



# FRONT DISCHARGE MIXER



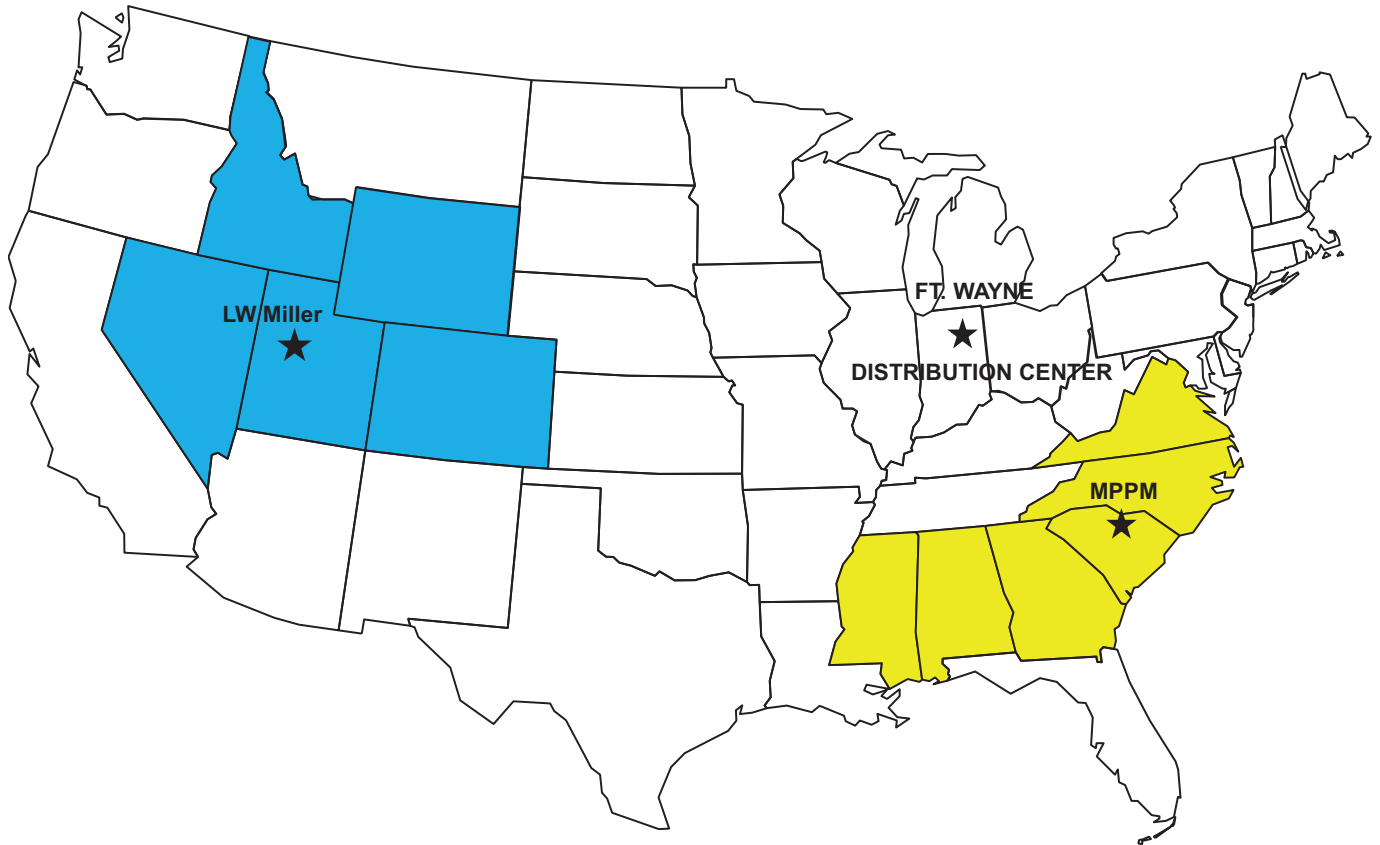
## FD PARTS MANUAL

MODEL YEAR 2013 TO PRESENT

Released: JAN 2016

Part No.: 30947 FDPB REV6

# TEREX ADVANCE DISTRIBUTION CENTERS



Three convenient locations to service all your mixer replacement part needs.



**TEREX<sup>®</sup>**

**(877) 327-2116**



This replacement parts guide for front discharge concrete mixer truck parts is not all-inclusive for every equipment model available. This catalog primarily covers mixers produced from model year 2013 to current.

If you need additional reference guides, or if you have questions or comments, please provide your pertinent mailing information (company name / address / phone / fax / e-mail), using any of the following:

**TEREX ADVANCE MIXER**

7727 Freedom Way,  
Fort Wayne, IN 46818  
Phone: 800.433.6691  
Fax: 260.497.0939  
[www.terexmixerparts.com](http://www.terexmixerparts.com)

**L.W. MILLER TRUCK &  
TRAILER REPAIR**

94 North 400 West  
North Salt Lake, UT  
Phone: 801.301.0600  
[www.lwmiller.com](http://www.lwmiller.com)

**MIXER & PLANT PARTS  
MFG**

1843 Tucker St.  
Rock Hill, SC  
Phone: 877.327.2116  
[www.mixerandplantparts.com](http://www.mixerandplantparts.com)

**© 2016 Terex Corporation - All Rights Reserved**

Terex® is a registered trademark of Terex Corporation in the United States of America and many other countries. Products and services listed may be trademarks, service marks, or trade names of Terex Corporation and/or its subsidiaries in the United States of America and other countries, and all rights are reserved.

No part of this manual may be reproduced in any way without the express prior written consent of Terex Corporation.

Protect your Terex mixer with genuine Terex replacement parts and service. Terex is committed to provide the highest quality OEM parts resulting in the lowest cost of ownership in the industry.

Thank you for your business

- Factory service technicians available for on-site diagnostics and repairs
- Visa® and MasterCard® accepted

## **Genuine Quality OEM Parts-Every Time.**



**(877) 327-2116**

## FD Mixer

### 1 FRAMES

- 1.1 FRAME COMPONENTS
- 1.3 ISX ENGINE MOUNTS
- 1.4 MTU ENGINE MOUNTS
- 1.5 PRIMAX SUSPENSION MOUNTS
- 1.6 NEWAY SUSPENSION MOUNTS

### 2 SUSPENSION

- 2.1 FRONT AXLE ASSEMBLY
- 2.2 TIE ROD, MARMON
- 2.3 AXLE HOUSING, MARMON
- 2.5 BRAKE KIT, MARMON
- 2.6 WHEEL HUB, BRAKE DRUM, MARMON
- 2.7 AXLE HOUSING, MERITOR
- 2.9 BRAKE KIT, MERITOR
- 2.10 LIFT AXLE  
HENDRICKSON COMPOSILITE
- 2.11 LIFT AXLE  
HENDRICKSON HLM
- 2.12 LIFT AXLE  
WC TRU-TRACK
- 2.13 HYDRAULIC TAG AXLE  
WATSON & CHALIN
- 2.14 AIR LIFT TAG AXLE  
HENDRICKSON UHA
- 2.15 TANDEM SUSPENSION  
HENDRICKSON PRIMAAX
- 2.17 TANDEM SUSPENSION  
HENDRICKSON NORDY
- 2.18 TANDEM SUSPENSION  
NEWAY

### 3 ENGINES

- 3.1 RADIATOR PACKAGE, ISX ENGINE
- 3.2 AIR INTAKE, ISX ENGINE
- 3.3 WATER & CAC PIPING,  
ISX ENGINE
- 3.4 ENGINE & TRANS MNTG ISX
- 3.5 FAN CLUTCH & RING SHROUD  
ISX
- 3.6 AFTERTREATMENT, SCR/DPF,  
ISX
- 3.7 ENGINE COMPONENTS, ISX
- 3.8 DEF TANK, ISX

- 3.9 RADIATOR PACKAGE,  
MTU ENGINE
- 3.10 AIR INTAKE, MTU ENGINE
- 3.11 WATER & CAC PIPING,  
MTU ENGINE
- 3.12 ENGINE & TRANS MNTG MTU
- 3.13 FAN CLUTCH & RING SHROUD  
MTU
- 3.14 AFTERTREATMENT, SCR/DPF,  
MTU
- 3.15 ENGINE COMPONENTS, MTU
- 3.16 DEF TANK-MTU
- 3.17 FUEL TANK

### 4 HOODS

- 4.1 HOOD MODEL YEAR 2015
- 4.3 HOOD MODEL YEAR 2010

### 5 POWER TRANSFER

- 5.1 TRANSFER CASE, CUSHMAN

### 6 CAB

- 6.1 CAB EXTERIOR
- 6.2 CAB INTERIOR
- 6.3 STANDARD CAB COMPONENTS
- 6.4 STANDARD CAB DOOR ASSY
- 6.5 WORKSPACE CAB COMPONENTS
- 6.6 WORKSPACE CAB DOOR ASSY
- 6.7 DASH, COMPLETE, STD, CAB
- 6.8 GAUGE PANEL, DASH, STD
- 6.9 DASH PANEL CONTROLS
- 6.10 CLIMATE CONTROLS & GAUGE  
PANEL
- 6.11 OVERHEAD CONSOLE
- 6.12 RIGHT SIDE CONSOLE
- 6.13 DASH, COMPLETE, WORK SPACE,  
CAB
- 6.14 DASH, GAUGE PANEL, WRKSPC
- 6.15 DASH, GAUGE PANEL, WRKSPC
- 6.16 DASH, CONTROL PANEL,  
WRKSPC
- 6.17 AUX. PANEL WRKSPC
- 6.18 OVER HEAD PANEL, WRKSPC
- 6.19 CONTROLS, ELECT/HYDR  
W/TRANS SELECT



## FD Mixer

- 6.20 CONTROLS STICK, ELECT/HYD W/TRANS
- 6.21 HVAC, HEATER/DEFROST, STANDARD CAB
- 6.22 HVAC, HEATER/DEFROST, AC STANDARD CAB
- 6.23 HVAC, HEATER/DEFROST WORKSPACE CAB
- 6.24 HVAC, HEATER/DEFROST, AC WORKSPACE CAB

### 7 FENDERS

- 7.1 FRONT FENDER, STSD
- 7.2 FRONT FENDER, CBSD
- 7.3 REAR FENDER 2010-2015
- 7.6 REAR FENDER 2016
- 7.8 REAR FENDERS MOUNTINGS
- 7.10 TAG AXLE FENDERS

### 8 OPTION ITEMS

- 8.1 BATTERY BOX
- 8.2 TOOL BOX, BUCKET HOLDER, ACCESS STEP
- 8.3 CAMERA / LIGHTING OPTIONS
- 8.4 MIRRORS
- 8.5 CAMERA SYSTEM SAFETY VISION
- 8.6 CAMERA SYSTEM BRIGADE
- 8.7 PUSHER AIR CONTROL BOX

### 9 UPRIGHTS

- 9.1 UPRIGHT ASSEMBLY
- 9.3 UPRIGHT W/FULL WRAP HANDRAIL
- 9.4 UPRIGHT W/TILT-DOWN HANDRAIL
- 9.5 CHARGE HOPPER
- 9.6 CHUTE SWING
- 9.7 UPRIGHT MOUNTS

### 10 PEDESTALS

- 10.1 DRIVE PEDESTAL
- 10.2 ROLLER PEDESTAL
- 10.3 UPRIGHT SUPPORTS

### 11 WATER SYSTEM

- 11.1 WATER TANK, ROAD SIDE SIGHT GAUGE
- 11.2 WATER TANK, CURB SIDE SIGHT GAUGE
- 11.3 WATER DISCHARGE SYSTEMS
- 11.4 WATER TANK PLUMBING SYSTEM
- 11.5 WATER TANK PLUMBING, STD
- 11.6 WATER TANK PLUMBING, REMOTE MOUNT
- 11.7 HEATED MANIFOLD, STD
- 11.8 HEATED MANIFOLD, REMOTE MOUNT
- 11.9 HEATED MANIFOLD
- 11.10 POLY FLAPPER VALVE
- 11.11 FLAP VALVE ASSY-W/SPRING

### 12 AIR SYSTEM

- 12.1 BRAKE TREADLE VALVE
- 12.2 LACM VALVE ASSY
- 12.3 BRAKE R8 RELAY VALVE
- 12.4 ABS VALVE, REAR
- 12.5 ABS VALVE, FRONT
- 12.6 ABS VALVE, FRONT, RELAY
- 12.7 IR-2 INVERSION VALVE
- 12.8 AIR TANK DRAIN ASSY
- 12.9 AIR TANK ASSEMBLY
- 12.11 TAG DOWN EMPTY OPTION
- 12.12 AIR DISTRIBUTION MANIFOLD
- 12.13 AIR SWITCH/32 PORT, MANIFOLD
- 12.14 CHUTE VIBRATOR

### 13 HYDRAULIC SYSTEMS

- 13.1 HYDRAULIC SYSTEM
- 13.2 HYDRAULIC RESERVOIR
- 13.3 HYDRAULIC MANIFOLD
- 13.4 HYDRAULIC TAG VALVE

### 14 ELECTRICALS

- 14.1 WIRING HARNESS, ISX
- 14.2 WIRING HARNESS, MTU
- 14.3 MIXER LIGHTING

## FD Mixer

### 15 CHUTES

- 15.1 CHUTE, HYD FLIP, 4 SECTION
- 15.2 CHUTE, HYD FLIP, 3 SECTION
- 15.3 MANUAL FLIP CHUTES
- 15.4 EXTENSION CHUTES
- 15.5 CHUTE CARRIER
- 15.6 CHUTE REST & MOUNTS
- 15.7 VERTICAL CHUTE HOLDER

### 16 BARRELS

- 16.1 FRONT & REAR DISCHARGE  
MIXER REPLACEMENT DRUMS
- 16.2 MEASUREMENT SHEET  
FRONT DISCHARGE DRUM
- 16.3 MEASUREMENT SHEET  
REAR DISCHARGE DRUM
- 16.4 FIN BREAKDOWN  
(FORMED FIN DESIGN)  
POST MARCH 2006
- 16.5 FIN BREAKDOWN  
(T-BLADE CONFIGURATION)  
PRE MARCH 2006

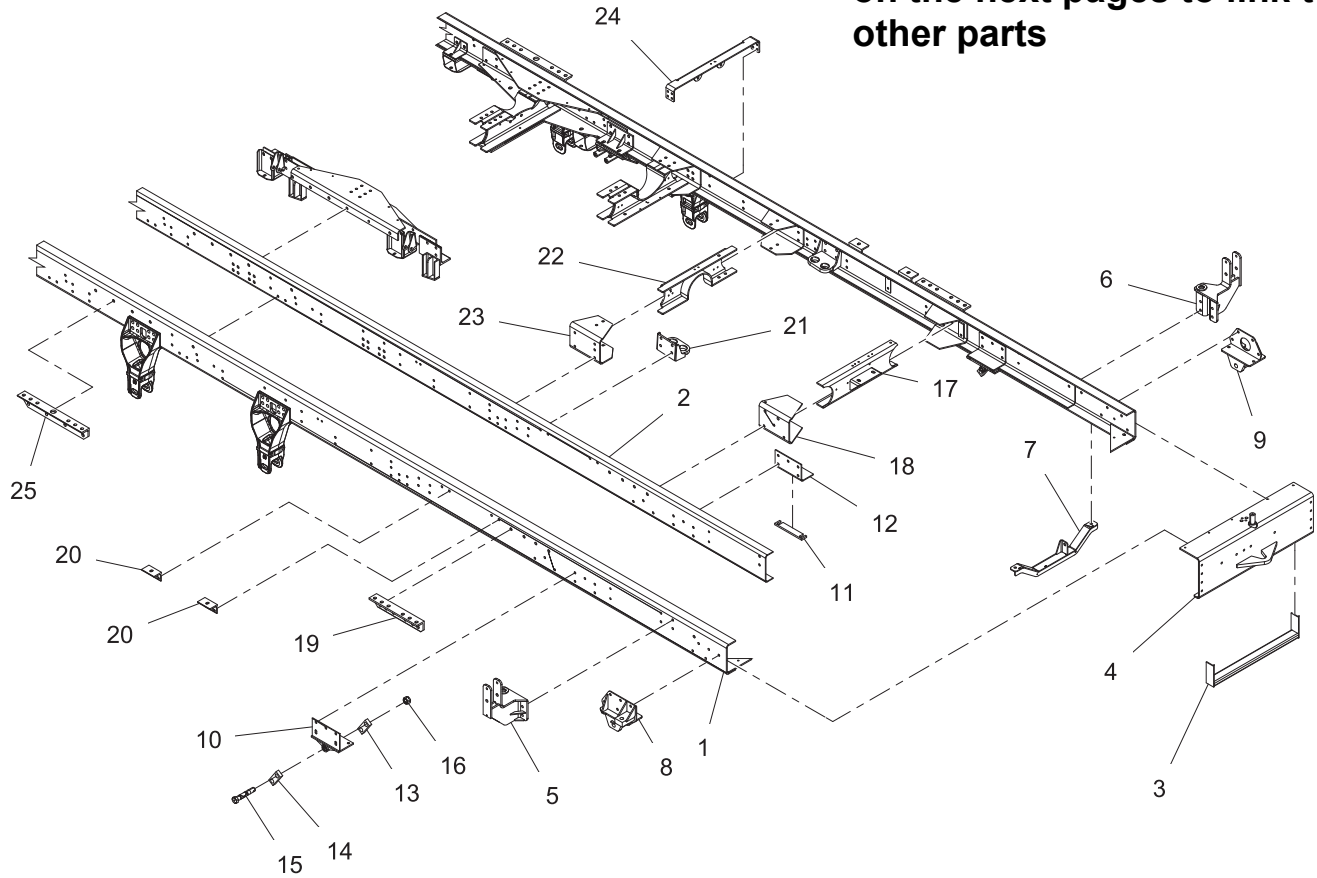
### 17 BOX FRAMES

- 17.1 BOX FRAME KITS

### 18 MISCELLANEOUS

- 18.1 MEASUREMENT SHEET  
FRONT DISCHARGE DRUM
- 18.2 FORMS

Click number attached to the part or the part numbers on the next pages to link to other parts

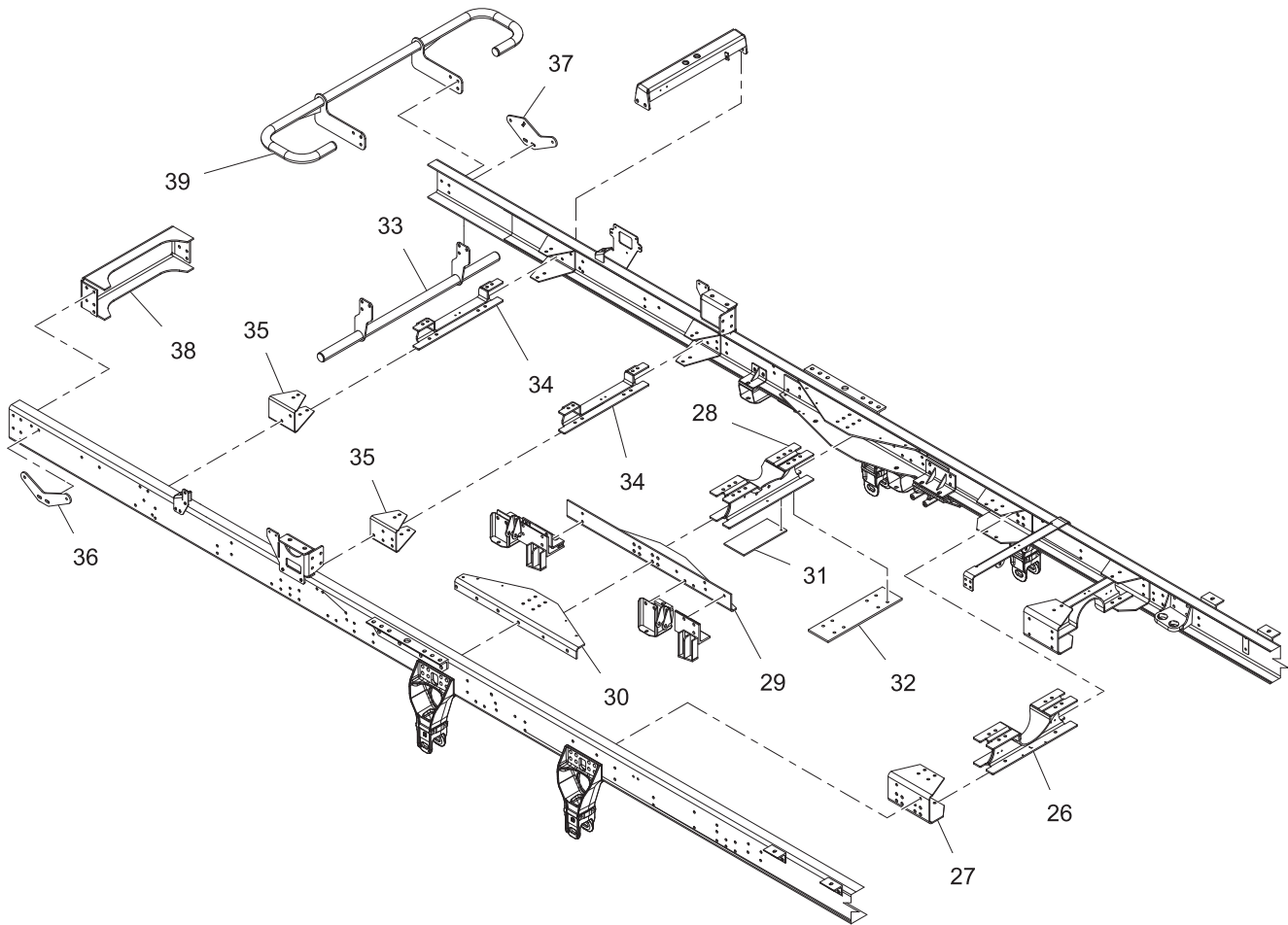


REF	PART NO.	DESCRIPTION	REF	PART NO.	DESCRIPTION
1	11200	Rail, Frame, 35'4"	13	13131	Block, Shackle, Inside, Front Axle
2	13412	Liner, Frame	14	13130	Block, Shackle, Outside, Front Axle
3	34534	WDMT, Weld-On FRT Bumper Under Ride	15	13119	Pin, Spring, Front Axle
4	33742	WDMT, X-MEMB #1, No Tow Bar	16	24246	Nut, Slotted HEX, 1-1/4"-7, PF
	33743	WDMT, X-MEMB #1, Single Short W/Slot	17	23211	WDMT, X-Member, #2
	33744	WDMT, X-MEMB #1, Double Short W/Hole	18	34938	12" Fishplate With 5" Shim
5	33483	WDMT, Upright Support, CBSD, MY13	19	18291	Angle, Front PED, Hold Down, Lower Skid, Water Tank, 3" (Angle)
6	33484	WDMT, Upright Support, RDS, MY13	20	24288	Skid, Water Tank, 3" (Angle)
7	33623	WDMT, X-Member, Steering Gear, MY13	21	33493	WDMT, BRKT, Transfer Case, MY13
8	33622	WDMT, Front Spring Hanger, CBSD, MY13	22	30191	WDMT, #3 Cross Member W/Frame Liner
9	33532	WDMT, Front Spring Hanger, RDS, MY13		30190	WDMT, #3 Cross Member, W/O Frame Liner
10	24164	WDMT, Rear Spring Hanger, Taper Leaf		11384	X-Member, #3 W/Cutout
11	24545	Spacer, Rear Spring Hanger (WO/Liner)	23	33490	Fishplate, HLM, W/Holes
	33999	Shim, Rear Spring Hanger, 5/8" (W/Liner)		11226	Fishplate, Cross Member, #2, 3 & 4
12	11230	Fishplate, Rear Spring Hanger (W/Liner)	24	21688	Bracket, Carrier Bearing
	23759	Fishplate, RR Spring Hanger (No Liner)	25	12778	Lower Pedestal Hold Down

WHEN ORDERING PARTS, SPECIFY MODEL NUMBER, SERIAL NUMBER AND DESCRIPTION OF PARTS REQUIRED

	<p><b>FRAME COMPONENTS</b></p>	<p>DATE: Released 01-2016</p>	<p><b>GROUP</b> <b>1</b></p>
		<p>MODEL: FD</p>	
		<p>PAGE: 1.1</p>	





REF	PART NO.	DESCRIPTION	REF	PART NO.	DESCRIPTION
26	30149	WDMT, X-Member, Front Air Ride, W/Liner	34	30178	WDMT, #6 X-Member W/Cutout W/Liner
	30152	WDMT, X-Member, Front Air Ride, W/O Liner		30177	WDMT, #6 X-Member W/Cutout W/O Liner
	34212	WDMT, Cross member, 4-1/2" Air Ride SUSP	35	23810	Fishplate, 9" #6 W/Holes
	20992	WDMT, X-Member, 4-1/2", Air Ride SUS	36	31818	Plate, MNT, Hood, Rear Pivot, CBSD
27	23172	Fishplate, 14, 5 Air Ride W/Holes		29703	Plate, Hood Mount, Rear Pivot, VEE
28	30199	WDMT, #5 X-Member, W/Frame Liner	37	31819	Plate, MNT, Hood, Rear Pivot, STSD
	30198	WDMT, #5 X-Member, W/O Frame Liner		34525	WDMT, Auto Latch, Hood Pivot
29	11247	Fishplate, Lower Tandem, Air Ride	38	20955	WDMT, #7, W/Tow Bar, DBL, Short, Hole
30	23171	Fishplate, Upper Tandem W/Holes		20950	WDMT, #7, W/Tow Bar, SGL, Short, Slot
31	24543	Shim, 3/8" X 6" X 15.25"		21764	X-Member, Rear Bolt-On
32	34652	Plate, TAND FRM BRKT TO XMBR		34223	XMBR, Rear Bolt-On W/HYD TAG
	28669	Plate, Frame BRKT, Air Ride, 26-1/4"		34222	WDMT, #7, Tow Bar DBL SHT W/Pin
33	29058	WDMT, Under Ride Protection		34220	WDMT, #7, Tow Bar, SGL, SHRT, Slot, HYDT2
			39	23240	WDMT, WRAP-Around Bumper, 70"
				30969	WDMT, WRAP-Around Bumper, 82"

WHEN ORDERING PARTS, SPECIFY MODEL NUMBER, SERIAL NUMBER AND DESCRIPTION OF PARTS REQUIRED



**FRAME COMPONENTS**

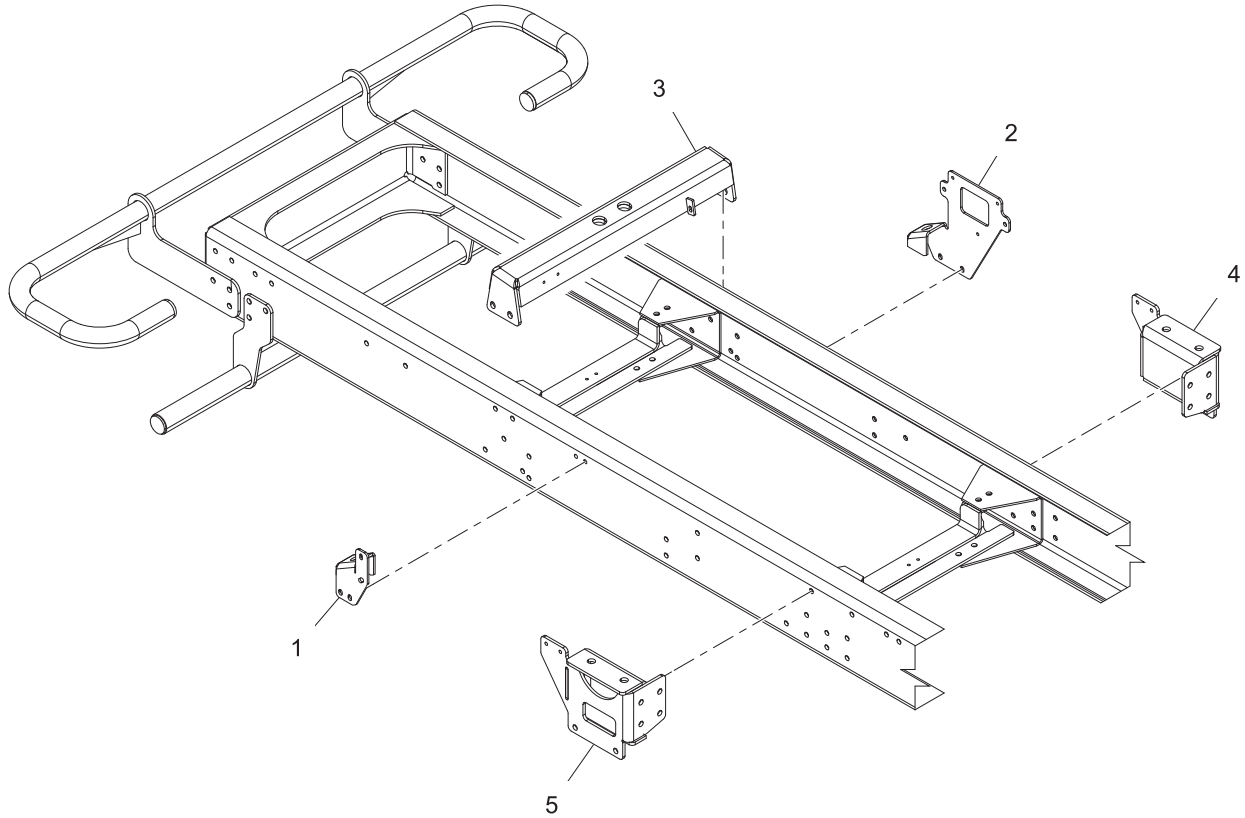
DATE: Released 01-2016

MODEL: FD

PAGE: 1.2

GROUP

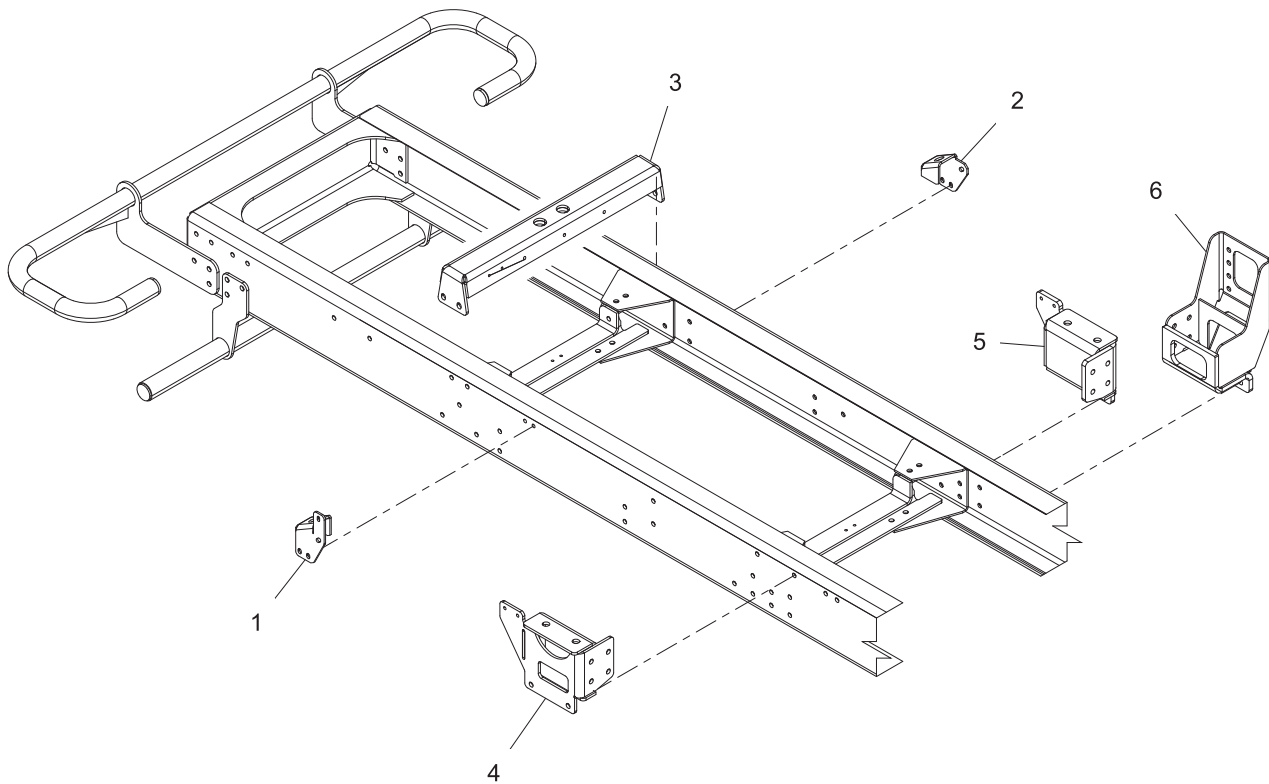
**1**



REF	PART NO.	DESCRIPTION	REF	PART NO.	DESCRIPTION
1	31801	BRKT, Lower Mounting, CBSD	4	31739	WDMT, MNT, ENG, LWR RDSD, ISX-11.9L
2	33978	BRKT, Lower Mounting, RDSD	5	31742	WDMT, MNT, ENG, LWR CBSD, ISX-11.9L
3	31758	WDMT, MNT, Engine, Front, EPA-2010			

WHEN ORDERING PARTS, SPECIFY MODEL NUMBER, SERIAL NUMBER AND DESCRIPTION OF PARTS REQUIRED

	<p style="text-align: center;"><b>ISX ENGINE MOUNTS</b></p>	DATE: Released 01-2016	<b>GROUP</b>  <b>1</b>
		MODEL: FD	
		PAGE: 1.3	



REF PART NO. DESCRIPTION

1	31801	BRKT, Lower Mounting, CBSD
2	31802	BRKT, Lower Mounting, RDSD
3	31973	WDMT, MNT, Engine, Front, EPA-2010

REF PART NO. DESCRIPTION

4	31742	WDMT, MNT, ENG, LWR CBSD, ISX-11.9L
5	33580	WDMT, Mount, Engine, LWR, MTU, SS, MY13
6	31996	WDMT, Mount, Lower, DPF/SCR, DD13

WHEN ORDERING PARTS, SPECIFY MODEL NUMBER, SERIAL NUMBER AND DESCRIPTION OF PARTS REQUIRED



**MTU ENGINE MOUNTS**

DATE: Released 01-2016

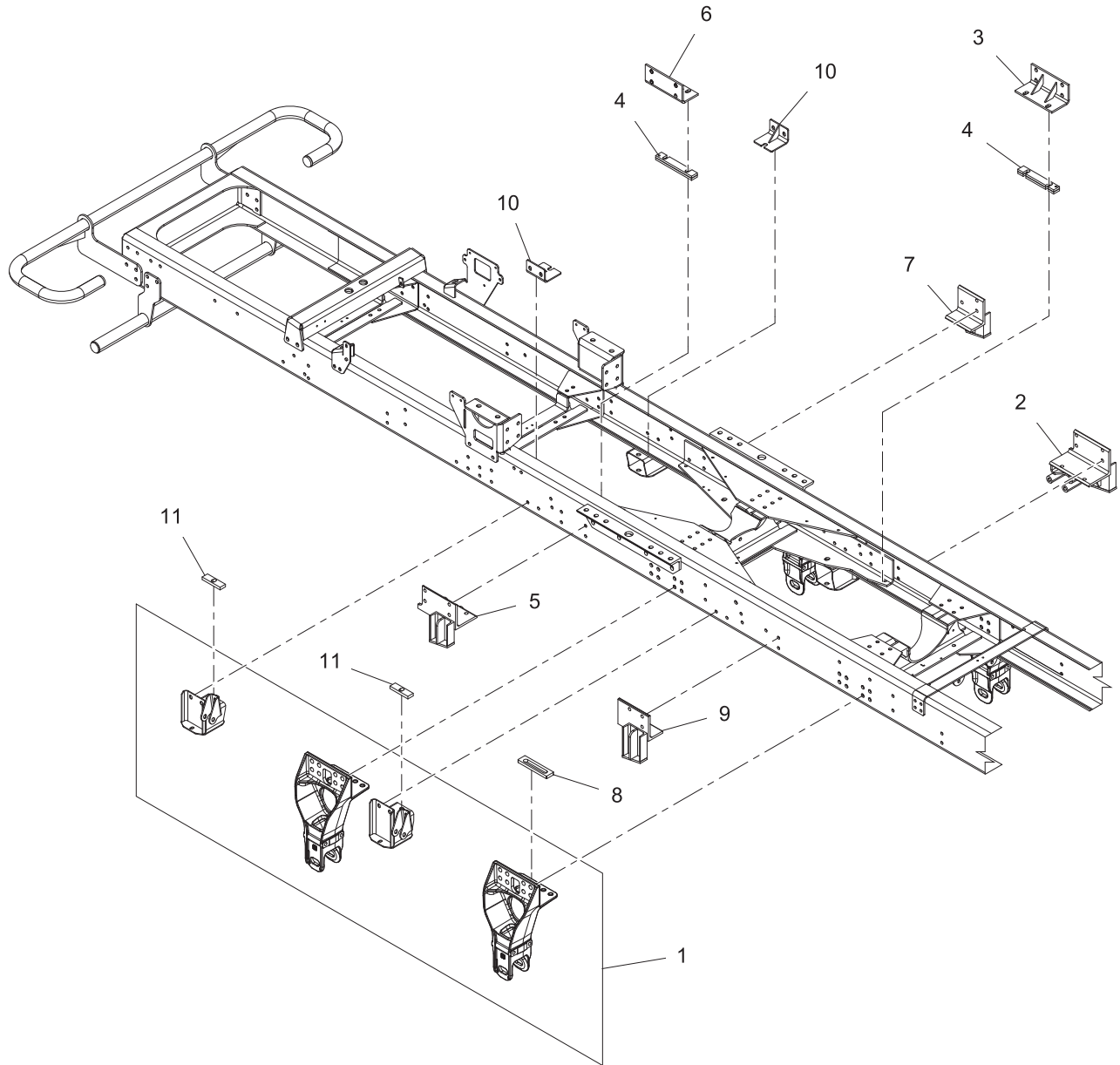
MODEL: FD

PAGE: 1.4

**GROUP**

**1**





REF PART NO. DESCRIPTION

1	31466	ASSY, Upper SUSP, Primax, MY-09
2	23554	WDMT, DT Axle Stop, RDSD, Primax
3	22530	WDMT, BRKT, Support, DT Axle Stop
4	33695	Shim, Frame, Axle Stop, DT
5	23558	WDMT, RT Axle Stop, CBSD, Primax
6	22531	WDMT, BRKT, Support, RT Axle Stop

REF PART NO. DESCRIPTION

7	23559	WDMT, RT Axle Stop, RDSD, Primax
8	33998	Shim, Knee, PRIMAX, DT, 5/8"
9	23561	WDMT, DT Axle Stop, CBSD, Primax
10	20272	Fishplate, RT Airbag
11	29560	Shim, Frame

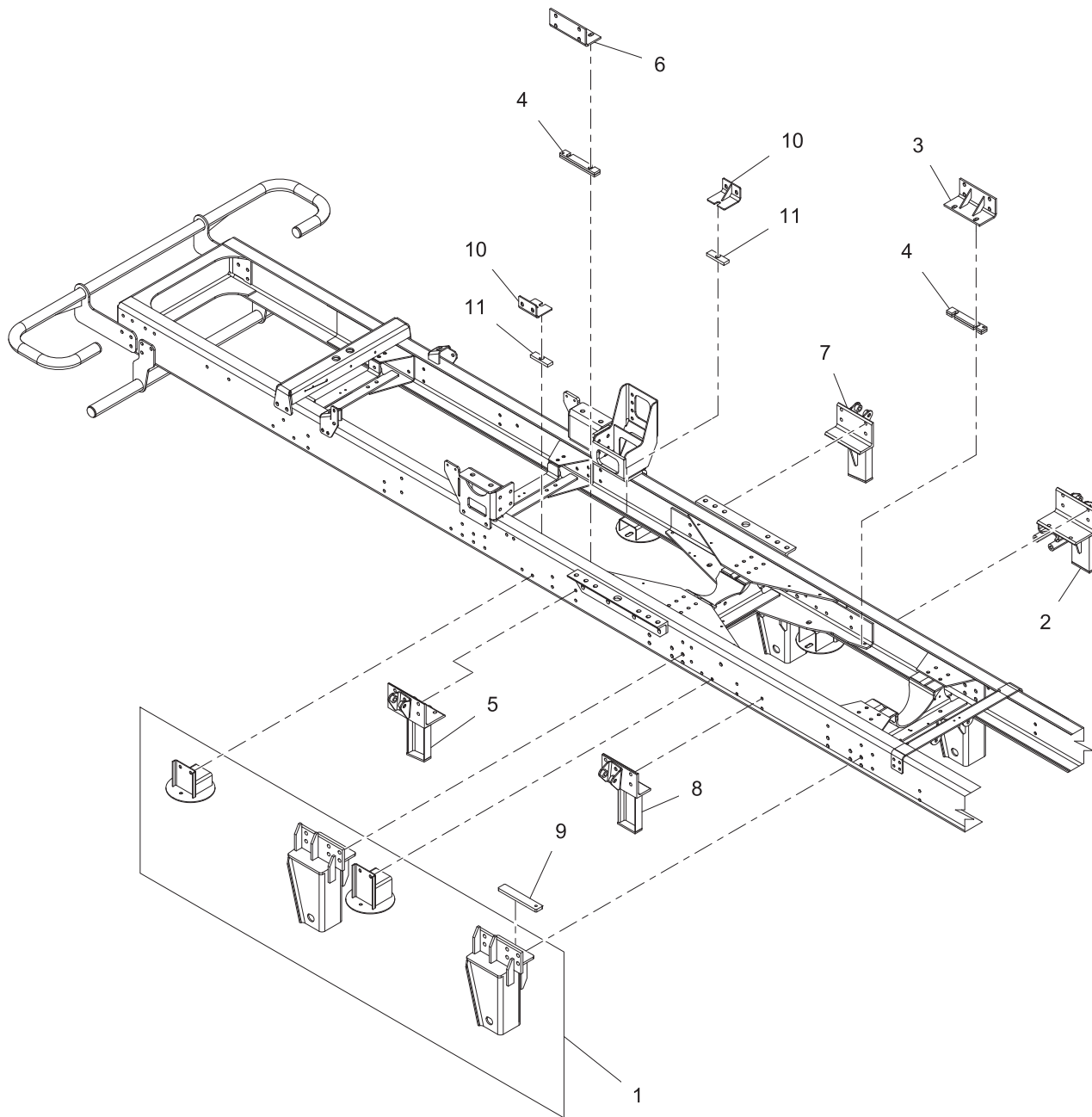
WHEN ORDERING PARTS, SPECIFY MODEL NUMBER, SERIAL NUMBER AND DESCRIPTION OF PARTS REQUIRED



**PRIMAX SUSPENSION MOUNTS**

DATE: Released 01-2016  
 MODEL: FD  
 PAGE: 1.5

**GROUP**  
**1**



REF	PART NO.	DESCRIPTION	REF	PART NO.	DESCRIPTION
1	34818	Kit, Tandem SUSP, Neway BAT-Pin Upper	7	34502	WDMT, RT Axle Stop, RDSD Neway
2	34500	WDMT, DT Axle Stop, RDSD Neway	8	34503	WDMT, DT Axle Stop, CBSD Neway
3	22530	WDMT, BRKT, Support, DT Axle Stop	9	33997	Shim, 5/8" X 11"
4	33695	Shim, Frame, Axle Stop, DT	10	20272	Fishplate, RT Airbag
5	34501	WDMT, RT Axle Stop, CBSD Neway	11	29560	Shim, Frame
6	22531	WDMT, BRKT, Support, RT Axle Stop			

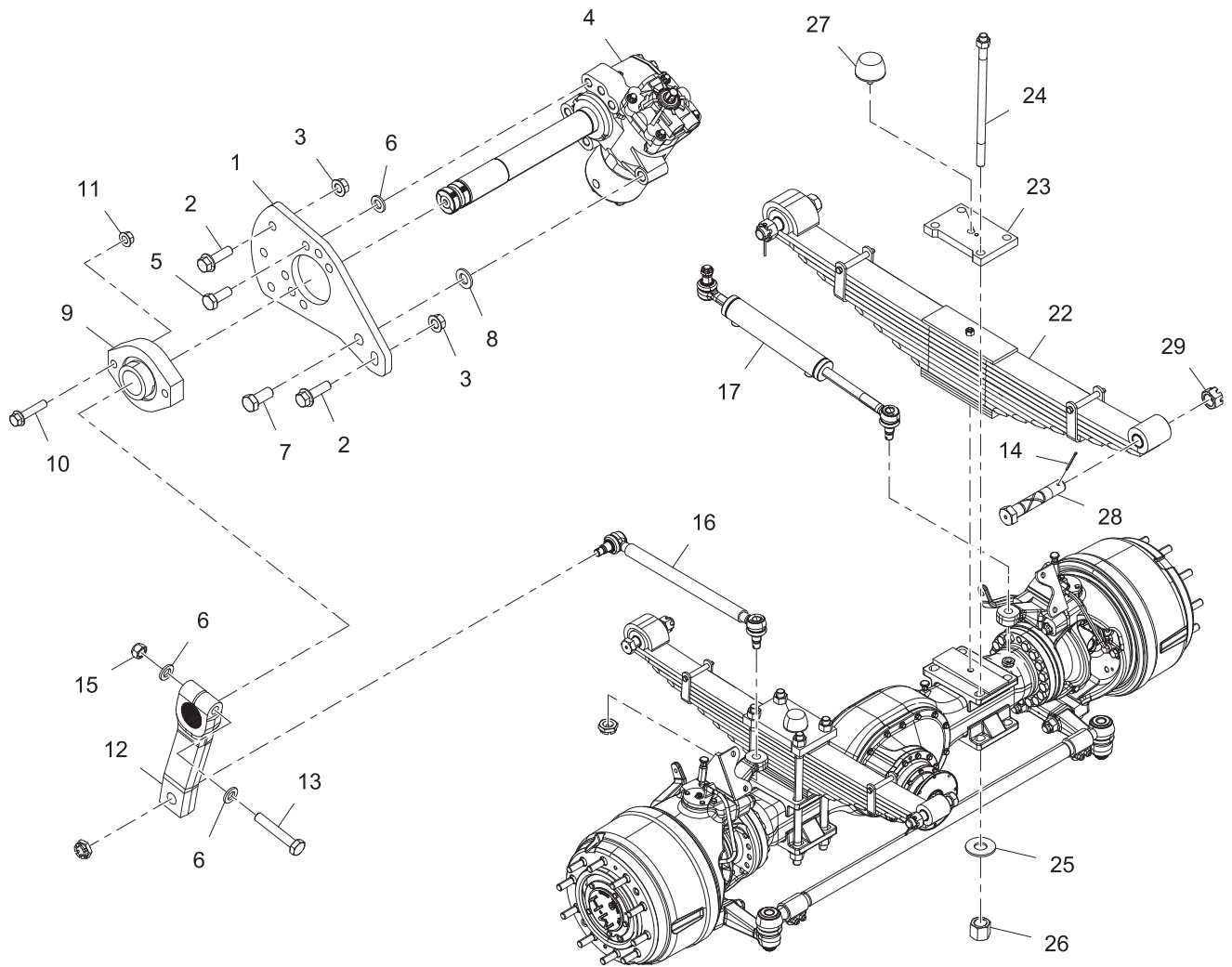
WHEN ORDERING PARTS, SPECIFY MODEL NUMBER, SERIAL NUMBER AND DESCRIPTION OF PARTS REQUIRED



**NEWAY SUSPENSION MOUNTS**

DATE: Released 01-2016  
 MODEL: FD  
 PAGE: 1.6

**GROUP**  
**1**



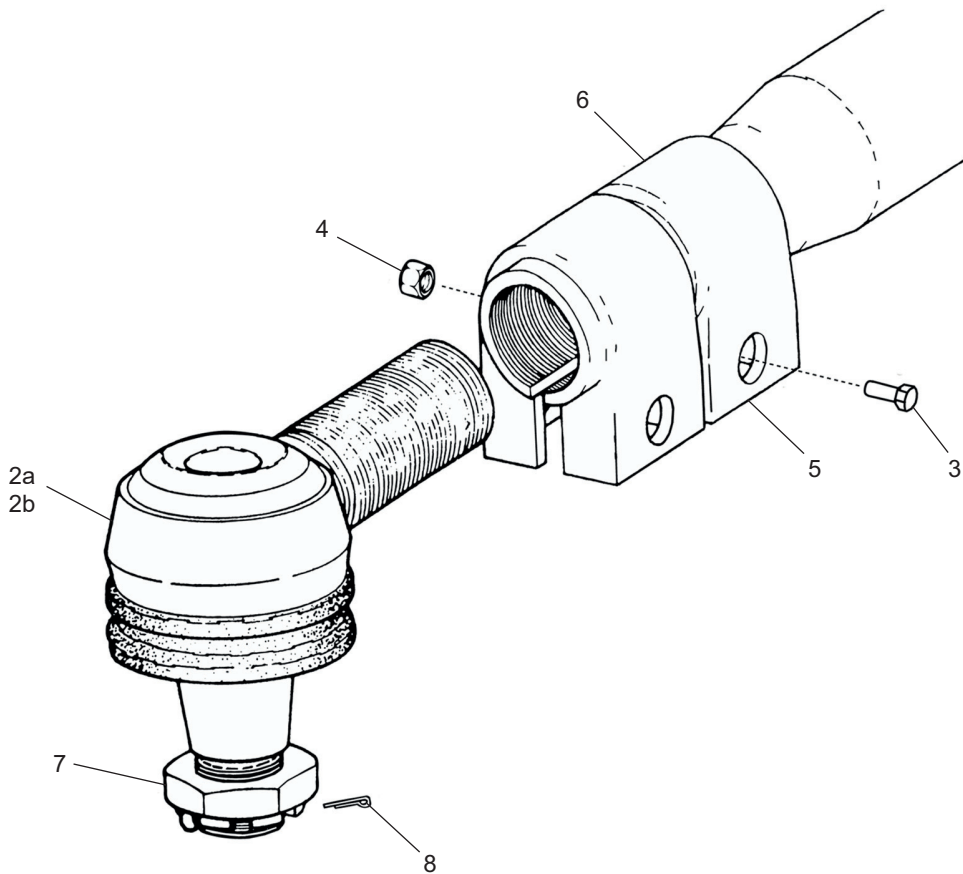
REF	PART NO.	DESCRIPTION	QTY	REF	PART NO.	DESCRIPTION	QTY
1	33628	Plate, MNTG, Steering Gear, Rear, MY13 .....	1	17	33709	ASSY, CYL, Steering, W/Sockets, MY13 .....	1
2	14463	Bolt, Flange, 3/4-16 X 2-1/2, GR8 .....	4	18*	12212	FTG, ADPT, Elbow, O-Ring X 37 FLR. 6-8 .....	2
3	14460	Nut, Lock Flange, 3/4-16, GR8 .....	4	19*	12173	FTG, ADPT, SAE, O-Ring X 37 FLR. 6-8 .....	2
4	17479	Gear, Steering, TAS .....	1	20*	23093	Hose ASSY, -08 HYD 25.5" STRG CYL .....	1
5	19162	Bolt, HHCS, 3/4-16 X 2, GR8 .....	6	21*	23094	Hose ASSY, -08 HYD 35.5" STRG CYL .....	1
6	19039	Washer, Flat, 3/4 A325 .....	10	22	30270	Spring Pack, Leaf, Front Axle .....	2
7	19247	Bolt, HHCS, 7/8-14 X 2, GR8 .....	1	23	34213	Plate, Top Spring, Front Axle .....	2
8	19075	Washer, Flat, 7/8 GR2 .....	1	24	29914	WDMT, Bolt, Front Axle Tie-Down .....	8
9	13149	ASSY, Pillow Block, Steering Shaft ....	1	25	19088	Washer, Flat, 1", ASTM F436, Plain ...	8
10	14466	Bolt, FLNG, 5/8"-18 X 3-1/2", PO, GR8 .....	2	26	11397	Nut, High HEX, 1"-14, GR8 .....	8
11	14461	Nut, Lock, Flange, 5/8"-18, GR8 .....	2	27	33639	Front Axle Overload, Single STUD .....	2
12	33626	Pitman Arm, MY 2013 Design .....	1	28	13119	Pin, Spring, Front Axle .....	4
13	19211	Bolt, HHCS, 3/4-10 X 4-1/2, GR8 .....	2	29	24246	Nut, Slotted HEX, 1-1/4"-7, PF .....	4
14	19193	Pin, Cotter, 3/16" X 3-1/2", GR2 .....	4				
15	19343	Nut, Auto Style, 3/4-10, GRC .....	2				
16	33531	Drag Link, MY13 FD .....	1				

\*ITEMS 18 TO 21 ARE NOT SHOWN IN THE ILLUSTRATION

WHEN ORDERING PARTS, SPECIFY MODEL NUMBER, SERIAL NUMBER AND DESCRIPTION OF PARTS REQUIRED

	<h2>FRONT AXLE ASSEMBLY</h2>	DATE: Released 01-2016	<b>GROUP</b>  <b>2</b>
		MODEL: FD	
		PAGE: 2.1	



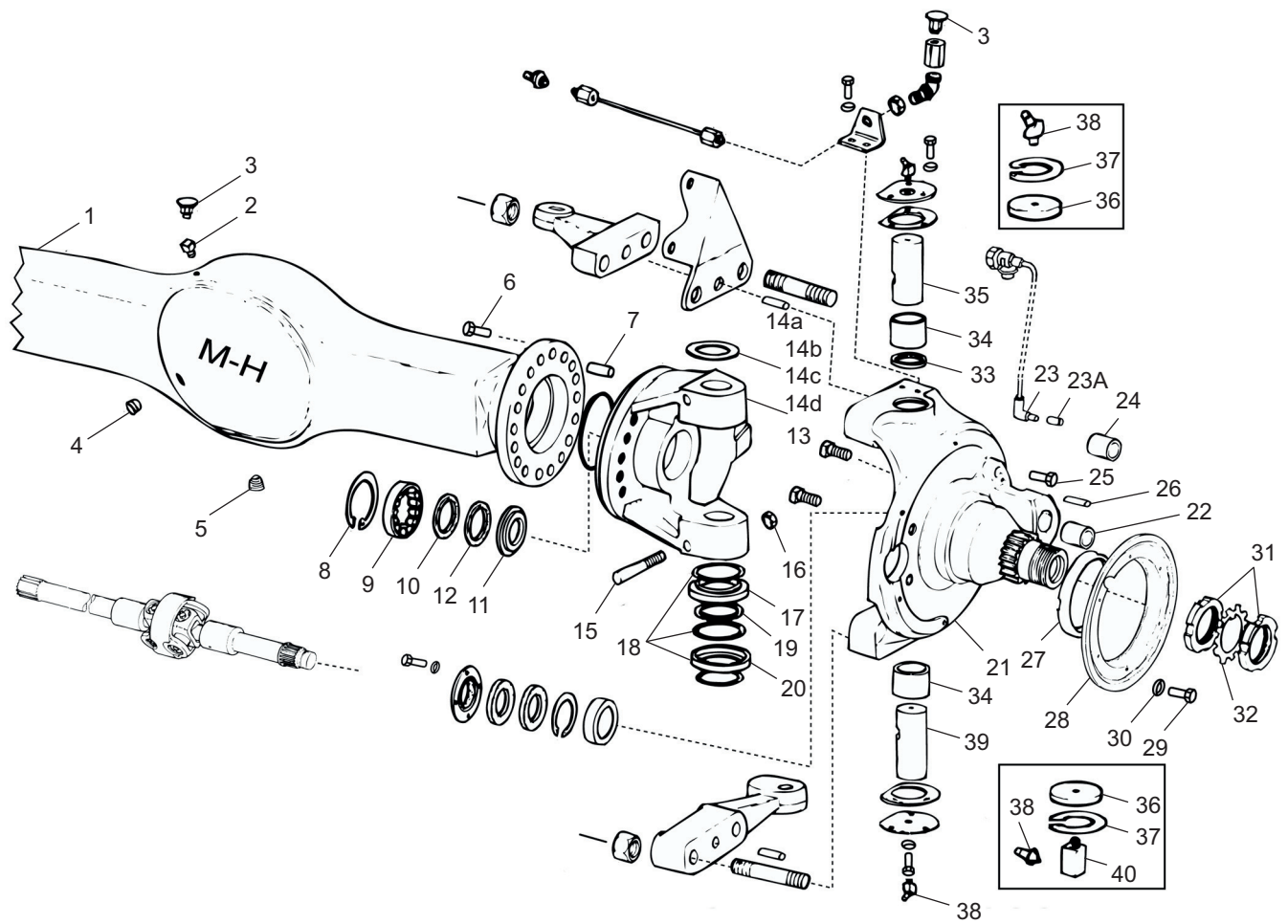


REF	PART NO.	DESCRIPTION	REF	PART NO.	DESCRIPTION
1*		Tie Rod Assembly (Includes Items #2 thru 8)	5		Cotter Pin, 1/8" X 1-1/2"
2	16764	Ball Stud ASSY., R.H.	6	16767	Tie Rod
	16765	Ball Stud ASSY., L.H.	7		Castle Nut
3		HEX Bolt, Special	8		Cotter Pin, 1/4" X 2"
4		Castle Nut, M16 X 1.5			

\*ITEM 1 IS NOT SHOWN IN THE ILLUSTRATION

WHEN ORDERING PARTS, SPECIFY MODEL NUMBER, SERIAL NUMBER AND DESCRIPTION OF PARTS REQUIRED

	<b>TIE ROD, MARMON</b>	DATE: Released 01-2016	<b>GROUP 2</b>
		MODEL: FD	
		PAGE: 2.2	



REF	PART NO.	DESCRIPTION	REF	PART NO.	DESCRIPTION
1		Axle Housing	21		Knuckle - Spindle ASSY., L.H.
2		Vent Extension			Knuckle - Spindle ASSY., R.H.
3	16686	Vent			Knuckle ASSY., L.H.
4	16687	Fill Plug			Knuckle ASSY., R.H.
5	16688	Drain Plug, Magnetic	22		Pin, Brake Shoe (MT22/R Only)
6	16705	Hex Bolt, Special	23		ABS Sensor (Wabco)
7		Dowel Pin			ABS Sensor (Bendix)
8		Snap Ring	23A		Sensor Spring Clip
9	16707	Roller Bearing, Axle Shaft, Inner	24		Bushing, Brake Shoe Pin (MT22N Only)
10	16708	Oil Seal, Axle Shaft, Inner	25		Hex Bolt, Special
11	16709	Seal Holder	26		Dowel Pin
12	16710	Felt Wiper	27		Wear Sleeve Hub Seal (MT22 Only)
13		Yoke Housing, L.H.	28		Dust Shield
		Yoke Housing, R.H.	29		HEX Bolt, M8 X 16
14	16711	Shim, Trunnion, 1.00 MM	30		Lock Washer, M8
	16712	Shim, Trunnion, 1.20 MM	31	16739	Nut, Wheel Bearing
	16713	Shim, Trunnion, 0.40 MM	32	16740	Lock Ring, Wheel Bearing
	16714	Shim, Trunnion, 0.60 MM	33	16723	Oil Seal, Trunnion Pin
		Shim, Trunnion, 1.40 MM	34	16724	Trunnion Pin Bushing
15	16715	Lock Pin	35	16727	Trunnion Pin, Upper (Short)
16	16716	Hex Nut, Fine Thread, M16 X 1.5	36	16728	Cover, Trunnion Pin
17	16717	Bearing Case, Upper	37	16731	Snap Ring
18	16718	O Ring	38		Grease Fitting 45°
19	16719	Thrust Disk	39	16732	Trunnion Pin, Lower (Long)
20	16720	Bearing Case, Lower	40	16733	Adapter

WHEN ORDERING PARTS, SPECIFY MODEL NUMBER, SERIAL NUMBER AND DESCRIPTION OF PARTS REQUIRED

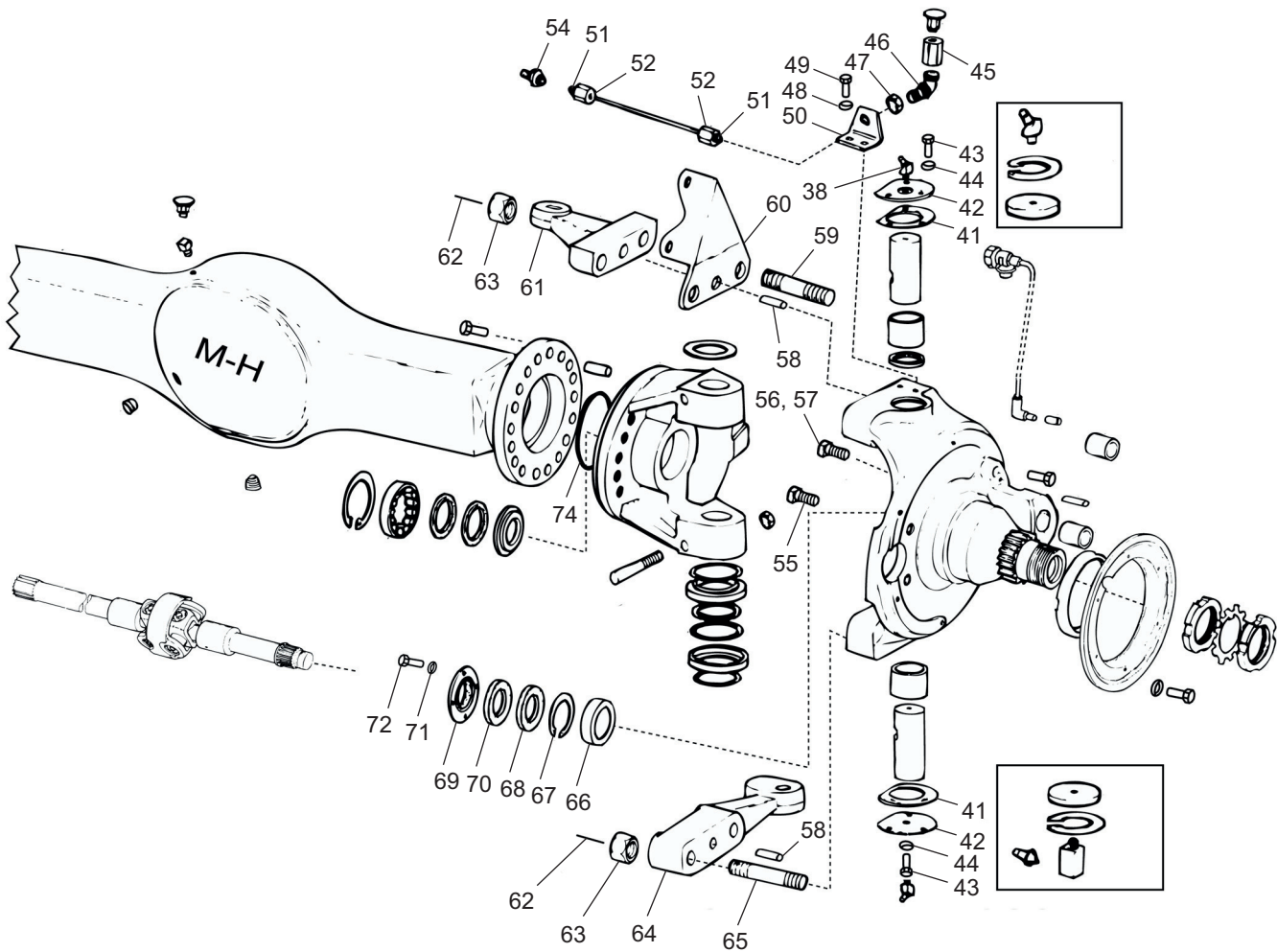


**AXLE HOUSING,  
MARMON**

DATE: Released 01-2016  
 MODEL: FD  
 PAGE: 2.3

**GROUP**

**2**

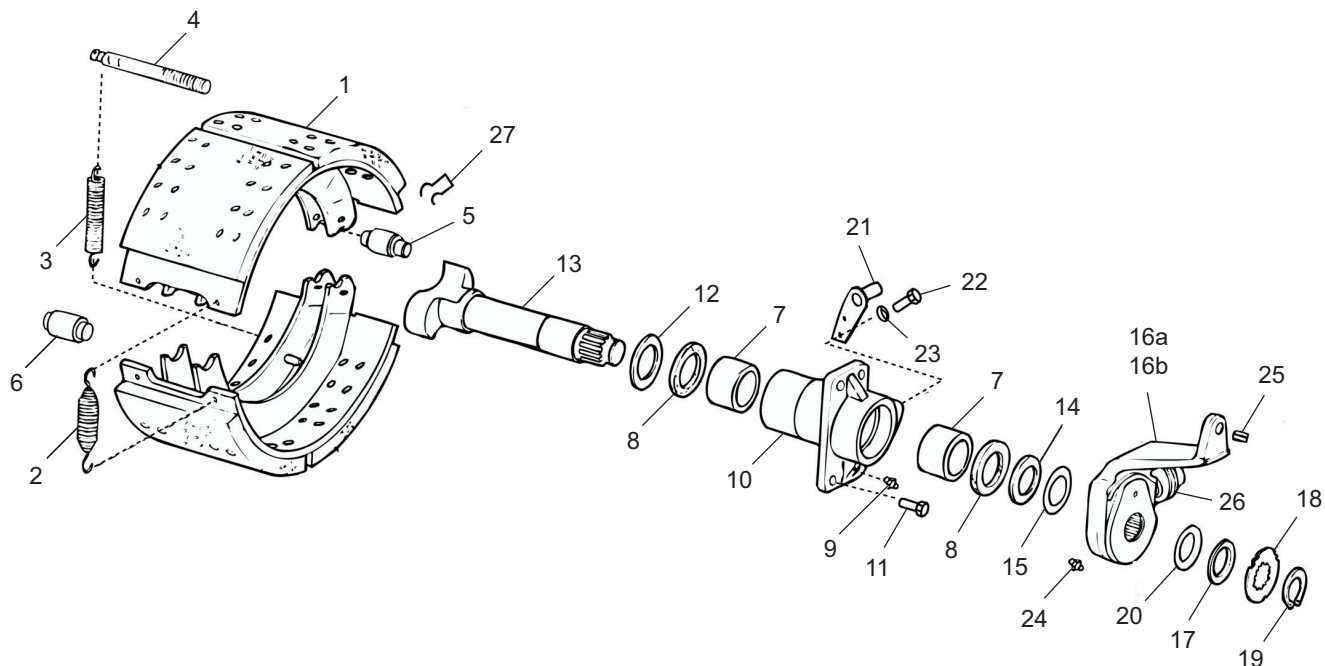


REF	PART NO.	DESCRIPTION	REF	PART NO.	DESCRIPTION
41	16730	Trunnion Cover Gasket	61		Steering Arm, L.H.
42	16729	Trunnion Cover			Steering Arm, R.H.
43		Bolt M8 X 20 - 1.25	62		Lock Wire
44		Lock Washer M8	63		Castle Nut
45		Adapter Fitting	64		Tie Rod Arm, L.H.
46		Elbow Fitting, Vent			Tie Rod Arm, L.H. (0000, 11, 06)
47		Jam Nut			Tie Rod Arm, R.H.
48		Lock Washer, M10			Tie Rod Arm, R.H. (0000, 11, 06)
49		HEX Bolt, M10 X 25	65		Stud, Tie Rod Arm
50		Bracket, Vent, L.H.			Stud, Steering Arm/ Tie Rod Arm (0000, 11, 06)
51		Retaining Ring	66	16734	Roller Bearing, Axle Shaft, Outer
52		Union Nut	67	16735	Snap Ring
53*		Tube Vent, L.H. (Includes Items #51 and 52)	68	16736	Oil Seal, Axle Shaft, Outer
		Tube Vent, R.H.	69	16737	Dust Shield, Axle Shaft
54		Pipe Fitting	70	24351	Felt
55		Bolt M20 X 60 - 1.5	71		Lock Washer, M6
56		Bolt, Turn Stop M20 X 47 - 1.5 Bolt, Turn Stop M20 X 80 - 1.5	72		HEX Bolt, M6 X 12
57		HEX Nut, Special	73*	30848	Thrust Bearing Kit (Includes Items #17, 18, 19 and 20)
58		Dowel Pin	74		O-Ring (119 X 5)
59		Stud, Steering Arm	75*	31284	Seal Holder Assembly (Includes Items #10, 11 and 12)
60		Brake Chamber Bracket, L.H. Brake Chamber Bracket, R.H.			

\*ITEMS 53, 73 & 75 ARE NOT SHOWN IN THE ILLUSTRATION

WHEN ORDERING PARTS, SPECIFY MODEL NUMBER, SERIAL NUMBER AND DESCRIPTION OF PARTS REQUIRED

	<b>AXLE HOUSING, MARMON</b>	DATE: Released 01-2016	<b>GROUP 2</b>
		MODEL: FD	
		PAGE: 2.4	

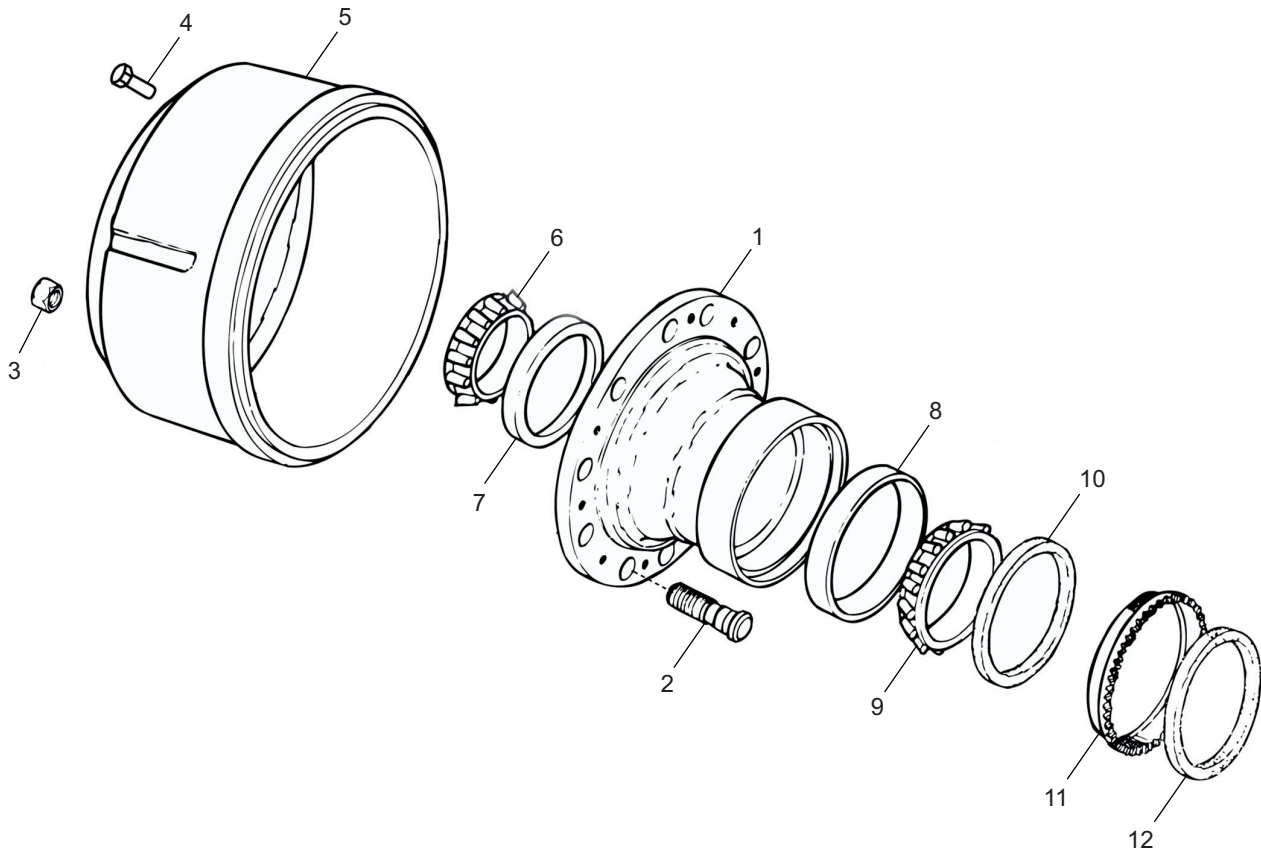


REF	PART NO.	DESCRIPTION	REF	PART NO.	DESCRIPTION
1	33292	Brake Shoe ASSY. (MT22N/H Only)	16	31402	Automatic Slack Adj., L.H. (MT22N/H Only)
2	16691	Return Spring, Long (MT22/R Only)		31403	Automatic Slack Adj., R.H. (MT22N/H Only)
3	16692	Return Spring, Short			Slack Adjuster, L.H. (MT22/R Only)
4		Pin, Spring Support			Slack Adjuster, R.H. (MT22/R Only)
5	24315	Brake Shoe Roller (MT22N/H Only)	17		Spacer
6		Brake Shoe Pin (MT22N/H Only)	18		Wear Indication Disk
7	16761	Bushing	19		Snap Ring
8	16760	Oil Seal	20		Snap Ring
9		Grease Fitting, 1/8	21		Bumper ASSY., L.H. (MT22N/H Only)
10		Spanner Housing ASSY., L.H. (Includes Items #7, 8 and 9)	22		Bumper ASSY., R.H. (MT22N/H Only)
		Spanner Housing ASSY., R.H. (Includes Items #7, 8 and 9)	23		Bolt M8 X 14 - 1.25 (MT22N/H Only)
11		Hex Bolt Special	24		Lock Washer M8
12		Washer, Special			Grease Fitting, 1/8
13		Cam Shaft, L.H. (MT22N/H Only)			Grease Fitting, M8 X 1.00
		Cam Shaft, R.H. (MT22N/H Only)	25		Bushing
		Brake Spanner, L.H. (MT22/R Only)	26		Cap, Automatic Slack Adj., L.H.
		Brake Spanner, R.H. (MT22/R Only)			Cap, Automatic Slack Adj., R.H.
14		Spacer (MT22N/H Only)			Bolt, M8 X 16 - 1.25
		Spacer	27		Bolt, M6 X 20 - 1.00
15		Shim, 0.50 MM (MT22N/H Only)	28*		Roller Spring (Optional)
		Shim, 0.50 MM			Brake Spring and Roller Kit (MT22N/H Only) (Includes Items #2, 3, 5, 6, 27)

\*ITEM 28 IS NOT SHOWN IN THE ILLUSTRATION

WHEN ORDERING PARTS, SPECIFY MODEL NUMBER, SERIAL NUMBER AND DESCRIPTION OF PARTS REQUIRED

	<b>BRAKE KIT, MARMON</b>	DATE: Released 01-2016	<b>GROUP 2</b>
		MODEL: FD	
		PAGE: 2.5	



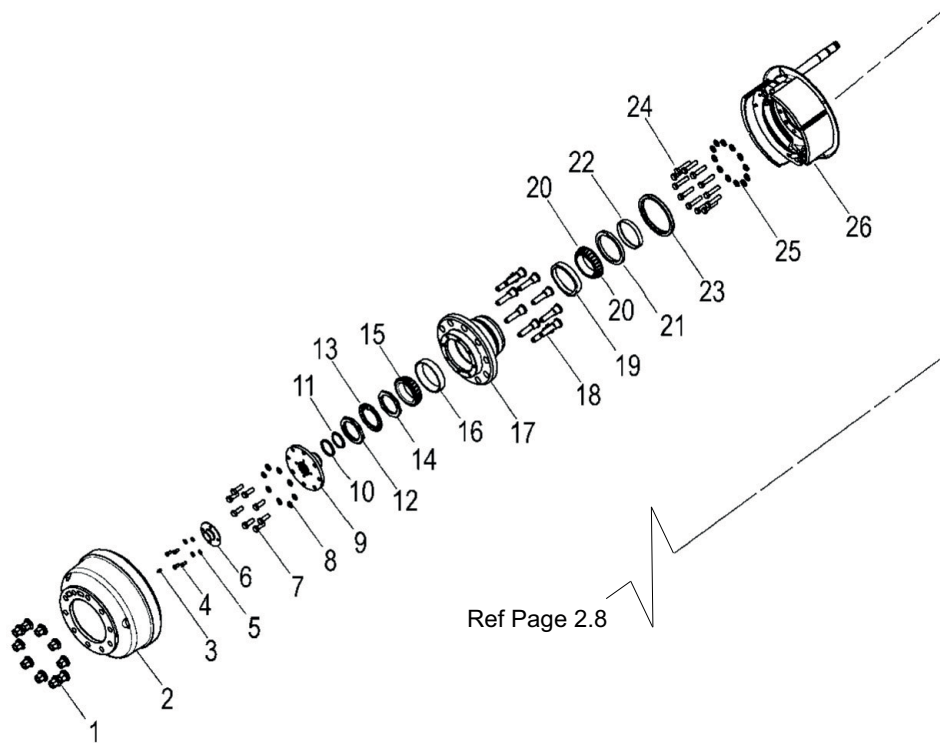
REF	PART NO.	DESCRIPTION	REF	PART NO.	DESCRIPTION
1		Hub ASSY. (MT22 Only) (Includes Items #2, 7, 8, 9, 10)	5	23459	Brake Drum
		Hub ASSY. (MT22R/N Only) (Includes Items #2, 6, 7, 8, 9, 11, 12)	6	16753	Wheel Bearing, Cone, Outer
		Hub ASSY. (MT22H Only) (Includes Items #2, 6, 7, 8, 9, 11, 12)	7	16754	Wheel Bearing, Cup, Outer
		Hub ASSY., L.H. (MT22N Only) (Includes Items #2, 6, 7, 8, 9, 11, 12)	8	16757	Wheel Bearing, Cup, Inner
2	20535	Wheel Stud Hub Pilot (MT22H Only)	9	16758	Wheel Bearing, Cone, Inner
3	10252	Flange Wheel Nut (MT22H Only)	10	16759	Oil Seal, Hub (MT22 Only)
4		HEX Bolt, M10 X 40	11		Exciter Ring (MT22R/N/H Only)
			12	16775	Hub Seal (MT22R/N/H Only)
			13*		Bearing Kit Hub (Includes Items #6, 7, 8, 9)

\*ITEM 13 IS NOT SHOWN IN THE ILLUSTRATION

WHEN ORDERING PARTS, SPECIFY MODEL NUMBER, SERIAL NUMBER AND DESCRIPTION OF PARTS REQUIRED

	<b>WHEEL HUB, BRAKE DRUM, MARMON</b>	DATE: Released 01-2016	<b>GROUP 2</b>
		MODEL: FD	
		PAGE: 2.6	



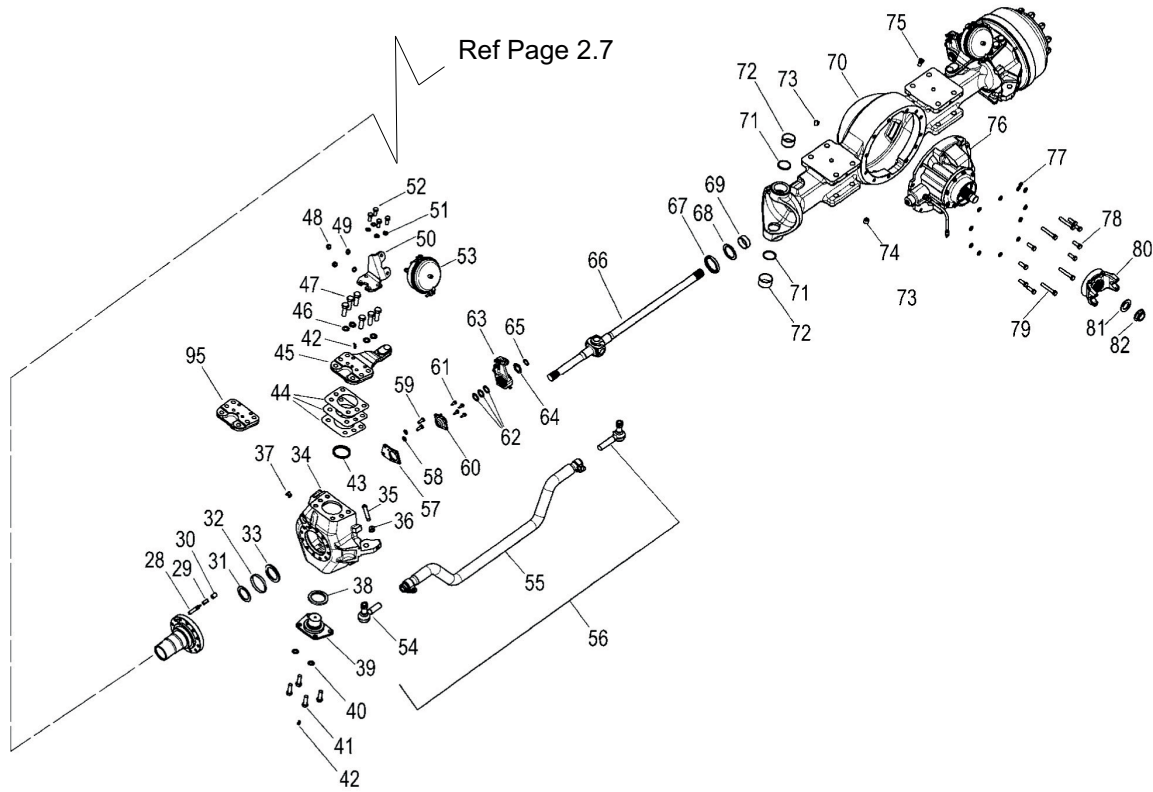


Ref Page 2.8

REF	PART NO.	DESCRIPTION	REF	PART NO.	DESCRIPTION
1	10252	Wheel Nut	15	13628	Outer Bearing Cone
2	19471	Brake Drum	16	13627	Outer Bearing Cup
3		Grease Fitting	17		Hub Assembly
4		Capscrews - Cover Plate	18	28960	Wheel Studs
5		Washers - Cover Plate	19	20373	Inner Bearing Cup
6		Cover Plate	20	13561	Inner Bearing Cone
7		Capscrews - Drive Flange	21	15001	Grease Seal
8		Washers - Drive Flange	22	11566	Oil Seal Sleeve - Outer
9		Drive Flange	23	34748	ABS Tone Ring
10	13642	Felt - Drive Flange	24		Capscrews - Brake Assembly
11	11609	Retainer - Drive Flange	25		Washers - Brake Assembly
12	11652	Outer Adjusting Nut	26		Brake Assembly (L.H)
13	11662	Lock Washer			Brake Assembly (R.H)
14	11650	Inner Adjusting Nut			

WHEN ORDERING PARTS, SPECIFY MODEL NUMBER, SERIAL NUMBER AND DESCRIPTION OF PARTS REQUIRED

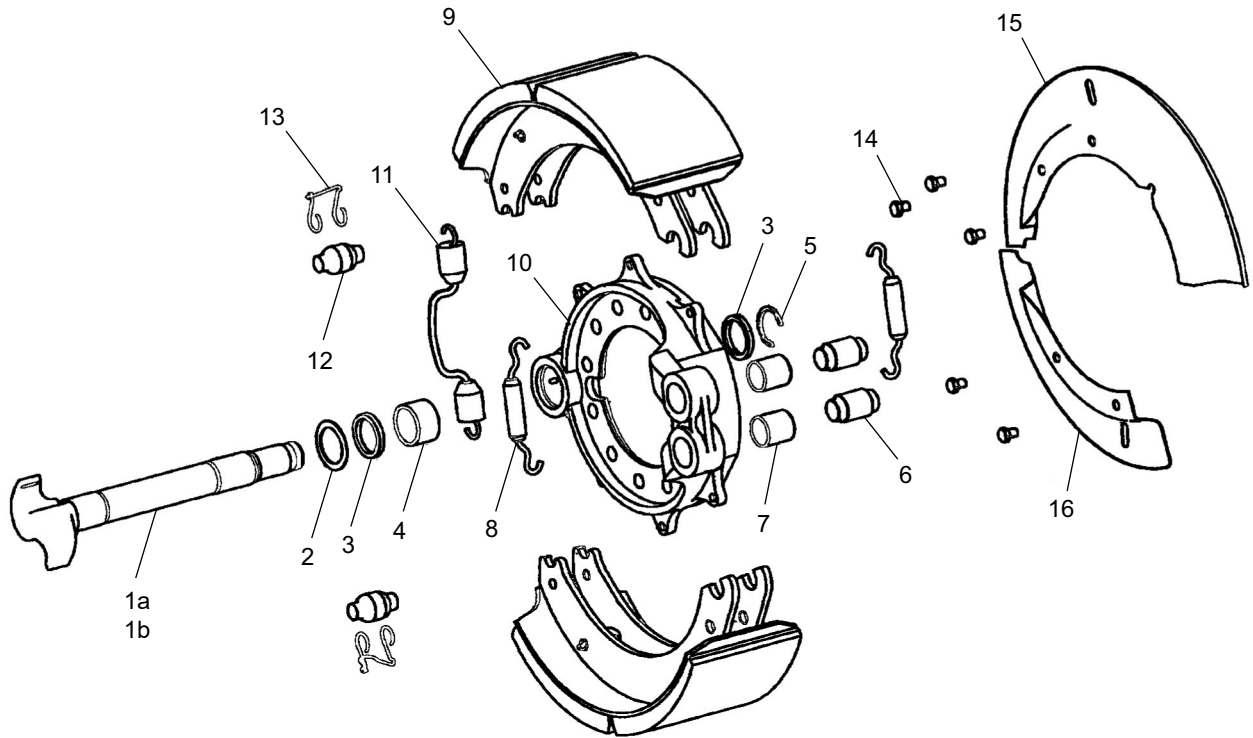
	<b>AXLE HOUSING, MERITOR</b>	DATE: Released 01-2016	<b>GROUP 2</b>
		MODEL: FD	
		PAGE: 2.7	



REF	PART NO.	DESCRIPTION	REF	PART NO.	DESCRIPTION
27		Spindle Assembly (L.H) Spindle Assembly (R.H)	54	<a href="#">23932</a>	Tie Rod End (L.H)
28		ABS Sensor Assembly		<a href="#">14952</a>	Tie Rod End (R.H)
29		ABS Clip	55		Cross Tube w/Clamps (Standard Track) Cross Tube w/Clamps (Wide Track)
30		ABS Bushing	56	<a href="#">14951</a>	Tie Rod Assembly (Standard Track) Tie Rod Assembly (Wide Track)
31	<a href="#">11671</a>	Thrust Washer	57		Camshaft Bracket
32	<a href="#">13007</a>	Oil Seal Sleeve - Inner	58		Washers - Camshaft Bracket
33	<a href="#">11611</a>	Grease Seal - Axle Shaft	59		Capscrews - Camshaft Bracket
34	<a href="#">18090</a> <a href="#">18578</a>	Steering Knuckle (L.H) Steering Knuckle (R.H)	60		Retainer Assembly
35		Steering Stop Adjusting Screw	61		Screws - Self Tapping
36		Steering Stop Adjusting Nut	62		Spacing Washer (Outer)
37		ABS Bushing - Rubber	63		Automatic Slack Adjuster
38	<a href="#">15009</a>	Thrust Bearing	64		Retainer
39	<a href="#">20486</a>	Lower Knuckle Cap	65		Camshaft Snap Ring
40		Washers - Lower Knuckle Cap	66		Axle Shaft Assembly
41		Capscrews - Lower Knuckle Cap	67	<a href="#">20333</a>	Oil Seal - Axle Shaft
42	<a href="#">31261</a>	Grease Fitting	68	<a href="#">11671</a>	Thrust Washer - Axle
43	<a href="#">11607</a>	Grease Seal - Upper Cap/Steering Arm	69	<a href="#">11932</a>	Inner Axle Shaft Bushing
44	<a href="#">20515</a> <a href="#">20516</a> <a href="#">20517</a>	Shim (0.003" Thickness) Shim (0.005" Thickness) Shim (0.010" Thickness)	70		Housing Assembly
45	<a href="#">21382</a>	Steering Arm	71		Socket Plug
46		Washers - Steering Arm	72	<a href="#">11647</a>	King Pin Bushing
47		Capscrews - Steering ARM	73	<a href="#">11690</a>	Lube Fill Plug
48		Nut - Air Brake Chamber	74	<a href="#">11690</a>	Lube Drain Plug
49		Washers - Air Brake Chamber	75	<a href="#">14985</a>	Breather Assembly
50		Chamber Bracket (L.H) Chamber Bracket (R.H)	76		Carrier Assembly
51		Washers - Chamber Bracket	77		Washers - Carrier Housing
52		Capscrews - Chamber Bracket	78		Capscrews (Short) - Carrier Housing
53		Air Brake Chamber (Type 30 Chamber) Air Brake Chamber (Type 24 Chamber)	79		Capscrews (Long) - 160 Carrier Housing
			80		Yoke
			81		Washer - Yoke
			82	<a href="#">23479</a>	Nut - Yoke

WHEN ORDERING PARTS, SPECIFY MODEL NUMBER, SERIAL NUMBER AND DESCRIPTION OF PARTS REQUIRED

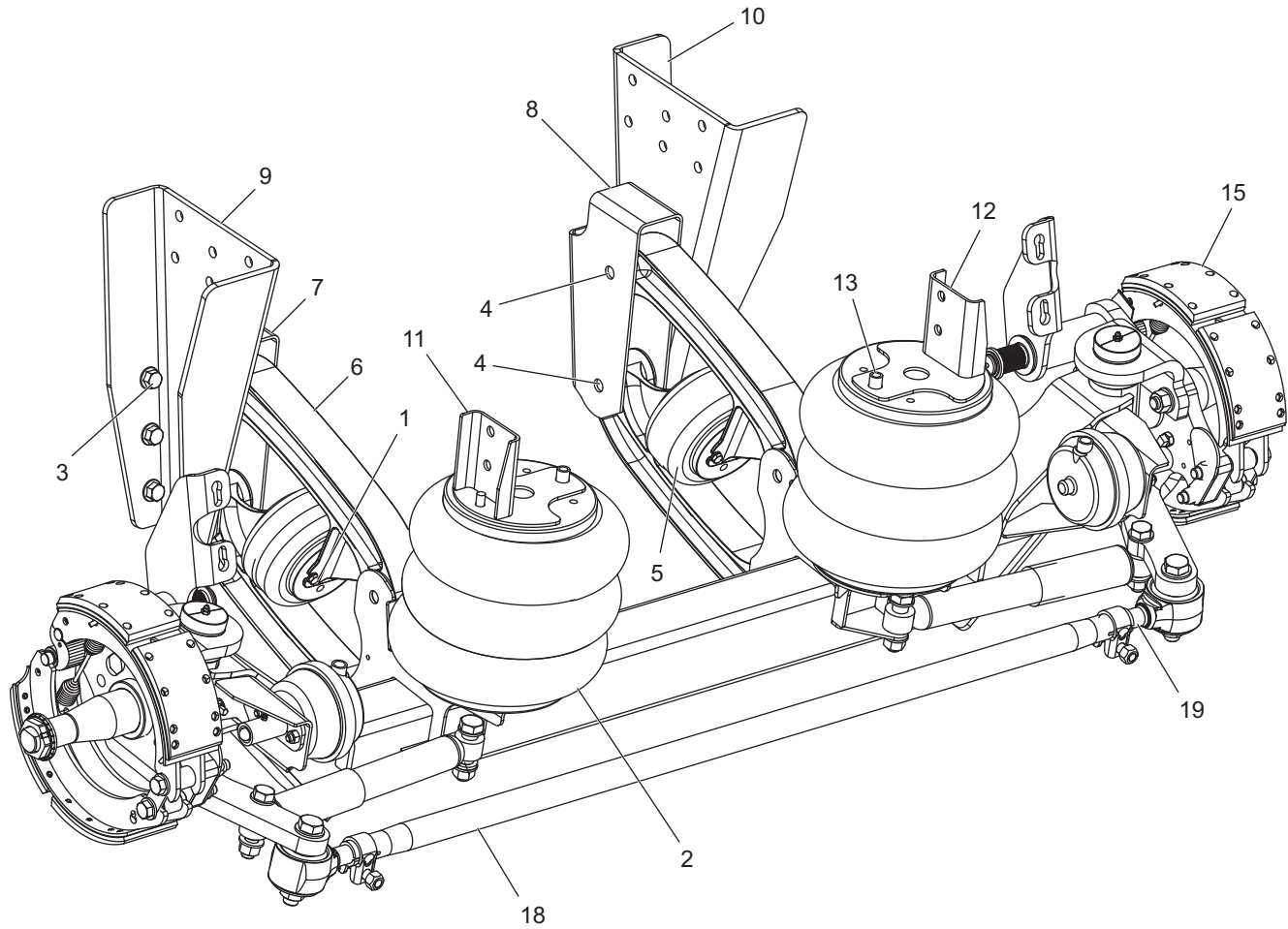
	<b>AXLE HOUSING, MERITOR</b>	DATE: Released 01-2016	<b>GROUP 2</b>
		MODEL: FD	
		PAGE: 2.8	



REF	PART NO.	DESCRIPTION	REF	PART NO.	DESCRIPTION
1	23872	Camshaft (L.H)	9		Brake Shoe and Lining Assembly
	23797	Camshaft (R.H)	10		Brake Spider Assembly
2		Washer	11	21628	Brake Shoe Return Spring
3	11645	Camshaft Seal	12		Brake Shoe Roller
4	11645	Camshaft Bushing	13		Brake Shoe Roller Retainer
5		Snap Ring	14		Dust Shield Capscrew
6		Brake Shoe Anchor Pin	15		Dust Shield
7		Anchor Pin Bushing	16		Dust Shield
8	21627	Brake Shoe Retaining Spring			

WHEN ORDERING PARTS, SPECIFY MODEL NUMBER, SERIAL NUMBER AND DESCRIPTION OF PARTS REQUIRED

	<b>BRAKE KIT, MERITOR</b>	DATE: Released 01-2016	<b>GROUP 2</b>
		MODEL: FD	
		PAGE: 2.9	

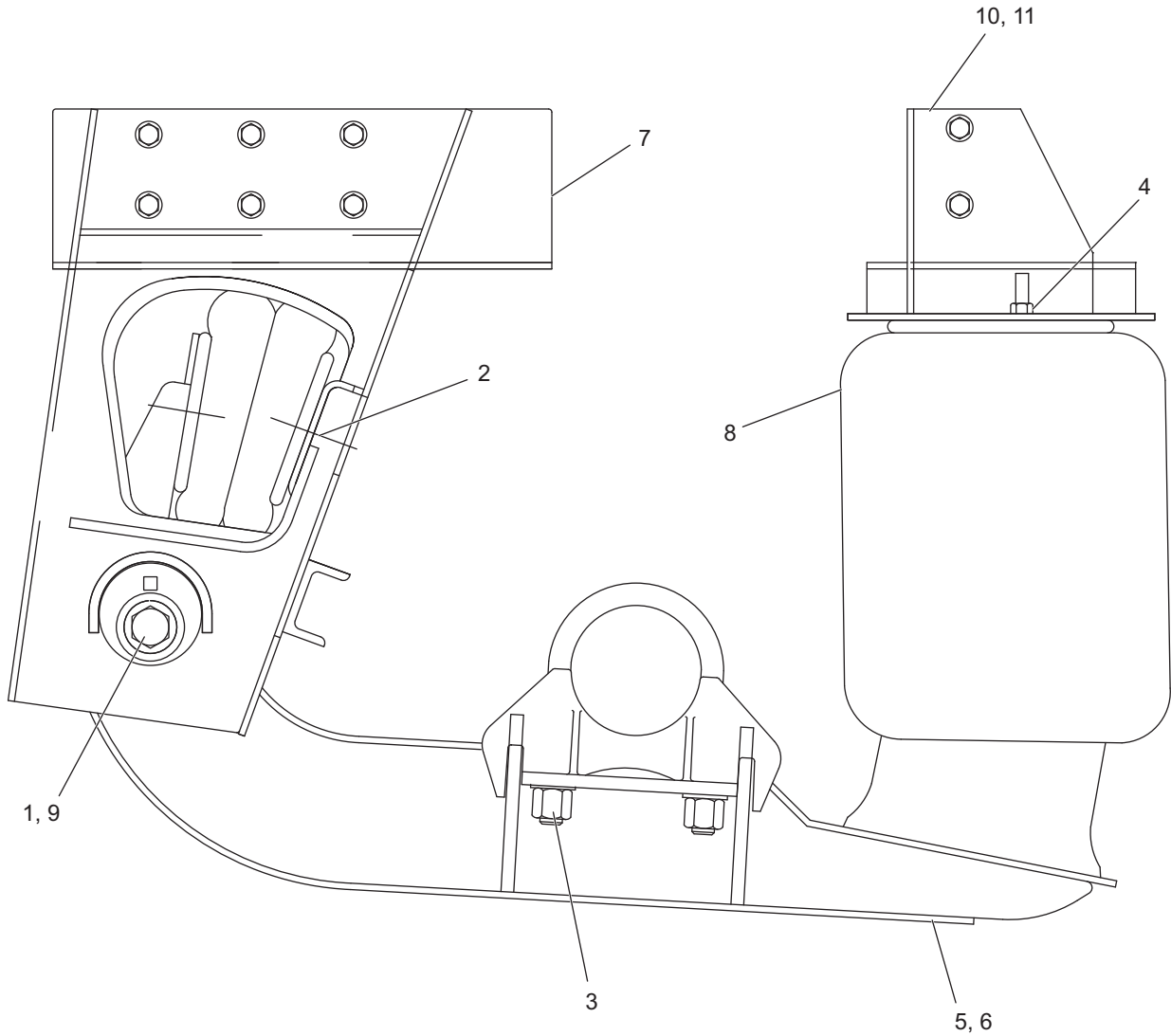


REF	PART NO.	DESCRIPTION	REF	PART NO.	DESCRIPTION
1		Air Spring Bolt Kit (Lift)	11		Upper A/S Plate PATT-A
2	20209	Air Spring (Ride)	12		Upper A/S Plate PATT-A
3		Bushing Saddle, Bolt Kit	13		Air Spring Bolt Kit (Ride)
4		Pivot Bolt Kit	14*		ST Axle ASSY, Model Specific
5	28219	Air Spring (Lift)	15		Brake Assembly
6		Beam Assembly, Nodular	16*	34137	Axle King Pin Kit (Each)
7		Bushing Saddle PATT-A	17*	34136	King Pin (Each)
8		Bushing Saddle PATT-A	18		Compliant Tie Rod ASM SC13
9		Side Rail	19		Tie Rod Catch
10		Side Rail			

\*ITEMS 14, 16 & 17 ARE NOT SHOWN IN THE ILLUSTRATION

WHEN ORDERING PARTS, SPECIFY MODEL NUMBER, SERIAL NUMBER AND DESCRIPTION OF PARTS REQUIRED

	<b>LIFT AXLE HENDRICKSON COMPOSITILITE</b>	DATE: Released 01-2016	<b>GROUP 2</b>
		MODEL: FD	
		PAGE: 2.10	



REF	PART NO.	DESCRIPTION
1		Pivot Bolt Kit, Quick
2		Air Spring Bolt Kit
3		U-Bolt Kit
4		Air Spring Bolt Kit
5		Beam Assembly
6		Beam Assembly
7		Hanger Bracket ASSY

REF	PART NO.	DESCRIPTION
8	30525	Air Spring
9		Wear Pad
10		Upper A/S PLT WELD.
11		Upper A/S PLT WELD.
12*		Parts Box
13*	15249	Up Bag

\*ITEMS 12 & 13 ARE NOT SHOWN IN THE ILLUSTRATION

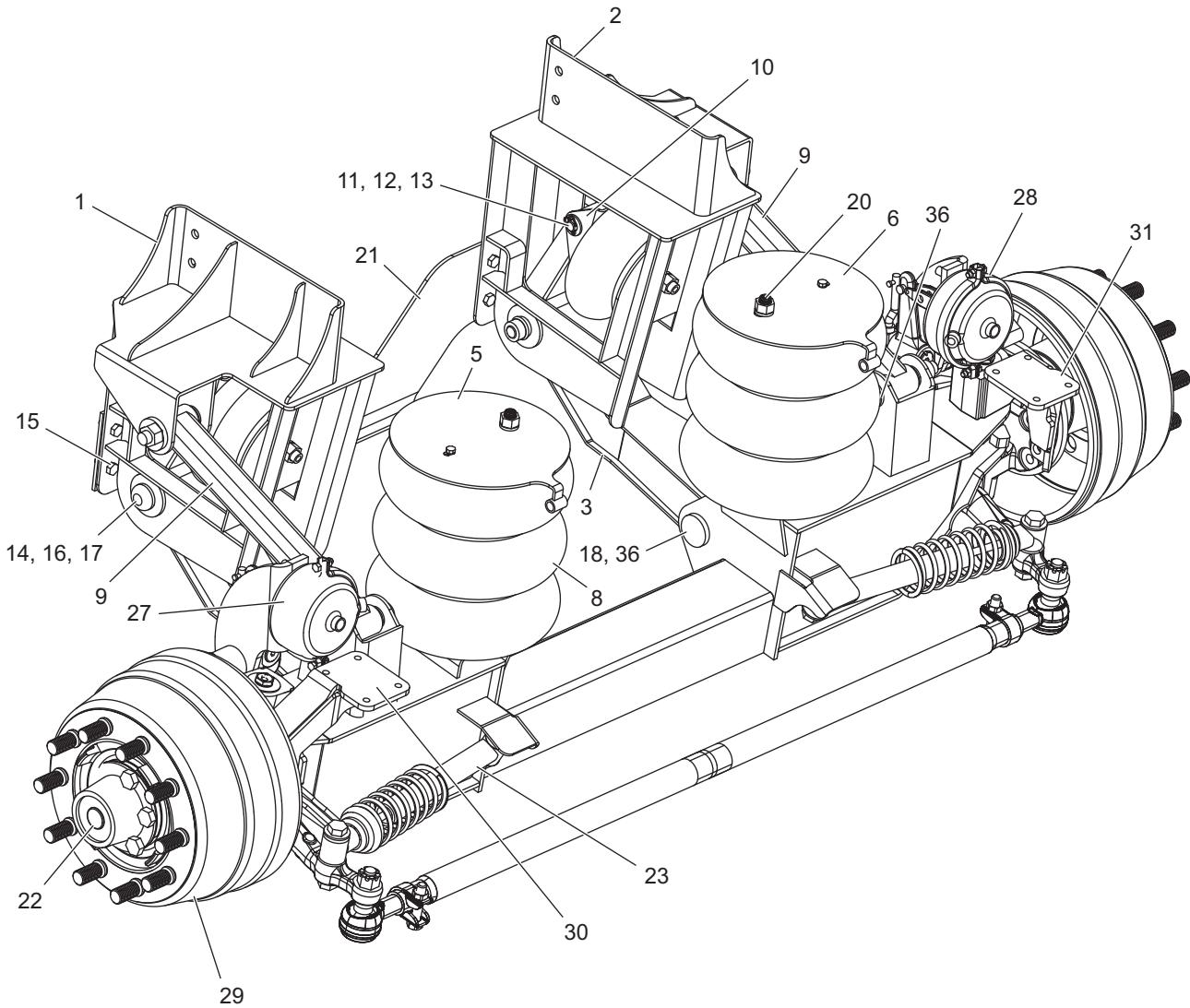
WHEN ORDERING PARTS, SPECIFY MODEL NUMBER, SERIAL NUMBER AND DESCRIPTION OF PARTS REQUIRED



LIFT AXLE  
HENDRICKSON HLM

DATE: Released 01-2016  
MODEL: FD  
PAGE: 2.11

GROUP  
**2**

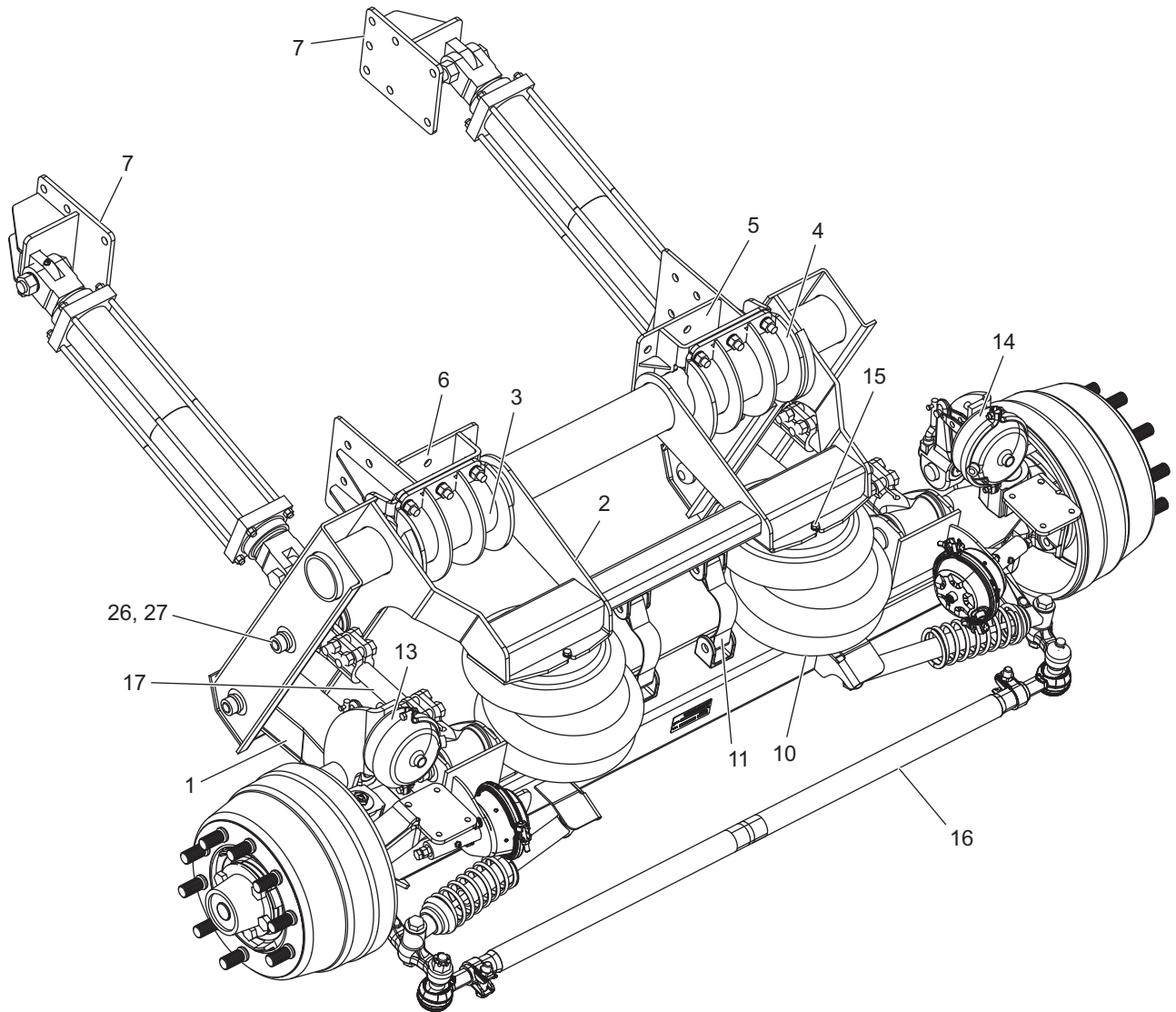


REF	PART NO.	DESCRIPTION	REF	PART NO.	DESCRIPTION
1		Hanger Side Rail ASSY. LH	19*		Lift Bag Hardware Pack
2		Hanger Side Rail ASSY. RH	20		Air Spring Hardware Pack
3		Arm Assembly	21		Cross Member
4*		Axle Assembly	22		Knuckle Assembly Westport
5		Upper Bag Plate ASSY. LH	23		Steer Stabilizer Kit
6		Upper Bag Plate ASSY. RH	24*		Brake MTG Hardware Pack
7*	18127	Air Spring (6897) Lift	25*		Centering Pad ASSY. LH
8		Air Spring Load (8032)	26*		Centering Pad ASSY. RH
9		Torque Rod Assembly	27		Brake ASSY LH Type 20 Chambers
10		Lift Bag Plate	28		Brake ASSY RH Type 20 Chambers
11		0.75 Pin 3.50 Long	29		10 STD UNMT CST/CST
12		Cotter Pin	30	30113	Fender Bracket ASSY. L.H.
13		Washer Flat 0.75 X 1.48 X 0.12 Hardened	31	30110	Fender Bracket ASSY. R.H.
14		Huck Pack	32*		Grease Fitting
15		Bolt-On Cross Member Pack	33*		Install SYN Oil In Hubs
16		Hanger Weld Collar	34*		Wheel End Kit-Westport
17		Hanger Pivot Bushing	35*		Hardware Pack
18		Axle Seat Bushing	36		Capscrew/Bolt Stop

\*ITEMS 4, 7, 19, 24, 25, 26 & 32 TO 35 ARE NOT SHOWN IN THE ILLUSTRATION  
 WHEN ORDERING PARTS, SPECIFY MODEL NUMBER, SERIAL NUMBER AND DESCRIPTION OF PARTS REQUIRED



**SUSPENSION**



REF	PART NO.	DESCRIPTION	REF	PART NO.	DESCRIPTION
1		Lower Arm Assembly	16	24799	Tie Rod ASSY
2		Hanger Assembly	17	34606	Torque ARM Adjustable
3		Rear Bushing Clamp	18*		Seal STEMCO 383-0136
4		Poly Bushing	19*		Hubcap STMCO W GASK-SCRW
5		Front Bushing Clamp RH.	20*		BRK MTG Hardware HYD Lift
6		Front Bushing Clamp L.H.	21*		Centering Kit W/ADJ. Push Rod
7		Cylinder Mounting Bracket Assembly	22*		10 STD UNMT CST/CST
8*		Axle Assembly	23*		Synthetic Oil Installed, Mobile
9*		Stabilizer Shock Kit	24*		Knuckle Assembly Westport
10	34307	Air Spring	25*		Bearing #3782
11	11534	Nylon Strap	26		SL1193THL Clamp HDW Pack
12*		Strap Hardware Pack	27		SL1193 Pivot CONN Pack
13		Brake ASSY LH Type 20 Chambers	28*		Bearing #HM212049
14		Brake ASSY RH Type 20 Chambers	29*		Nut 22MM UNI OK333T
15		Load Bag HDWE Pack	30*		ABS Sensor Kit

\*ITEMS 8, 9, 12, 18 TO 25 & 28 TO 30 ARE NOT SHOWN IN THE ILLUSTRATION

WHEN ORDERING PARTS, SPECIFY MODEL NUMBER, SERIAL NUMBER AND DESCRIPTION OF PARTS REQUIRED

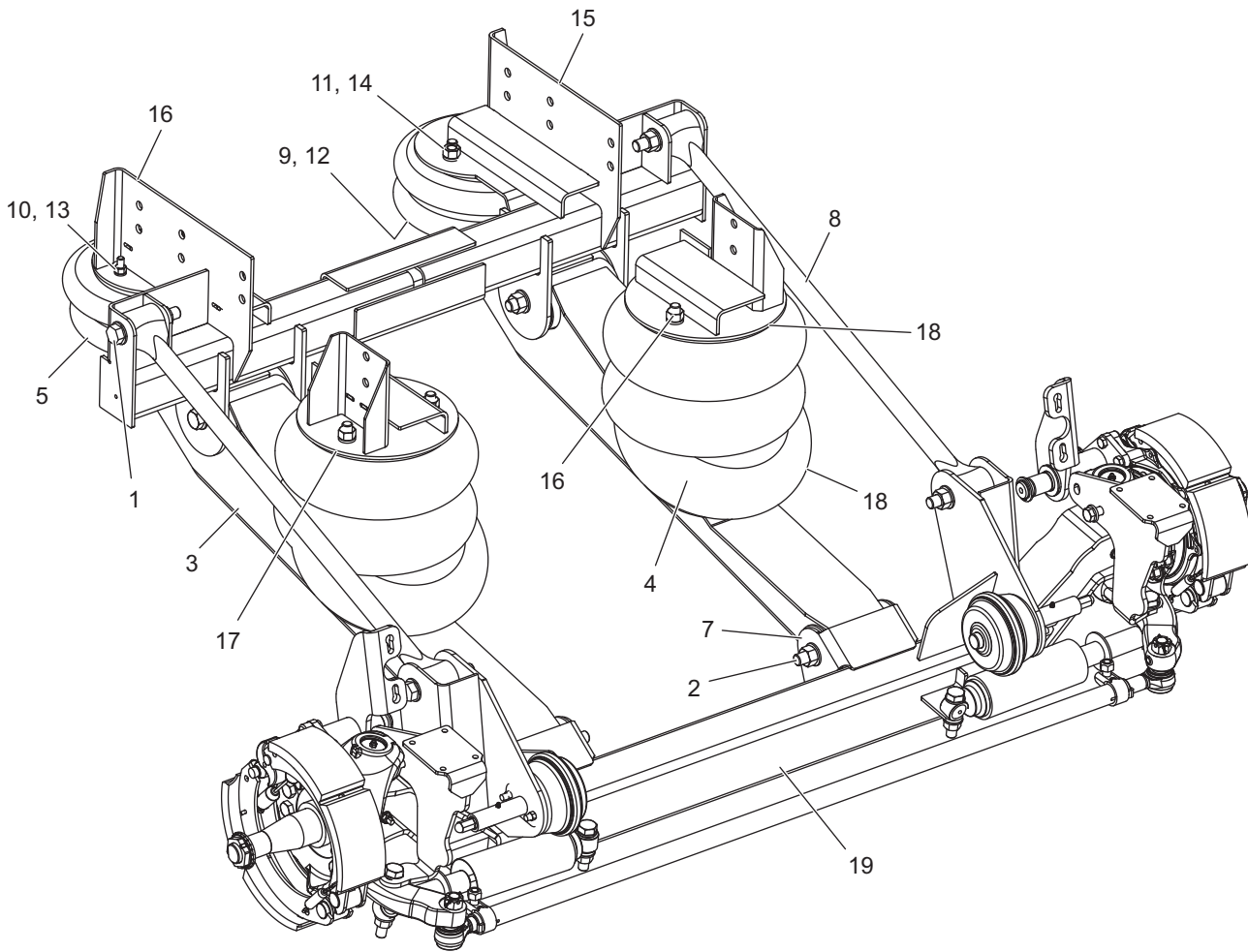


**HYDRAULIC TAG AXLE  
WATSON & CHALIN**

DATE: Released 01-2016  
MODEL: FD  
PAGE: 2.13

GROUP

**2**



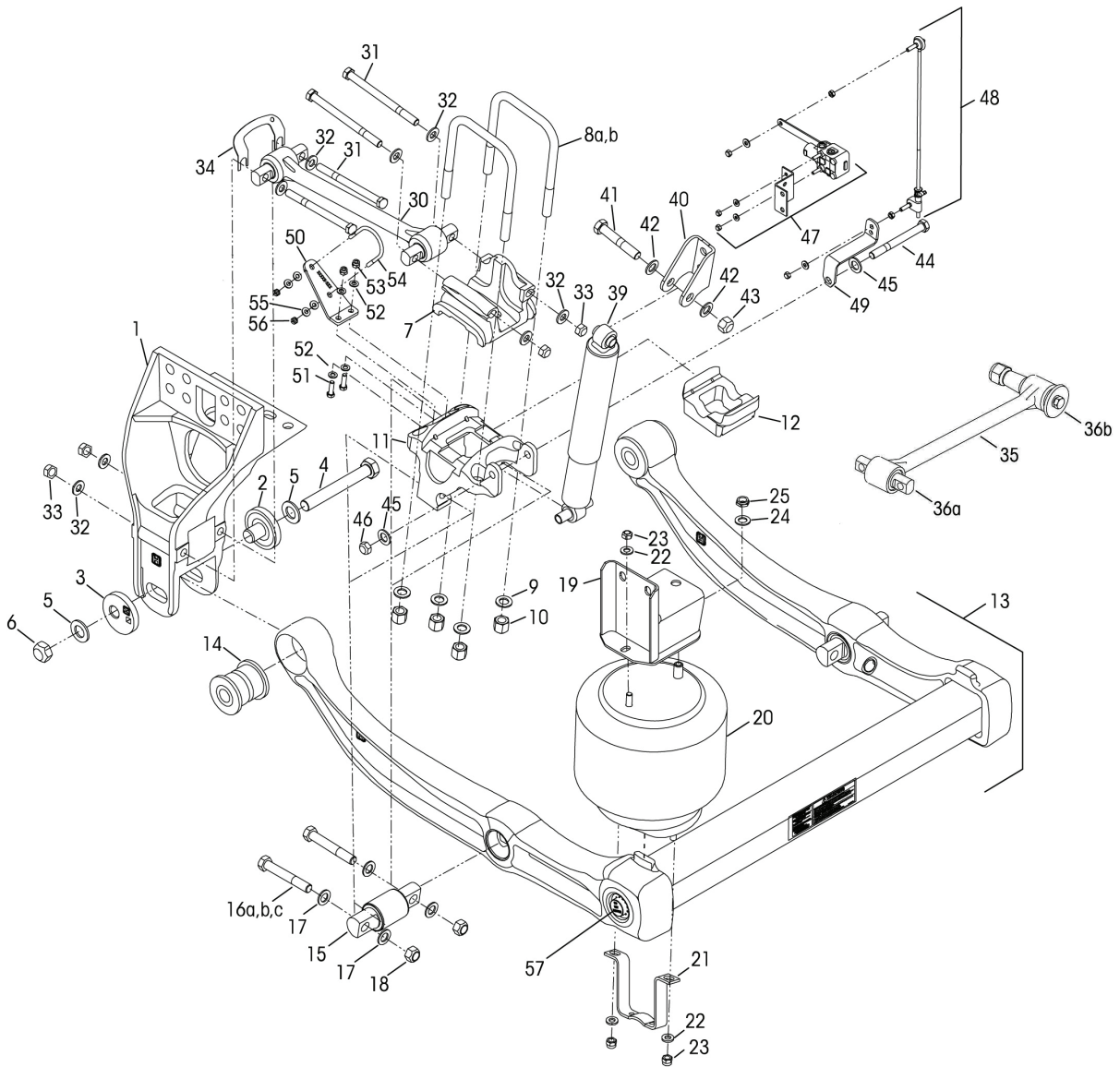
REF	PART NO.	DESCRIPTION	REF	PART NO.	DESCRIPTION
1	23245	Radius Rod Bolt Kit	11		3/4-16 HEX Nut Grade B
2	22010	Pivot Bolt Kit	12		3/8" Reg. Lock Washer
3		Beam Assembly	13		1/2" Reg. Lock Washer
4	20211	Air Spring (Ride)	14		3/4" Lock Washer
5	20210	Air Spring (Lift)	15		Cross Member Assembly (LH)
6*		Ride Spring Bolt Kit	16		Cross Member Assembly (RH)
7		Wear Pad	17		Upper A/S Assembly (LH)
8		Radius Rod	18		Upper A/S Assembly (RH)
9		3/8"-16X1.0 HHB Grade 5	19		Axle Assembly
10		1/2"-13 HEX Nut GR B			

\*ITEM 6 IS NOT SHOWN IN THE ILLUSTRATION

WHEN ORDERING PARTS, SPECIFY MODEL NUMBER, SERIAL NUMBER AND DESCRIPTION OF PARTS REQUIRED

	<b>AIR LIFT TAG AXLE HENDRICKSON UHA</b>	DATE: Released 01-2016	<b>GROUP 2</b>
		MODEL: FD	
		PAGE: 2.14	

**SUSPENSION**



REF	PART NO.	DESCRIPTION	REF	PART NO.	DESCRIPTION
1		EX Frame Hanger (L.H)	12		Axle Spacer- 12 1/2" Ride Ht.
		EX Frame Hanger (R.H)	13		U-Beam Assembly, 34.0"
2		Support Beam QUIK-ALIGN			Frame Width (Front)
		Concentric Collar			U-beam Assembly, 34.0"
3		Support Beam QUIK-ALIGN			Frame Width (Rear)
		Eccentric Collar	14		QUIK-Align Pivot Bushing
4		1.0"-14 UNF-2A H-Coat 7 1/2" Hex Bolt	15		D-Pin Bushing
5		1.0" H-Coat Flat Washer	16A		3/4"-16 16 UNF Bolt, 5"
6		1.0"-14 UNF-2B H-Coat Locknut	16B		3/4"-16 16 UNF Bolt, 5 1/2"
7		Top Pad	16C		3/4"-16 16 UNF Bolt, 4 3/4"
8A		3/4" Square U-Bolt,	17		3/4" Flat Washer
		14 3/8"-15 1/2" Ride Height-Length 8 7/8"	18		3/4"-16 UNF Locknut
		(If not equipped with item 12)	19	23971	Upper Air Spring Bracket ASSY,
8B		3/4" Square U-Bolt,			12 1/2", 14 3/8" Ride Height
		12 1/2" Ride Height-Length 10 3/8"			23970
		(If equipped with item 12)			Upper Air Spring Bracket ASSY,
9		3/4" Flat Washer	20	32211	Air Spring
10		3/4"-16 UNF U-Bolt Locknut			(Contd..)
11		Bottom Cap			

WHEN ORDERING PARTS, SPECIFY MODEL NUMBER, SERIAL NUMBER AND DESCRIPTION OF PARTS REQUIRED



**TANDEM SUSPENSION  
HENDRICKSON PRIMAAAX**

DATE: Released 01-2016

MODEL: FD

PAGE: 2.15


GROUP

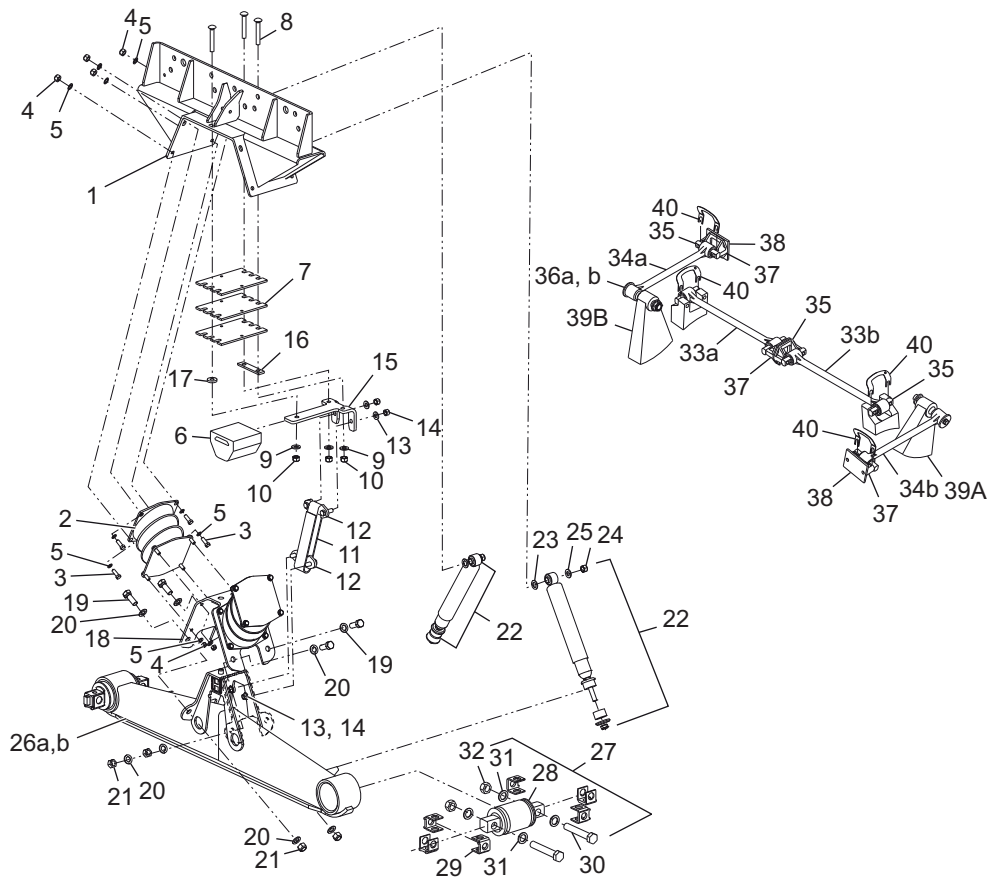
**2**

REF	PART NO.	DESCRIPTION	REF	PART NO.	DESCRIPTION
		(Contd..)			Service Kits
21	32209	Lower Air Spring Mounting Bracket			
22		1/2" Flat Washer	58*		QUIK-Align Pivot Bushing Service Kit, One Wheel End
23		1/2"-13 UNC Locknut			(Includes items 2 thru 6, 14, 38)
24		3/4" Flat Washer			QUIK-Align Pivot Bushing Service Kit, Axle Set, (Includes items 2 thru 6, 14, 38)
25		3/4"-16 UNF Locknut			QUIK-Align Collar Service Kit, One Wheel End, (Includes items 2 thru 6)
26*		3/4"-10 UNC 2.0" Bolt			QUIK-Align Fastener Service Kit, One Wheel End, (Includes items 4 thru 6)
27*		3/4" Flat Washer			U-Bolt Service Kit, One Wheel End, (Includes items 8A thru 10)
28*		3/4"-10 UNC Locknut	59*		U-Bolt Service Kit, One Wheel End, (Includes items 8B thru 10)
29*		Air Spring Gusset			Single D-Pin Bushing Service Kit (Includes items 15, 16A, 17, 18)
30		Longitudinal Torque Rod Assembly	60*	23624	D-Pin Fastener Service Kit, Axle Set, (Includes items 16A, 17, 18)
31		5/8"-11 UNC 8.0" Bolt			Single Air Spring Service Kit (Includes items 20 thru 25)
32		5/8" Flat Washer	61*	12911	Lower Air Spring Fastener Service Kit, Single, (Includes items 22, 23)
33		5/8"-11 UNC Locknut			Upper/Lower Air Spring Fastener Service Kit, Single
34		Shim			(Includes items 22 thru 25)
35	19388	Transverse Torque Rod Assembly	62*		Air Spring Gusset Fastener Kit, Single, (Includes items 26 thru 28)
36A		Straddle Torque Rod Bushing	63*		Longitudinal Torque Rod Bolt Service Kit, One Torque Rod, (Includes items 31 thru 33)
36B		Tapper Pin Bushing			Single Shock Fastener Service Kit (Includes items 41 thru 46)
37*		Transverse Torque Rod Frame Bracket	64*		Height Control Valve Assembly Service Kit (Includes items 47 thru 49)
38*		P-80 Bushing Lubricant - 10ml			S-Cam Fastener Service Kit, Axle Set, (Includes items 51 thru 56)
39		Shock Absorber	65*		U-Beam Assembly Enhancement Aftermarket Service Kit, Axle Set
40		Upper Shock Frame Bracket			
41		3/4"-10 UNC 4 1/4" Upper Shock Bolt			
42		3/4" Flat Washer			
43		3/4"-10 UNC Locknut			
44		5/8"-11 UNC 6.0" Lower Shock Bolt			
45		5/8" Flat Washer			
46		5/8"-11 UNC Locknut			
47	23625	Height Control Valve Assembly			
48		HCV Linkage Assembly			
49		Height Control Valve Linkage Bracket			
50		S-cam Support Bracket			
51		3/8"-16 UNC 1 1/4"-HEX Bolt			
52		3/8" Hardened Washer			
53		3/8"-16 UNC Locknut			
54		5/16" S-Cam U-Bolt			
55		5/16" Hardened Washer			
56		5/16"-18 UNC Locknut			

\*ITEMS 26 TO 29, 37, 38, 58 TO 68 ARE NOT SHOWN IN THE ILLUSTRATION

WHEN ORDERING PARTS, SPECIFY MODEL NUMBER, SERIAL NUMBER AND DESCRIPTION OF PARTS REQUIRED

	<b>TANDEM SUSPENSION HENDRICKSON PRIMAAX</b>	DATE: Released 01-2016	<b>GROUP 2</b>
		MODEL: FD	
		PAGE: 2.16	



REF	PART NO.	DESCRIPTION	REF	PART NO.	DESCRIPTION
1		HN 402/462/522 Saddle ASSY (Includes items 2-18)	25		5/8" Upper Shock Washer
2		Bolster Spring	26		Equalizing Beam Assembly
3		7/16"-20 UNF 1.25" Bolt	27		Bar Pin End Bushing Service Kit, One Wheel End (Includes items 28-32)
4		7/16"-20 UNF-2B Locknut	28		Bar Pin End Bushing
5		7/16" Washer	29		Bar Pin Shim
6		Auxiliary Spring	30		1"-8 UNC 6.0" HEX Bolt
7		Auxiliary Spring Shim	31		1" Hardened Washer
8		1/2"-13 UNC Round Head Square Neck 3.25" Bolt	32		1"-8 UNC Locknut
9		1/2" Washer	33	17347	Rod, Torque, Longitudinal, DT
10		1/2"-13 UNC-2A Locknut			Rod, Torque, Longitudinal, RT
11		Rebound Strap	34	17149	Rod, Torque, Transverse, DT
		Anchor Plate ASSY (Includes items 12-14)		19388	Rod, Torque, Transverse, RT
12		Anchor Plate	35		Straddle Bushing
13		1/2" Washer	36		Taper Bushing
14		1/2"-13 UNC -2A Locknut	37	14610	Torque Rod Frame Bracket
15		Auxiliary Spring Mounting Plate	38		Backup Plate
16		Auxiliary Spring Mounting Plate Shim (Inboard-1/4" Thick)	39A	19582	BRKT, Transverse, Torque Arm
17		Outboard Spacer (1/4" Thick)	39B	34481	BRKT, Transverse, Torque Arm
18		Saddle Vee Bracket	40		Torque Rod Shim
19		3/4"-10 UNC-2A HEX Head Bolt			<i>Service Kits</i>
20		3/4" Washer	41*		Bolster Spring Service Kit, One Set, (2 pc) (Includes item 3)
21		3/4"-10 UNC-2B Locknut	42*		Vee Bracket Fastener Service Kit, One Side (Includes items 19-21)
22		Shock Absorber	43*		Torque Rod Bushing P-80 Lubricant-10ml
23		3/4" Washer			
24		5/8" Upper Shock Locknut			

\*ITEMS 41, 42 & 43 ARE NOT SHOWN IN THE ILLUSTRATION

WHEN ORDERING PARTS, SPECIFY MODEL NUMBER, SERIAL NUMBER AND DESCRIPTION OF PARTS REQUIRED

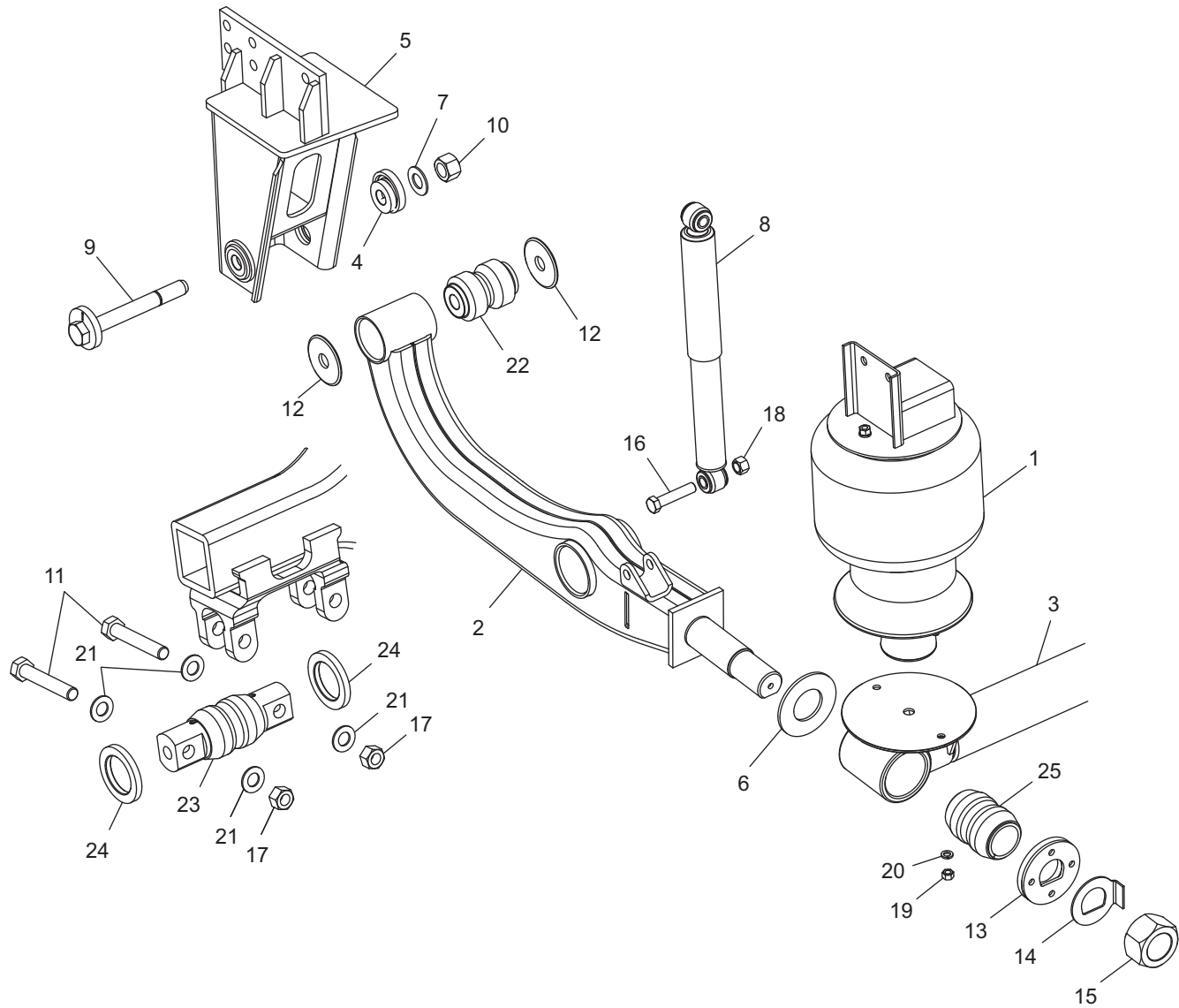


**TANDEM SUSPENSION  
HENDRICKSON NORDY**

DATE: Released 01-2016  
MODEL: FD  
PAGE: 2.17

**GROUP  
2**





<u>REF</u>	<u>PART NO.</u>	<u>DESCRIPTION</u>	<u>REF</u>	<u>PART NO.</u>	<u>DESCRIPTION</u>
1		Air Spring With Mounting Bracket	13		Locking Spacer Assembly
2		Eq.Beam Assembly-LH-Bar Pin Design	14		Lock Tab Washer
3		Eq.Beam Assembly-RH-Bar Pin Design	15		Heavy HEX Nut 2-1/4"-8
4		Alignment Bushing	16		Cap Screw 3/4"-10 X 4.25"
5		Frame Bracket-LH	17		HEX Nut Lock 1"-8
6		Frame Bracket-RH	18		HEX Nut 3/4"
7		Spacer Washer	19		HEX Nut 1/2"
8		Washer Flat Narrow 1.12"	20		Lock Washer 1/2"
9		Shock Absorber	21		Washer Flat Narrow 1"
10		Alignment Bushing ASSY	22		Rubber Bushing-Front Pivot
11		HEX Nut 1-1/8"-7	23		Bushing-Beam Center-Bar Pin Style
12		Capscrew-1"-8 X 6" GR.8 (Bar Pin Only)	24		Washer for Bar Pin Style Connection
		Washer-Pivot Spacer	25		Bushing-Transverse Beam

WHEN ORDERING PARTS, SPECIFY MODEL NUMBER, SERIAL NUMBER AND DESCRIPTION OF PARTS REQUIRED

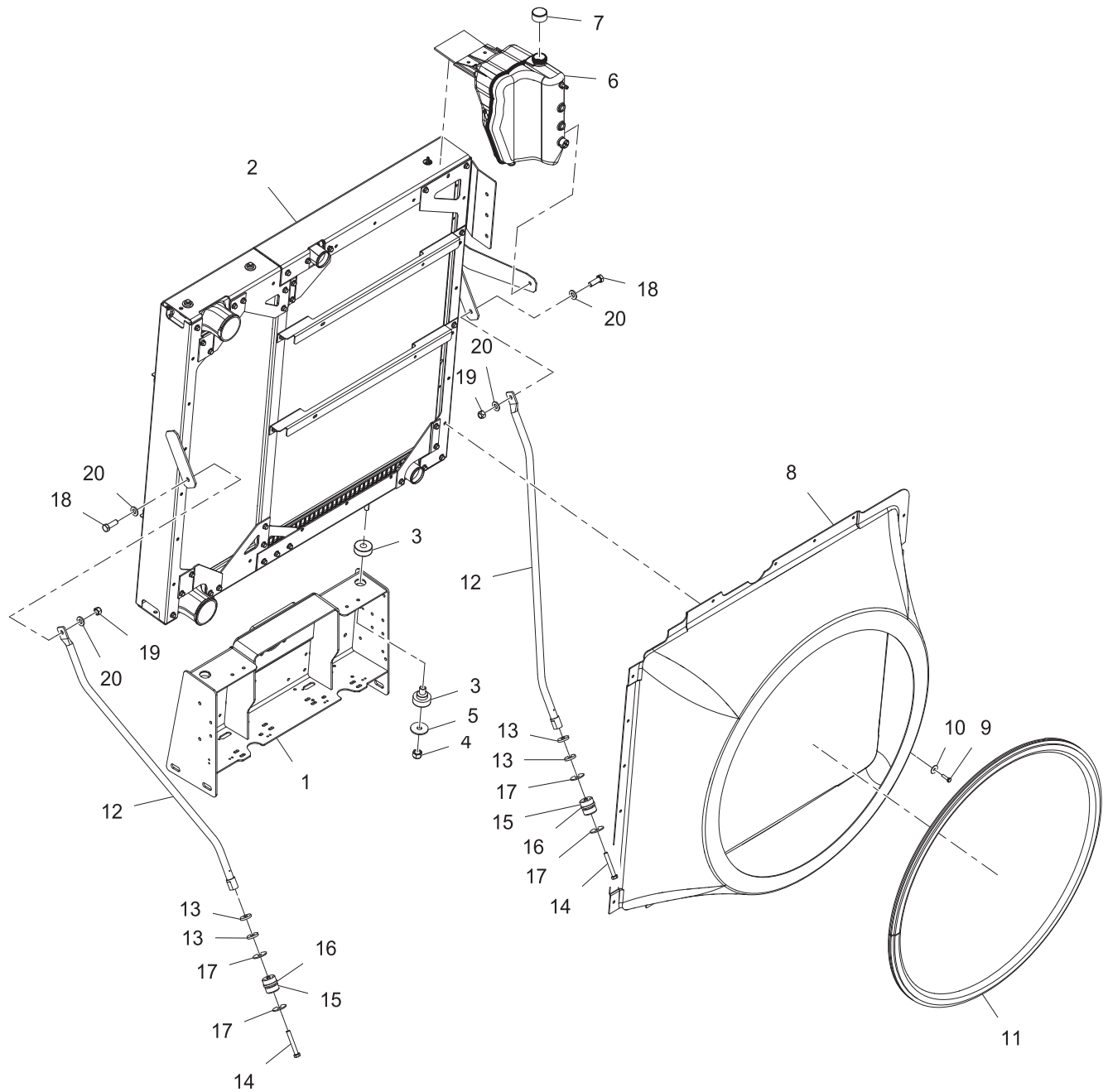


**TANDEM SUSPENSION  
NEWAY**

DATE: Released 01-2016  
 MODEL: FD  
 PAGE: 2.18

**GROUP  
2**

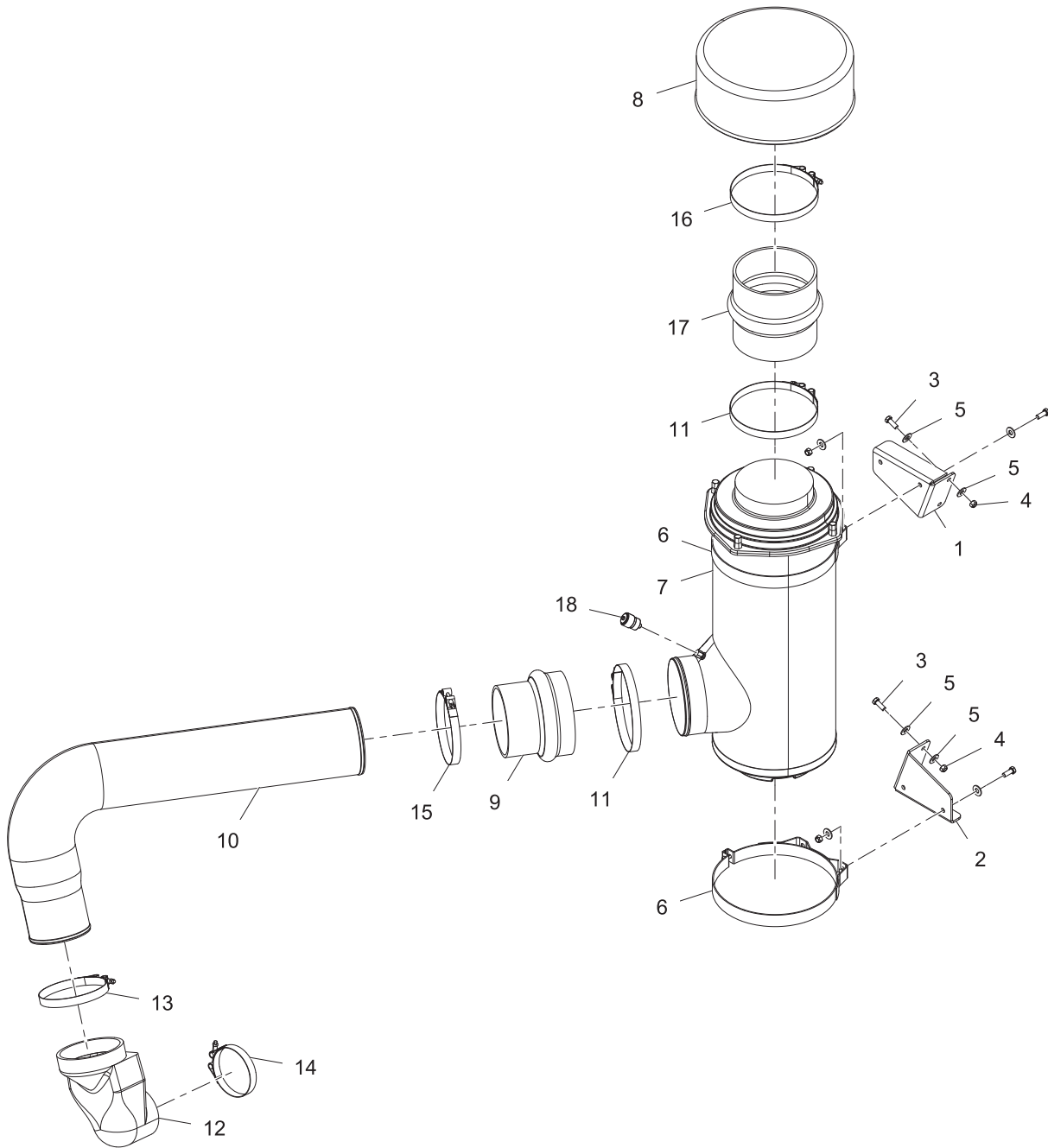




REF	PART NO.	DESCRIPTION	QTY	REF	PART NO.	DESCRIPTION	QTY
1	29566	WDMT, Radiator STAND, 2007 .....	1	11	29398	Seal, Rubber, Fan Shroud, Tier 3 .....	10FT
2	30290	Radiator, Cooling Module, MY10 .....	1	12	29447	WDMT, Tube, Radiator Strut .....	2
3	19492	Isolator, Mount, Cab, Rubber .....	2	13	32024	Spacer, Strut, MY09 .....	2
4	19351	Nut, Lock, Top, 5/8" - 11, ZP, GRC .....	2	14	41441	Bolt, HHCS, 1/2" - 13 X 3-1/2" GR8 .....	2
5	23898	Washer, 11/16" X 2-1/2" X 3/16" .....	2	15	30081	Isolator, Mount, RAD Support, Tier 3 .....	2
6	29868	Surge Tank, Individual, MODINE, EPA-07 .....	1	16	29661	Spacer, 2" OD X 1.25" ID X 1/4" .....	2
7	30661	Cap, Surge Tank, MODINE, Tier 3 .....	1	17	19331	Washer, Flat, 1/2", ZP .....	4
8	29382	Shroud, Radiator, Tier 3 .....	1	18	29604	Bolt, HHCS, 1/2" - 13 X 1.5, GR 8 Zinc .....	2
9	19127	Bolt, HHCS, 1/4" - 20 X 1", GR8 .....	20	19	19354	Nut, Auto Style, 1/2" - 13, GRC .....	2
10	32519	Washer, Flat, 1/4", FEND, ZP, 1.0" OD .....	20	20	19093	Washer, Structural, 1/2", ASTM, A325, PF .....	4

WHEN ORDERING PARTS, SPECIFY MODEL NUMBER, SERIAL NUMBER AND DESCRIPTION OF PARTS REQUIRED

	<b>RADIATOR PACKAGE, ISX ENGINE</b>	DATE: Released 01-2016	<b>GROUP</b>  <b>3</b>
		MODEL: FD	
		PAGE: 3.1	



REF	PART NO.	DESCRIPTION	QTY	REF	PART NO.	DESCRIPTION	QTY
1	34018	BRKT, MNT, Air Cleaner, Upper ISX, MY13.....	1	9	23943	Hose, Hump, Rubber Reducing, 7X6 .....	1
2	34019	BRKT, MNT, Air Cleaner, Lower ISX, MY13.....	1	10	34020	Tube, Intake, AL, 5.5, ISX12, MY13 ...	1
3	19105	Bolt, HHCS, 3/8" X 1", PF, GR8 .....	4	11	19886	Clamp, T-Bolt, Air Intake, 7.38 DIA .....	2
4	19016	Nut, Lock, 3/8" - 16.....	4	12	12892	Elbow, Rubber, Intake, Cobra Head....	1
5	19312	Washer, Flat, 3/8", ZP, GR8 .....	8	13	31919	Clamp, Intake, Cobra Head, 6.125" ....	1
6	16828	Clamp, Air Filter .....	2	14	31910	Clamp, Intake, Cobra Head, 4.625" ....	1
7	15512	ASSY, Filter, Air, 11 IN, Engine.....	1	15	14733	Clamp, Intake, 6 1/2 IN. ....	1
8	19482	Pre Cleaner, Engine, 7 IN, ENGINAIRE .....	1	16	31649	Clamp, T-Bolt, 7.75" .....	1
				17	16832	Hose, Hump, Straight, 7X7 .....	1
				18	16909	Gauge, Air Filter Intake Restriction .....	1

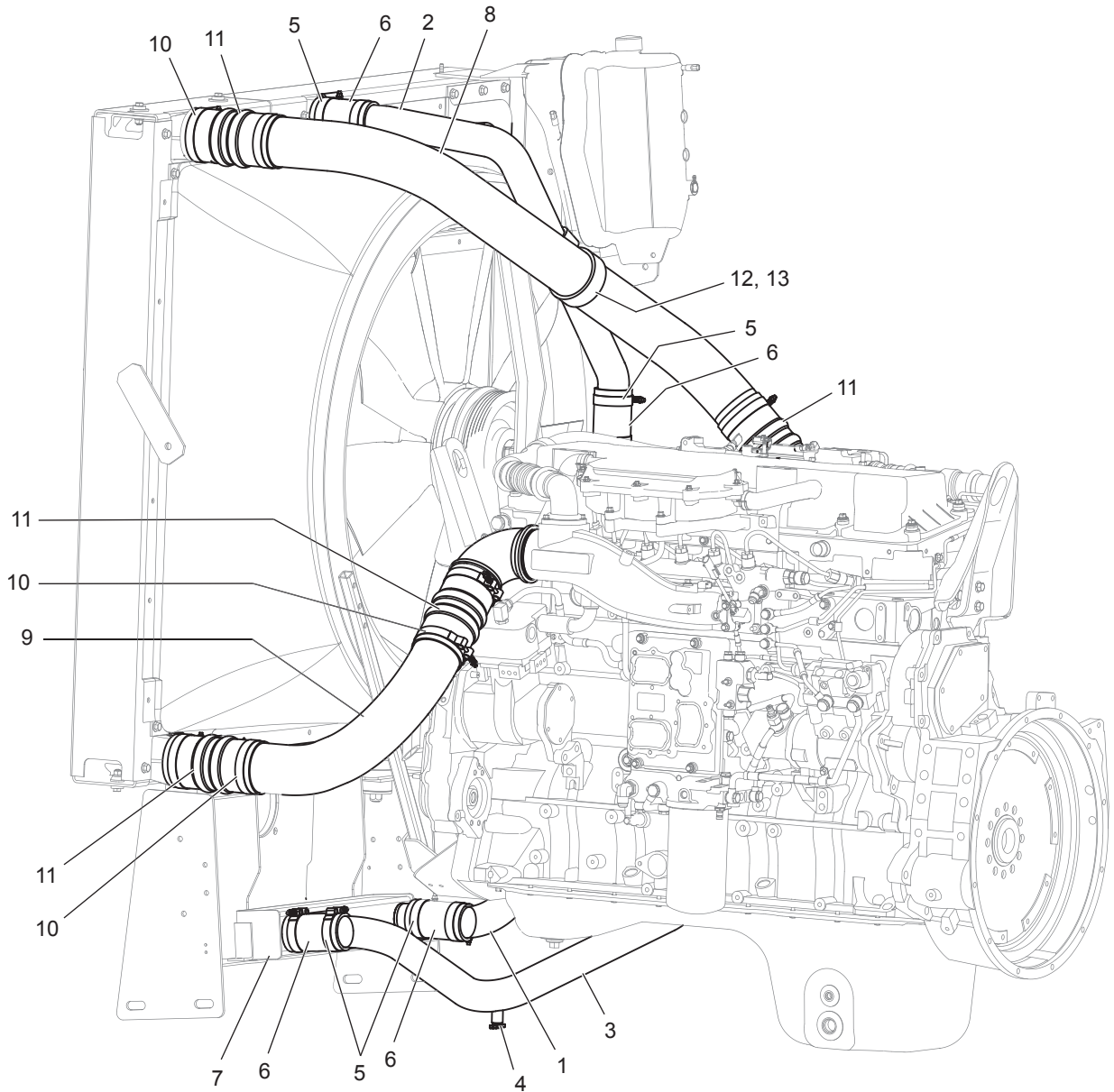
WHEN ORDERING PARTS, SPECIFY MODEL NUMBER, SERIAL NUMBER AND DESCRIPTION OF PARTS REQUIRED



**AIR INTAKE, ISX ENGINE**

DATE: Released 01-2016  
 MODEL: FD  
 PAGE: 3.2

**GROUP**  
**3**



REF	PART NO.	DESCRIPTION	QTY	REF	PART NO.	DESCRIPTION	QTY
1	30375	WDMT, Pipe Coolant, Tier 3.....	1	8	31748	CAC Inlet Pipe, ISX-11.9L.....	1
2	31749	Tube, Radiator Outlet, ISX-11.9L .....	1	9	31750	CAC Outlet Tube, ISX-11.9L.....	1
3	31746	WDMT, Coolant Pipe, ISX-11.9L .....	1	10	14737	Clamp, Torque Intake.....	8
4	12444	Valve, Drain, 3/8" Petcock.....	1	11	23068	Hose, Intake, CAC, 4" X 8" X 0.130....	2
5	11729	Clamp, Radiator Hose, #287 .....	12	12	33362	Strap, CAC, Inlet Tube, ISX11.9L .....	1
6	34853	Hose, Coolant, 2.5" ID X 5.0", MY14 .....	6	13	33363	Strap, Radiator Outlet Tube, ISX11.9L .....	1
7	30291	Cooler, Transmission, Oil, Tier 3 .....	1				

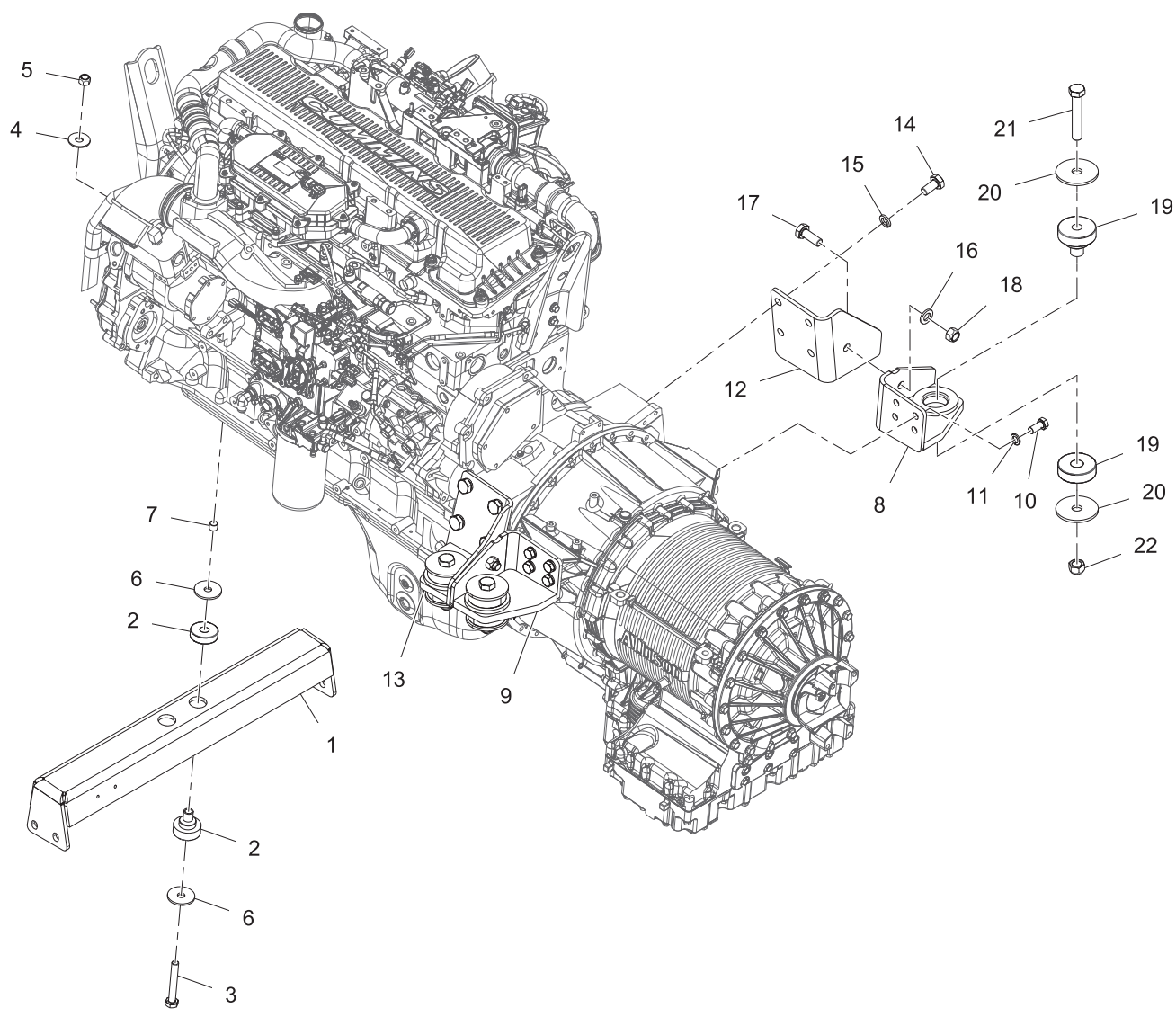
WHEN ORDERING PARTS, SPECIFY MODEL NUMBER, SERIAL NUMBER AND DESCRIPTION OF PARTS REQUIRED



**WATER & CAC PIPING,  
ISX ENGINE**

DATE: Released 01-2016  
 MODEL: FD  
 PAGE: 3.3

**GROUP  
3**



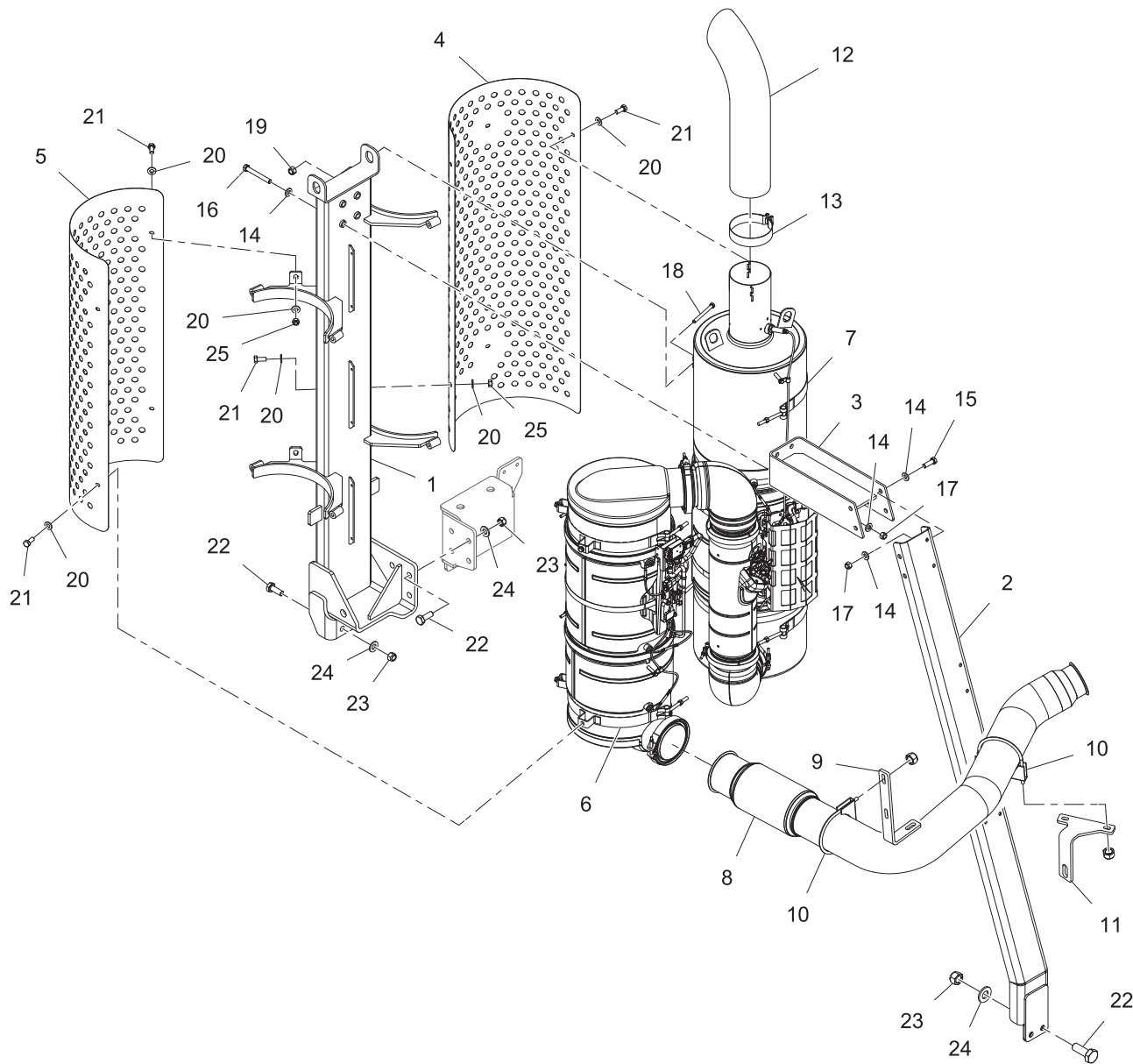
REF	PART NO.	DESCRIPTION	QTY	REF	PART NO.	DESCRIPTION	QTY
1	31758	WDMT, MNT, Engine, Front, EPA-2010 .....	1	13	31791	WDMT, MNT, ENG, Rear CBSD, ISX-11.9L .....	1
2	29064	Mount, Isolation, 2PC, ENG & Cab ....	2	14	19200	Bolt, HHCS, 3/4"-10 X 1-1/2", PF, GR8 .....	8
3	19208	Bolt, HHCS, 5/8"-11 X 4-1/2", GR8.....	2	15	19037	Washer, Split Lock, 3/4" .....	8
4	19332	Washer, Flat, 668 X 2 X 0.125 SPCL .....	4	16	19039	Washer, Structural, 3/4", ASTM, A325, PF .....	2
5	19351	Nut, Lock, Top, 5/8"-11, ZP, GRC .....	2	17	19122	Bolt, HHCS, 3/4"-10 X 2", PF, GR8.....	2
6	23898	Washer, 11/16" X 2-1/2" X 3/16" .....	4	18	19343	Nut, Lock, Top, 3/4"-10, GRC.....	2
7	31468	Spacer, Bolt, ENG Mount, Front, EPA-07 .....	2	19	29369	Isolator, Mount, Engine, Rear, Tier 3 .....	4
8	31764	WDMT, MNT, Transmission, RDS.....	1	20	29368	Washer, Snub, Isolator, Engine, Rear, 07 .....	8
9	31793	WDMT, MNT, Transmission, CBSD.....	1	21	30344	Bolt, HHCS, 7/8" -9 X 5", PF, GR8.....	4
10	22344	Bolt, HHCS, M16-2.0 X 35, PF, GR10.9.....	8	22	40051	Nut, Lock, Top, 7/8"-9, ZP, GRC .....	4
11	32040	Washer, Lock, Split, M16 Zinc .....	8				
12	31761	WDMT, MNT, ENG, Rear RDS, ISX-11.9L.....	1				

WHEN ORDERING PARTS, SPECIFY MODEL NUMBER, SERIAL NUMBER AND DESCRIPTION OF PARTS REQUIRED

	<h2>ENGINE &amp; TRANS MNTG ISX</h2>	DATE: Released 01-2016	<b>GROUP</b>  <b>3</b>
		MODEL: FD	
		PAGE: 3.4	







REF	PART NO.	DESCRIPTION	QTY	REF	PART NO.	DESCRIPTION	QTY
1	33911	WDMT, Mount, DPF/SCR, ISX12, MY13 .....	1	12	14564	Stack, Exhaust, 5 IN. OD X 24 IN.L ....	1
2	33922	WDMT, Brace, DPF/SCR, ISX12, MY13 .....	1	13	31049	Clamp, Seal, 5", 55, Exhaust .....	1
3	33930	WDMT, BRKT, Top, DPF/SCR, ISX12, MY13 .....	1	14	19093	Washer, Structural, 1/2", ASTM, A325, PF .....	16
4	33915	Guard, SCR, ISX12, MY13 .....	1	15	19113	Bolt, HHCS, 1/2" X 1-1/2", PO, G R8..	4
5	33914	Guard, DPF, ISX12, MY13 .....	1	16	19159	Bolt, HHCS, 1/2"-13 X 4" GR8 .....	4
6	33912	WDMT, Clamp, DPF, 12.66 X 1.5, MY13 .....	2	17	19354	Nut, Auto Style, 1/2"-13, GRC .....	8
7	33913	WDMT, Clamp, SCR, 14.00 X 1.5, MY13 .....	2	18	26969	Bolt, HHCS, 3/8"-16 X 4", PF, GR8 .....	4
8	35009	Tube, Exhaust, ISX, Lined, Bellows, MY15 .....	1	19	19353	Nut, Lock, Top, 3/8"-16, ZP, GRC .....	4
9	33977	Support, Exhaust, ISX12, MY13 .....	1	20	19068	Washer, Flat, 5/16", SAE, ZP .....	14
10	17592	Clamp, Muffler, U-Bolt, 5", 3/8", GR 5 .....	2	21	19128	Bolt, HHCS, 5/16"-18 X 3/4", PF, GR8 .....	14
11	34247	Support, Exhaust, ISX12, MY13 .....	1	22	19156	Bolt, HHCS, 5/8"-11 X 1-3/4", PF, GR8 .....	9
				23	19351	Nut, Lock, Top, 5/8"-11, ZP, GRC .....	9
				24	19086	Washer, Structural, 5/8", ASTM, A325, PF .....	9
				25	19348	Nut, Crown, 5/16" -18, GRC .....	4

WHEN ORDERING PARTS, SPECIFY MODEL NUMBER, SERIAL NUMBER AND DESCRIPTION OF PARTS REQUIRED

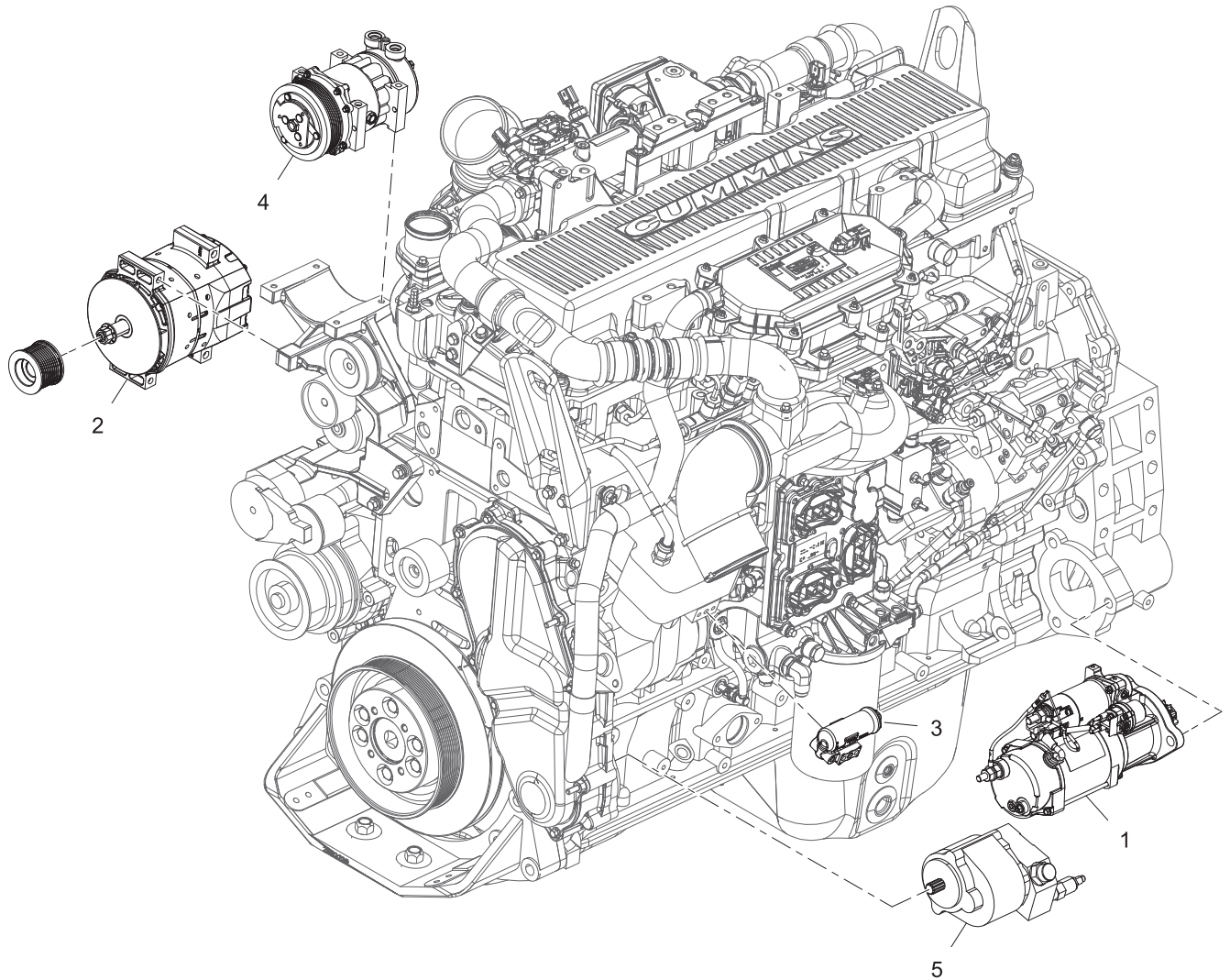


**AFTERTREATMENT, SCR/DPF, ISX**

DATE: Released 01-2016  
 MODEL: FD  
 PAGE: 3.6

**GROUP**  
**3**





REF	PART NO.	DESCRIPTION
1	31813	Starter, 39MT, 12VDC
2	31812	Alternator, 36SI, 155 AMP, 12VDC
3	12470	Governor, Air

REF	PART NO.	DESCRIPTION
4	34753	Compressor, Sanden HD4080 W/CONNECTNS
5	31887	Pump, PWR STRG, 1.94CI, CCW, 7.5GPM, 11T

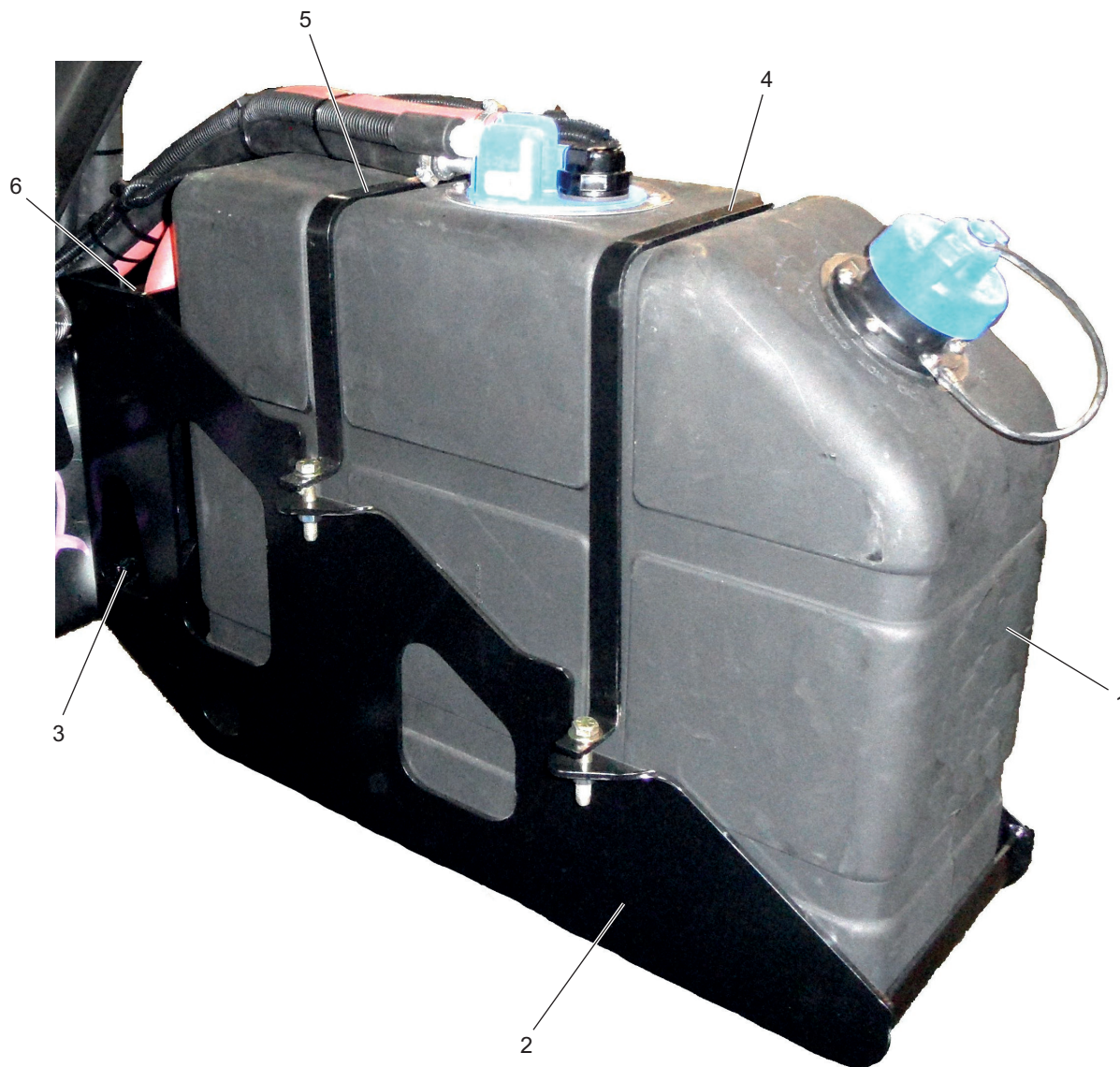
WHEN ORDERING PARTS, SPECIFY MODEL NUMBER, SERIAL NUMBER AND DESCRIPTION OF PARTS REQUIRED



ENGINE COMPONENTS, ISX

DATE: Released 01-2016  
 MODEL: FD  
 PAGE: 3.7

GROUP  
**3**

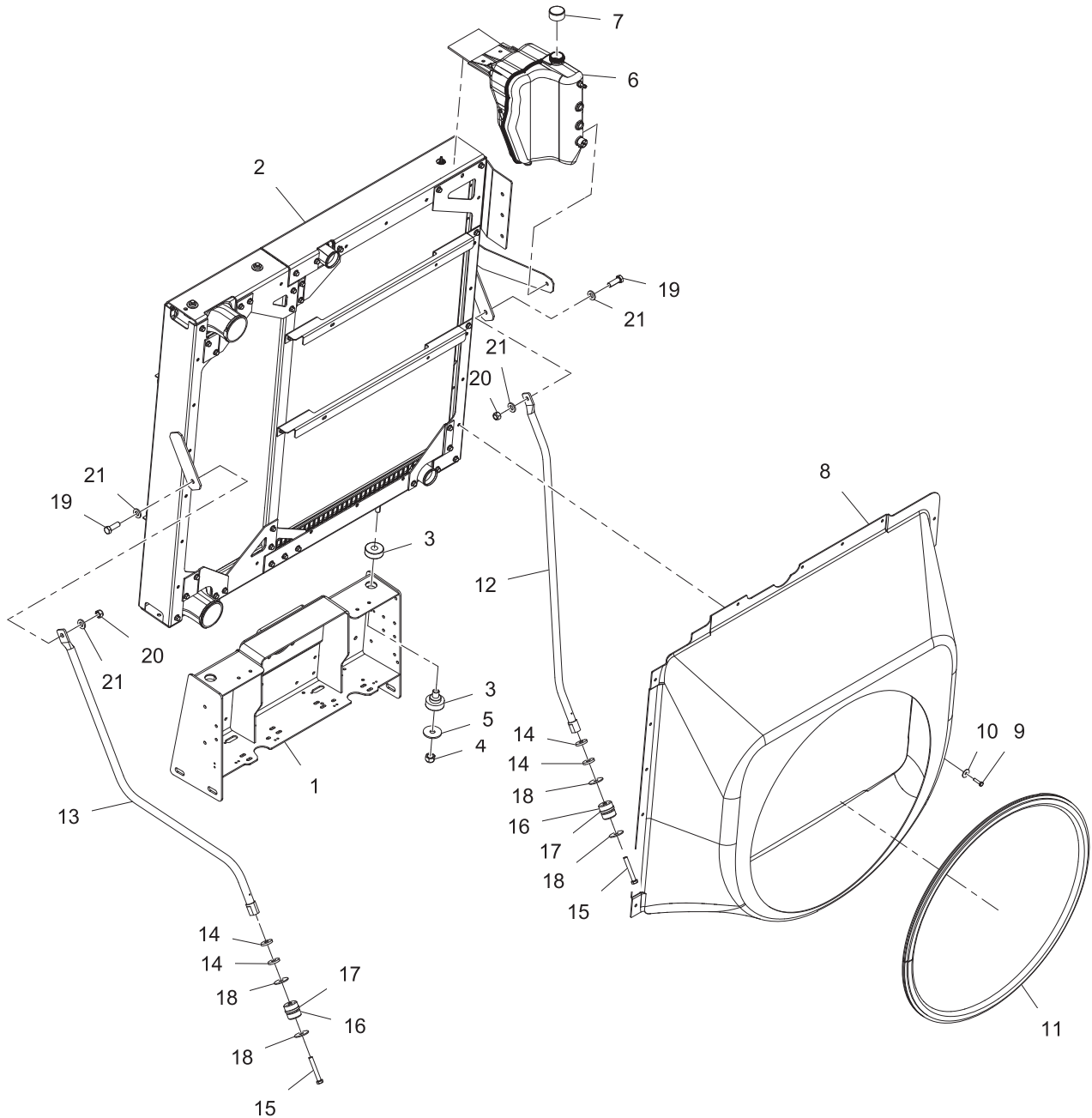


<u>REF</u>	<u>PART NO.</u>	<u>DESCRIPTION</u>	<u>REF</u>	<u>PART NO.</u>	<u>DESCRIPTION</u>
1	33946	Tank, DEF, 10 GAL, ISX12.0, MY13	7*	31901	Pump, Supply, Module, DEF
2	33839	WDMT, BRKT, DEF Tank, 10GAL, MY13	8*	34005	Hose, DEF, Suction, 2-Meter, MY13
3	34206	WDMT, DEF Tank Holder	9*	34006	Hose, DEF, Return, 2-Meter, MY13
4	33786	Strap, DEF, 10 GAL, Front	10*	30436	Hose, Heater, 5/8", GST-2, Red
5	33787	Strap, DEF, 10 GAL, Rear	11*	30435	Hose, Heater, 5/8", GST-2, BLK
6	33826	Valve, Coolant, DEF, MY13	12*	31904	Hose DEF Pressure Heated

\*ITEMS 7 TO 12 ARE NOT SHOWN IN THE ILLUSTRATION

WHEN ORDERING PARTS, SPECIFY MODEL NUMBER, SERIAL NUMBER AND DESCRIPTION OF PARTS REQUIRED

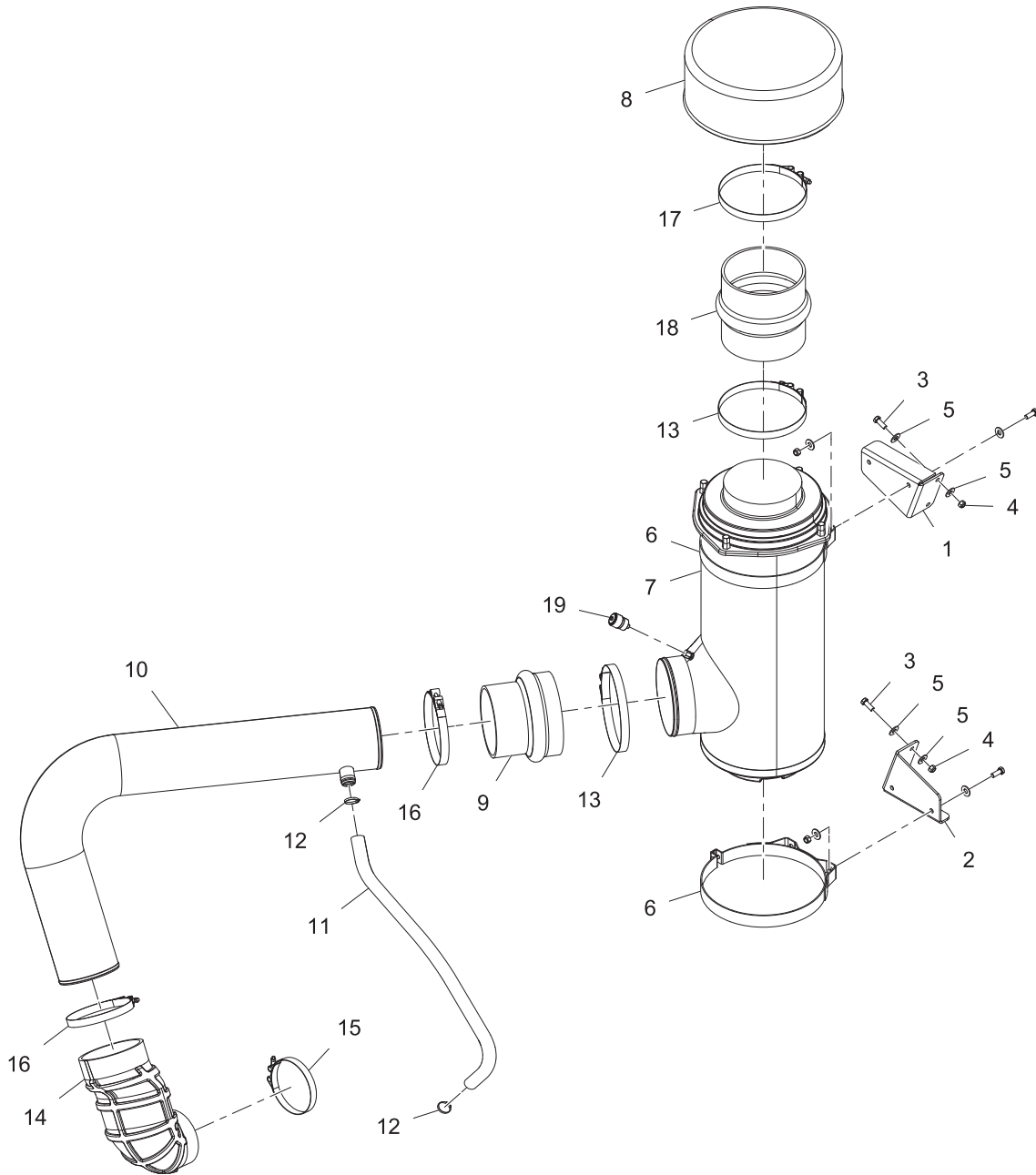
	<b>DEF TANK, ISX</b>	DATE: Released 01-2016	<b>GROUP 3</b>
		MODEL: FD	
		PAGE: 3.8	



REF	PART NO.	DESCRIPTION	QTY	REF	PART NO.	DESCRIPTION	QTY
1	29566	WDMT, Radiator Stand, 2007 .....	1	12	29447	WDMT, Tube, Radiator Strut .....	1
2	30290	Radiator, Cooling Module, MY10 .....	1	13	31971	WDMT, Tube, Radiator	
3	19492	Isolator, Mount, Cab, Rubber .....	2			Strut, CBSD, DD13 .....	1
4	19351	Nut, Lock, Top, 5/8" - 11, ZP, GRC .....	2	14	32024	Spacer, Strut, MY09 .....	2
5	23898	Washer, 11/16" X 2-1/2" X 3/16" .....	2	15	41441	Bolt, HHCS, 1/2" -13 X 3-1/2" GR8 .....	2
6	29868	Surge Tank, Individual, MODINE, EPA-07 .....	1	16	30081	Isolator, Mount, Rad Support, Tier 3 ...	2
7	30661	Cap, Surge Tank, MODINE, Tier 3 .....	1	17	29661	Spacer, 2" OD X 1.25" ID X 1/4" .....	2
8	31970	Shroud, Fan, DD13, MY10 .....	1	18	19331	Washer, Flat, 1/2", ZP .....	4
9	19127	Bolt, HHCS, 1/4" - 20 X 1", GR8 .....	20	19	29604	Bolt, HHCS, 1/2"-13 X 1.5, GR 8 Zinc .....	2
10	32519	Washer, Flat, 1/4", FEND, ZP, 1.0" OD .....	20	20	19354	Nut, Auto Style, 1/2"-13, GRC .....	2
11	29398	Seal, Rubber, Fan Shroud, Tier 3 .....	10FT	21	19093	Washer, Structural, 1/2", ASTM, A325, PF .....	4

WHEN ORDERING PARTS, SPECIFY MODEL NUMBER, SERIAL NUMBER AND DESCRIPTION OF PARTS REQUIRED

	<b>RADIATOR PACKAGE, MTU ENGINE</b>	DATE: Released 01-2016	<b>GROUP 3</b>
		MODEL: FD	
		PAGE: 3.9	



REF	PART NO.	DESCRIPTION	QTY	REF	PART NO.	DESCRIPTION	QTY
1	31989	BRKT, Mount, Air Cleaner, Upper .....	1	11	32672	Hose, 1-3/8" ID, DOT AIRBRK, SAE J1402 .....	3.5FT
2	31990	BRKT, Mount, Air Cleaner, Lower .....	1	12	32901	Clamp, 1.63", T-Bolt .....	2
3	19105	Bolt, HHCS, 3/8" X 1", PF, GR8 .....	8	13	19886	Clamp, T-Bolt, Air Intake, 7.38 DIA .....	2
4	19016	Nut, Lock, 3/8"-16 .....	8	14	31955	Elbow, Rubber Intake, Cobra Head, 6" X 5" .....	1
5	19312	Washer, Flat, 3/8", ZP, GR8 .....	16	15	32299	Clamp, Intake, Cobra Head, 5.62" .....	1
6	16828	Clamp, Air Filter .....	2	16	14733	Clamp, Intake, 6 1/2 IN. .....	2
7	15512	ASSY, Filter, Air, 11 IN, Engine .....	1	17	31649	Clamp, T-Bolt, 7.75" .....	1
8	19482	Pre Cleaner, Engine, 7IN., ENGINEAIRE .....	1	18	16832	Hose, Hump, Straight, 7X7 .....	1
9	23943	Hose, Hump, Rubber Reducing, 7 X 6 .....	1	19	16909	Gauge, Air Filter Intake Restriction .....	1
10	31952	Tube, Air Intake, ALUM, 6", DD13 .....	1				

WHEN ORDERING PARTS, SPECIFY MODEL NUMBER, SERIAL NUMBER AND DESCRIPTION OF PARTS REQUIRED

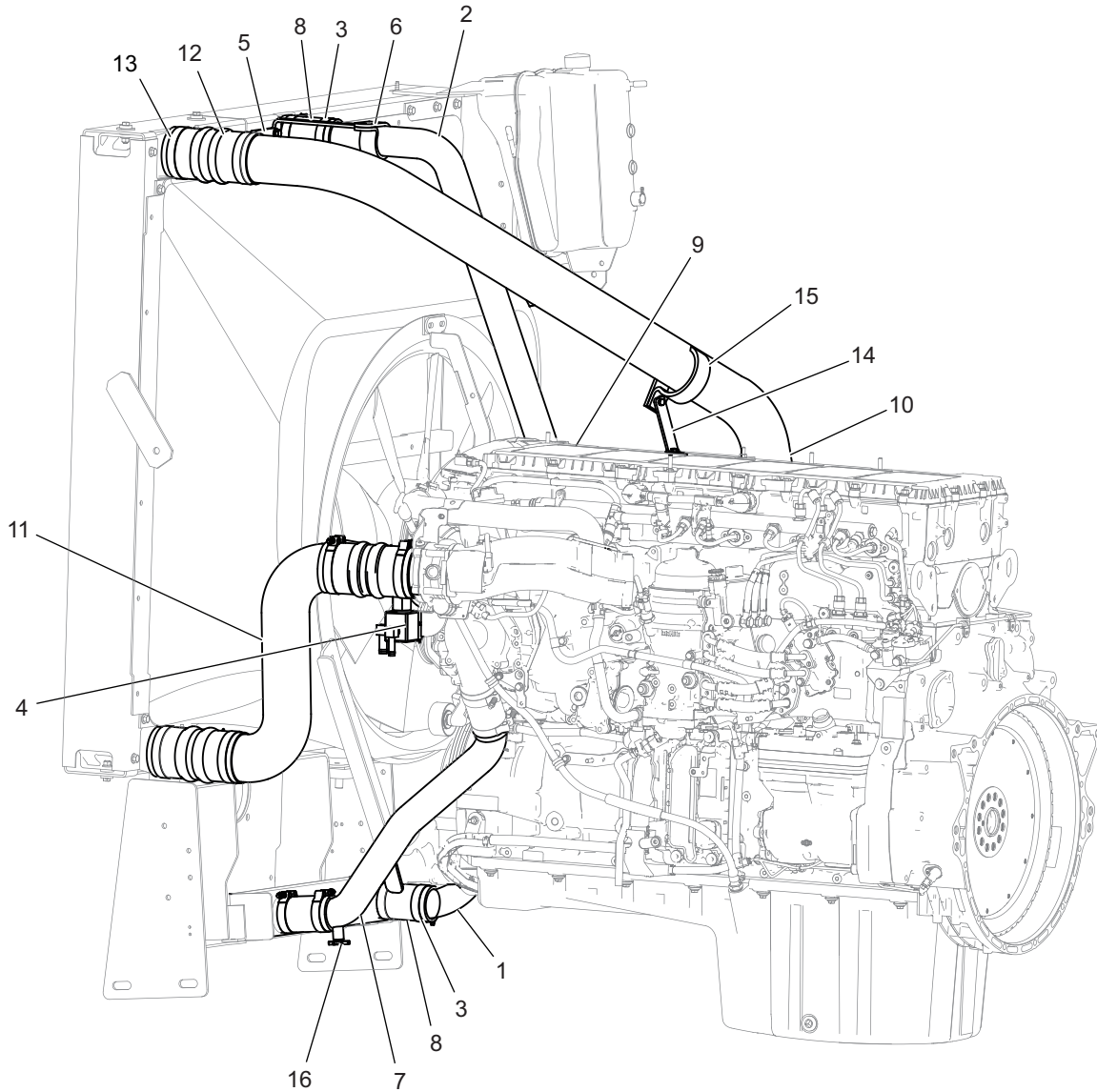


### AIR INTAKE, MTU ENGINE

DATE: Released 01-2016  
 MODEL: FD  
 PAGE: 3.10

GROUP  
**3**





REF	PART NO.	DESCRIPTION	QTY	REF	PART NO.	DESCRIPTION	QTY
1	31981	Pipe, Coolant, Bypass, TRANS, DD13.....	1	8	34853	Hose, Coolant, 2.5" ID X 5.0", MY14 ..	5
2	31947	Tube, Radiator Outlet, Upper, DD13 ..	1	9	31944	EL, RBR, Coolant, 90°, Short 2-1/2" ID .....	1
3	11729	Clamp, Radiator Hose, #287 .....	12	10	31950	CAC Inlet Pipe, DD13 .....	1
4	34076	ASSY, Coolant Return Manifold, MY13 .....	1	11	31951	CAC Outlet Tube, DD13 .....	1
5	34151	Support, Upper Radiator Hose .....	1	12	23068	Hose, Intake, CAC, 4" X 8" X 0.130....	4
6	33363	Strap, Radiator Outlet Tube, ISX11.9L.....	1	13	14737	Clamp, Torque Intake .....	8
7	31949	Pipe, Coolant, Lower, DD13.....	1	14	32670	Bracket, CAC, DD13 .....	1
				15	32671	Strap, Clamp, CAC, DD13 .....	1
				16	12444	Valve Drain, 3/8" Petcock.....	1

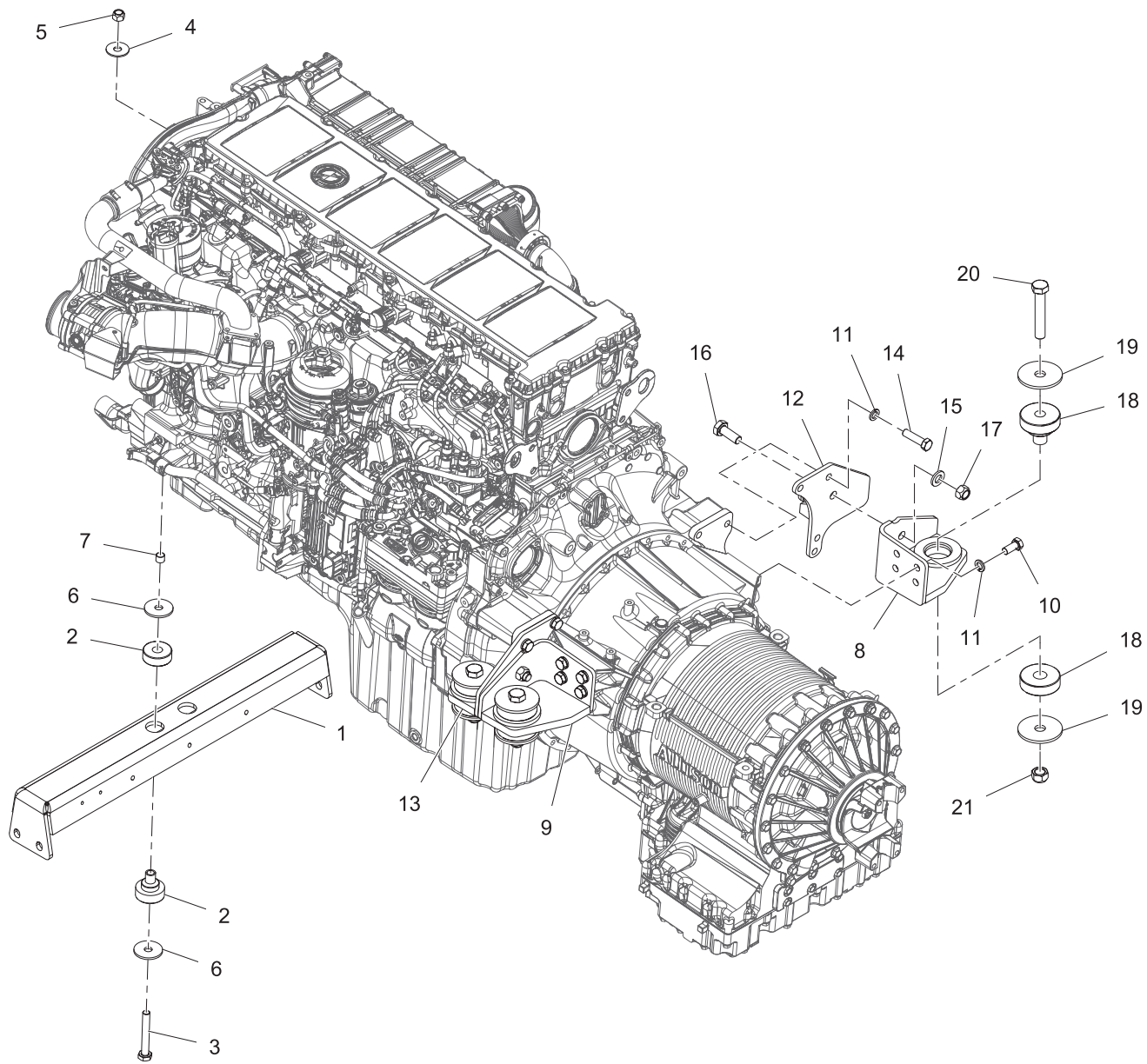
WHEN ORDERING PARTS, SPECIFY MODEL NUMBER, SERIAL NUMBER AND DESCRIPTION OF PARTS REQUIRED



**WATER & CAC PIPING,  
MTU ENGINE**

DATE: Released 01-2016  
MODEL: FD  
PAGE: 3.11

**GROUP  
3**

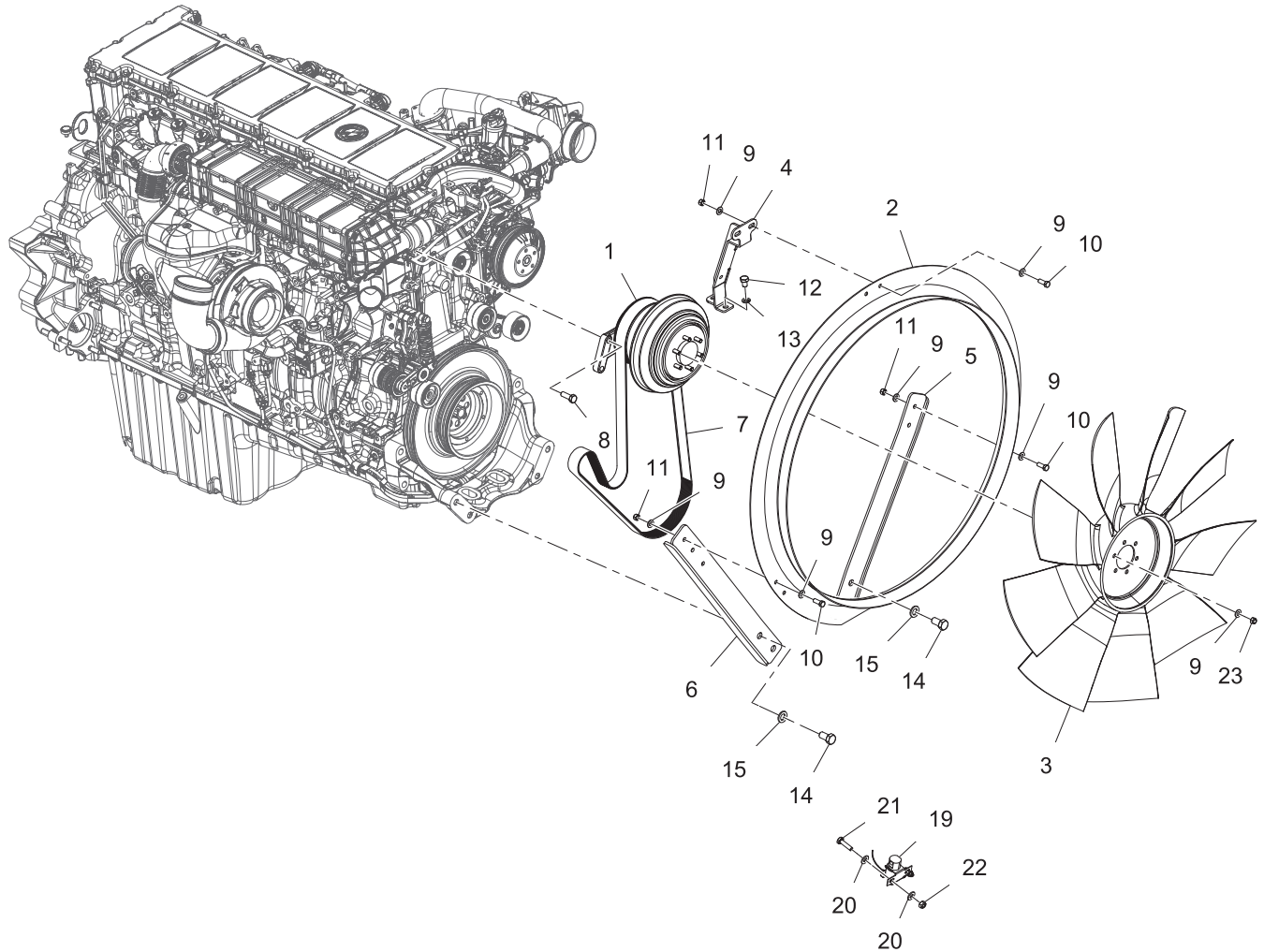


REF	PART NO.	DESCRIPTION	QTY	REF	PART NO.	DESCRIPTION	QTY
1	31973	WDMT, MNT, Engine, Front, EPA-2010 .....	1	13	31980	WDMT, MNT, Engine, Rear CBSD, DD13 .....	1
2	29064	Mount, Isolation, 2PC, ENG & CAB ...	2	14	32322	Bolt, HHCS, M16-1.5 X 60MM, GR10.9, PF .....	8
3	19208	Bolt, HHCS, 5/8"-11 X 4-1/2", GR8.....	2	15	19039	Washer, Structural, 3/4", ASTM, A325, PF .....	2
4	19332	Washer, Flat, 0.668 X 2 X 0.125 SPCL .....	4	16	19122	Bolt, HHCS, 3/4"-10 X 2", PF, GR8 .....	2
5	19351	Nut, Lock, Top, 5/8"-11, ZP, GRC .....	2	17	19343	Nut, Lock, Top, 3/4"-10, GRC.....	2
6	23898	Washer, 11/16" X 2-1/2" X 3/16" .....	4	18	29369	Isolator, Mount, Engine, Front, EPA-07 .....	2
7	31468	Spacer, Bolt, ENG Mount, Front, EPA-07 .....	2	19	29368	Washer, Snub, Isolator, Engine, Rear, 07 .....	8
8	31764	WDMT, MNT, Transmission, RDSD....	1	20	30344	Bolt, HHCS, 7/8"-9 X 5", PF, GR8.....	4
9	31793	WDMT, MNT, Transmission, CBSD....	1	21	40051	Nut, Lock, Top, 7/8"-9, ZP, GRC .....	4
10	22344	Bolt, HHCS, M16-2.0 X 35, PF, GR10.9 .....	8				
11	32040	Washer, Lock, Split, M16 Zinc .....	16				
12	31975	WDMT, MNT, Engine, Rear, RDSD, DD13 .....	1				

WHEN ORDERING PARTS, SPECIFY MODEL NUMBER, SERIAL NUMBER AND DESCRIPTION OF PARTS REQUIRED

	<h2>ENGINE &amp; TRANS MNTG MTU</h2>	DATE: Released 01-2016	<b>GROUP</b>  <b>3</b>
		MODEL: FD	
		PAGE: 3.12	



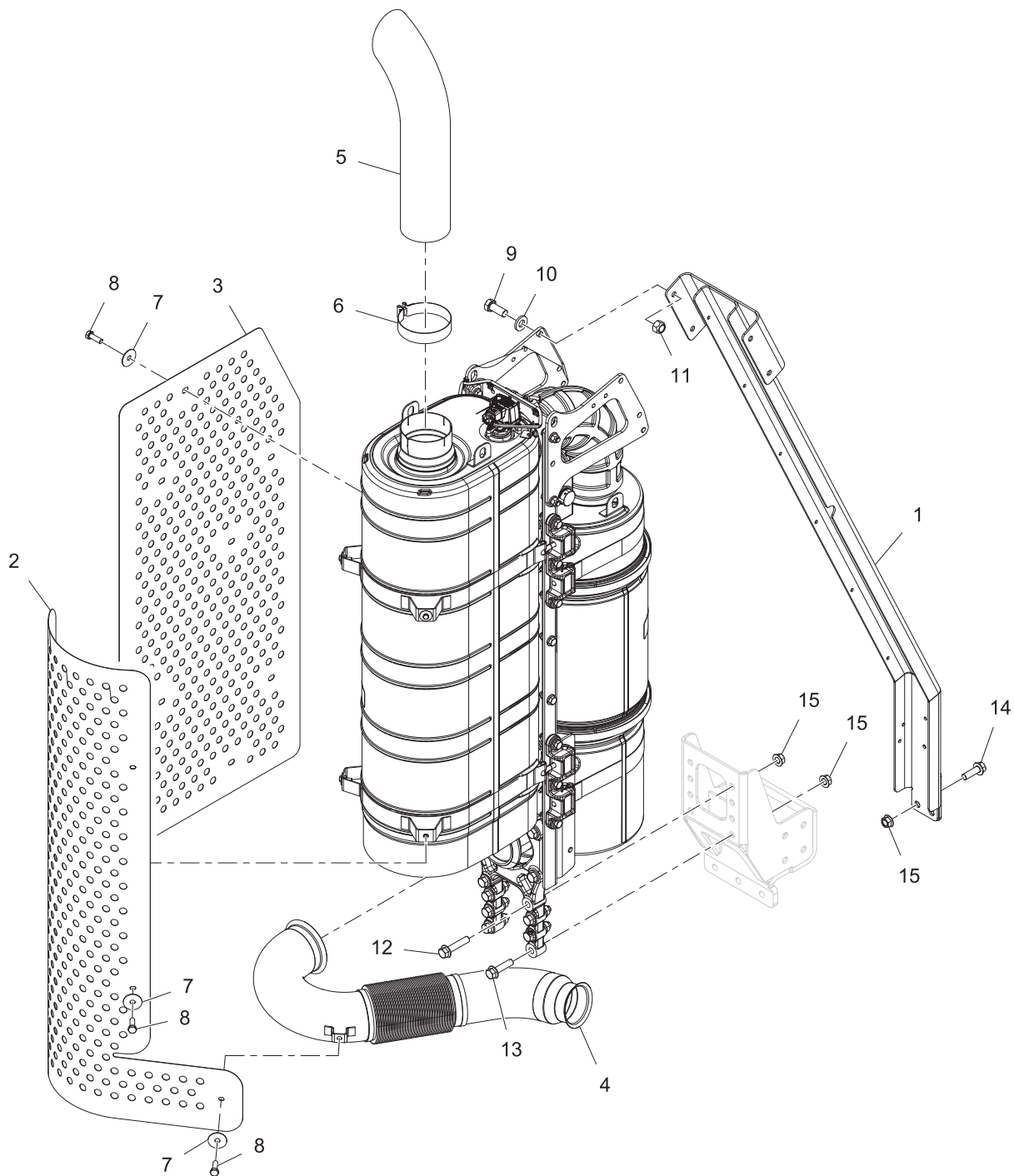


REF	PART NO.	DESCRIPTION	QTY	REF	PART NO.	DESCRIPTION	QTY
1	31967	Clutch, Fan Hub, DD13 .....	1	12	32317	Bolt, HHCS, M12-1.5 X 16MM, PF, GRD8 .....	2
2	31965	Shroud, Metal Ring, Engine .....	1	13	40254	Washer, Lock, M12 .....	2
3	31966	Fan, 32"DIA, 2.56" Pilot, DD13 .....	1	14	30913	Bolt, HHCS, M16-1.5 X 30MM, GR 8.8 .....	4
4	31958	WDMT, Upper Fan Ring Support, DD13 .....	1	15	32320	Washer, Flat, M16, GR 8.8, PF .....	4
5	31961	WDMT, LWR Ring MNT, CBSD, DD13 .....	1	16*	28090	FTG, EL, Push To CONN, 1/8" NPT X 1/4" .....	1
6	31964	WDMT, LWR Ring MNT, RDSB, DD13 .....	1	17*	15347	Tubing, Air, 1/4 IN OD, SYNFLEX .....	5
7	31968	Belt, Fan Drive, 10 Rib, PK-2 .....	1	18*	33648	FTG, Tee, 1/8" NPT X 3/8" X 3/8" Tube PTC .....	1
8	32321	Bolt, HEX, Flange, M12-1.5X35 GR8.8, PF .....	4	19	30414	Valve, Solenoid, Fan Clutch, Horton ...	1
9	19045	Washer, Flat, 3/8", GR2 .....	18	20	19053	Washer, Flat, 1/4", SAE, ZP .....	4
10	19105	Bolt, HHCS, 3/8" X 1", PF, GR8 .....	6	21	19127	Bolt, HHCS, 1/4"-20 X 1", PF, GR8 .....	2
11	19353	Nut, Lock, Top, 3/8"-16, ZP, GRC .....	6	22	19352	Nut, Lock, Top, 1/4"-20, ZP, GRC .....	2
				23		Nut, Lock, 3/8"-34, GR8, YZ .....	6

\* ITEMS 16, 17 & 18 ARE NOT SHOWN IN THE ILLUSTRATION

WHEN ORDERING PARTS, SPECIFY MODEL NUMBER, SERIAL NUMBER AND DESCRIPTION OF PARTS REQUIRED

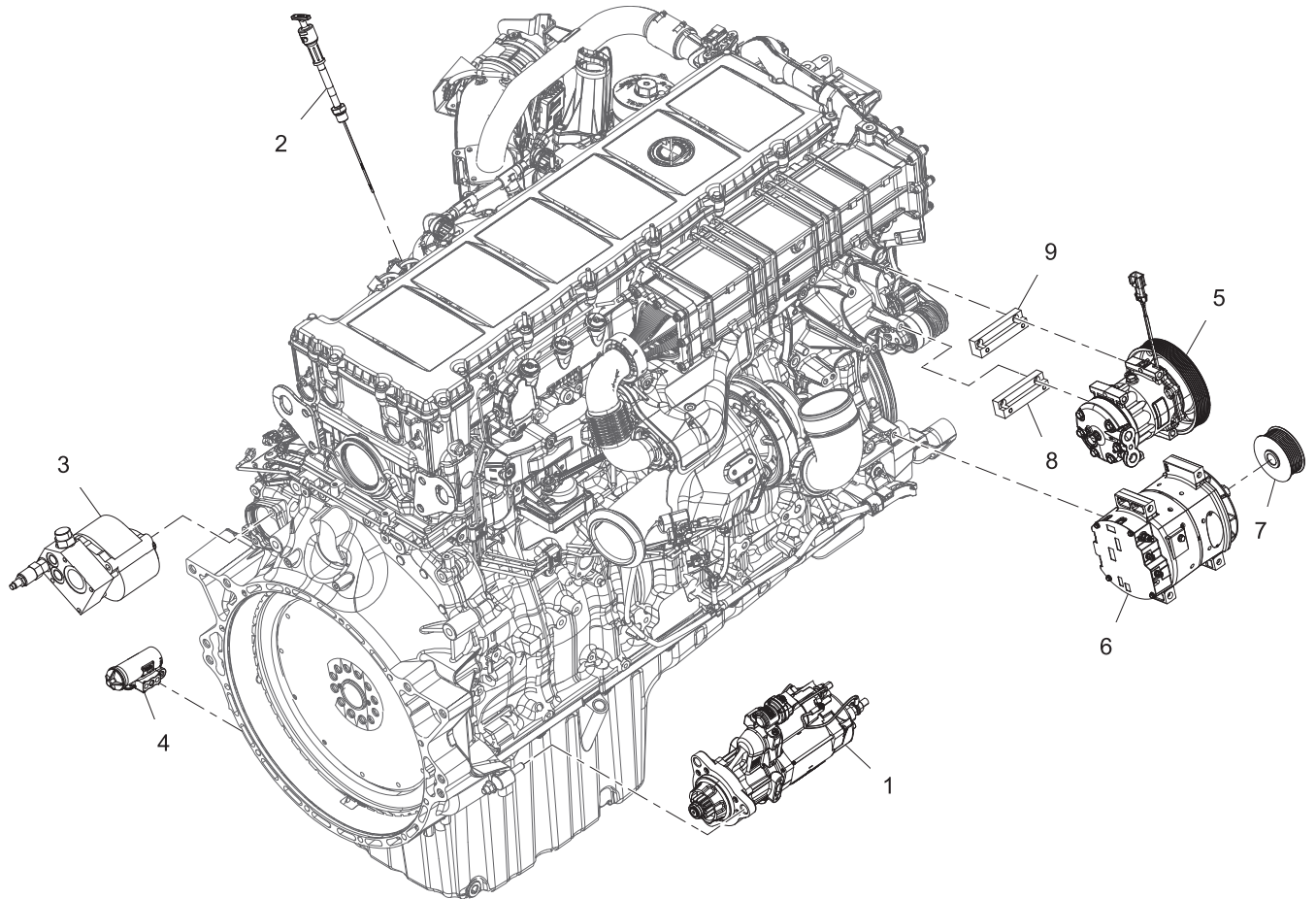
	<p><b>FAN CLUTCH &amp; RING SHROUD</b> <b>MTU</b></p>	DATE: Released 01-2016	<p><b>GROUP</b> <b>3</b></p>
		MODEL: FD	
		PAGE: 3.13	



REF	PART NO.	DESCRIPTION	QTY	REF	PART NO.	DESCRIPTION	QTY
1	31986	WDMT, Rack, MFLR, DPF/SCR, DD13 .....	1	9	19112	Bolt, HHCS, 1/2"-13 X 1-1/4", PF, GR8 .....	4
2	32300	Guard, Heat, DPF/SCR, DD13 .....	1	10	19093	Washer, Structural, 1/2", ASTM, A325, PF .....	4
3	34022	Guard2, Heat, DPF/SCR, DD13 .....	1	11	19354	Nut, Auto Style, 1/2"-13, GRC .....	4
4	32291	WDMT, FLEX Exhaust, DD13 .....	1	12	14470	Bolt, FLNG, 5/8"-18 X 3", PO, GR8 .....	2
5	14564	Stack, Exhaust, 5 IN.OD X 24 IN. L .....	1	13	14462	Bolt, FLNG, 5/8"-18 X 2-1/2", PO, GR8 .....	6
6	31049	Clamp, Seal, 5", SS, Exhaust .....	1	14	14464	Bolt, FLNG, 5/8"-18 X 2", PO, GR8 .....	2
7	31560	Washer, Fender, SS, 5/16" .....	11	15	14461	Nut, Lock, Flange, 5/8"-18, GR8 .....	10
8	31575	Bolt, HHCS, 5/16"-18 X 1", 55 .....	11				

WHEN ORDERING PARTS, SPECIFY MODEL NUMBER, SERIAL NUMBER AND DESCRIPTION OF PARTS REQUIRED

	<b>AFTERTREATMENT, SCR/DPF, MTU</b>	DATE: Released 01-2016	<b>GROUP 3</b>
		MODEL: FD	
		PAGE: 3.14	



REF	PART NO.	DESCRIPTION	REF	PART NO.	DESCRIPTION
1	31984	Starter, 39MT, 12VDC	5	34266	Compressor AC Sanden W/180MM MY13
2	31946	Indicator, Fluid Level, Engine, DD13	6	31812	Alternator, 36SI, 155 AMP, 12VDC
3	32231	Pump, STRG, 1.51CI, CCW, 7.5GPM, RLF, 11T	7	32309	Pulley, Alternator, 8 Groove
4	12470	Governor, Air	8	34242	Bracket, AC, MTU, Sanden, 4326 Bottom
			9	34265	Bracket, AC, MTU, Sanden, 4326 Top

WHEN ORDERING PARTS, SPECIFY MODEL NUMBER, SERIAL NUMBER AND DESCRIPTION OF PARTS REQUIRED

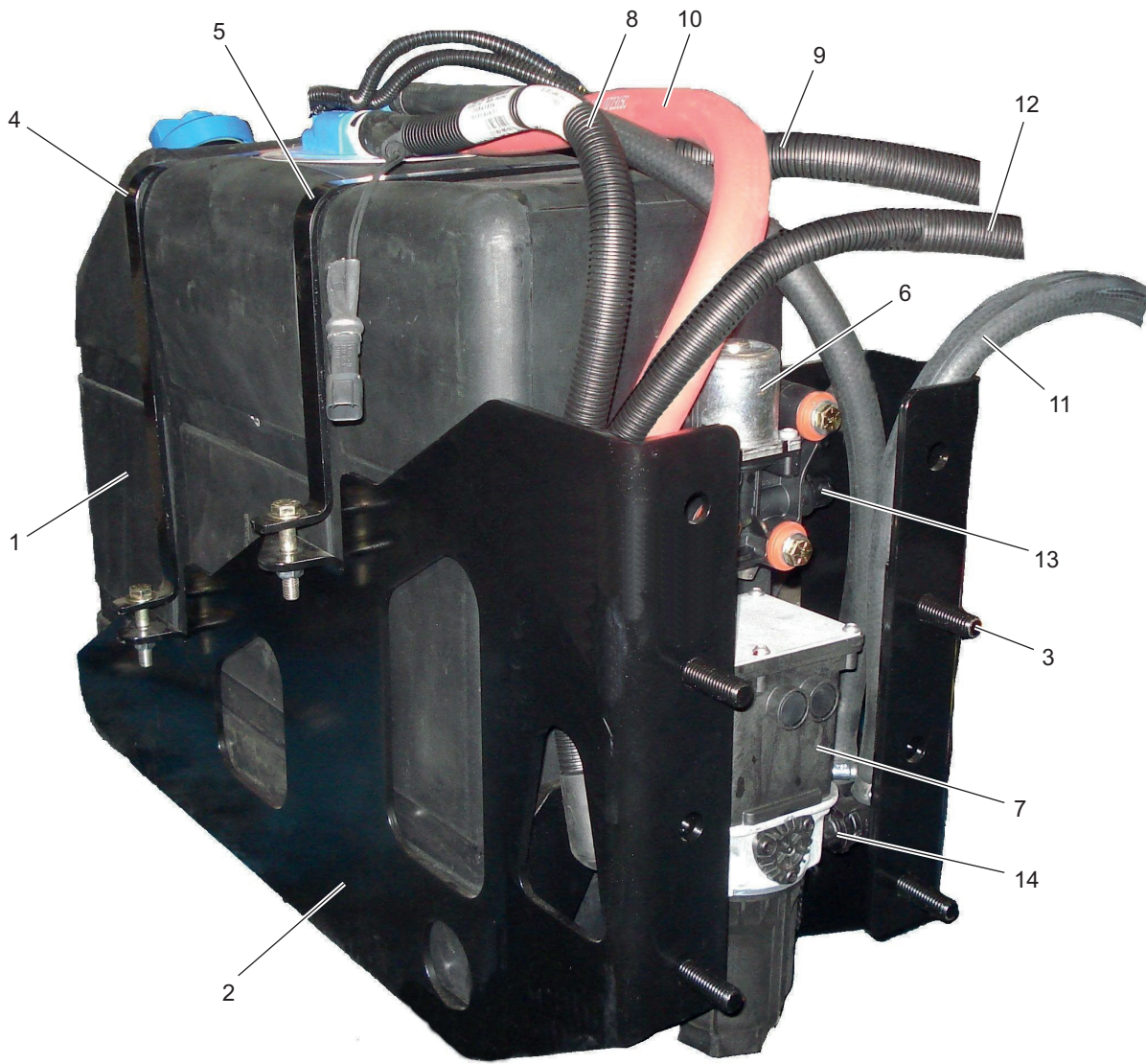


ENGINE COMPONENTS, MTU

DATE: Released 01-2016  
 MODEL: FD  
 PAGE: 3.15

GROUP  
**3**





REF	PART NO.	DESCRIPTION	REF	PART NO.	DESCRIPTION
1	33828	Tank, DEF, 10 GAL, MTU, MY13	8	33824	Hose, DEF, Suction, MTU, MY13
2	33839	WDMT, BRKT, DEF Tank, 10GAL, MY13	9	33825	Hose, DEF, Return, MTU, MY13
3	34206	WDMT, DEF Tank Holder	10	30436	Hose, Heater, 5/8", GST-2, Red
4	33786	Strap, DEF, 10 GAL, Front	11	33862	Hose, 1/2" ID, BLK, GST-2
5	33787	Strap, DEF, 10 GAL, Rear	12	33823	Hose, DEF, Pressure, MTU, MT13
6	33826	Valve, Coolant, DEF, MY13	13	33857	FTG, NORMA NQ PS3 NW12 X 16MM 90°
7	33827	Pump, DEF Supply Unit, MTU, MY13	14	33859	FTG, NORMA NQ PS3 NW8 X 14MM 90°

WHEN ORDERING PARTS, SPECIFY MODEL NUMBER, SERIAL NUMBER AND DESCRIPTION OF PARTS REQUIRED



DEF TANK-MTU

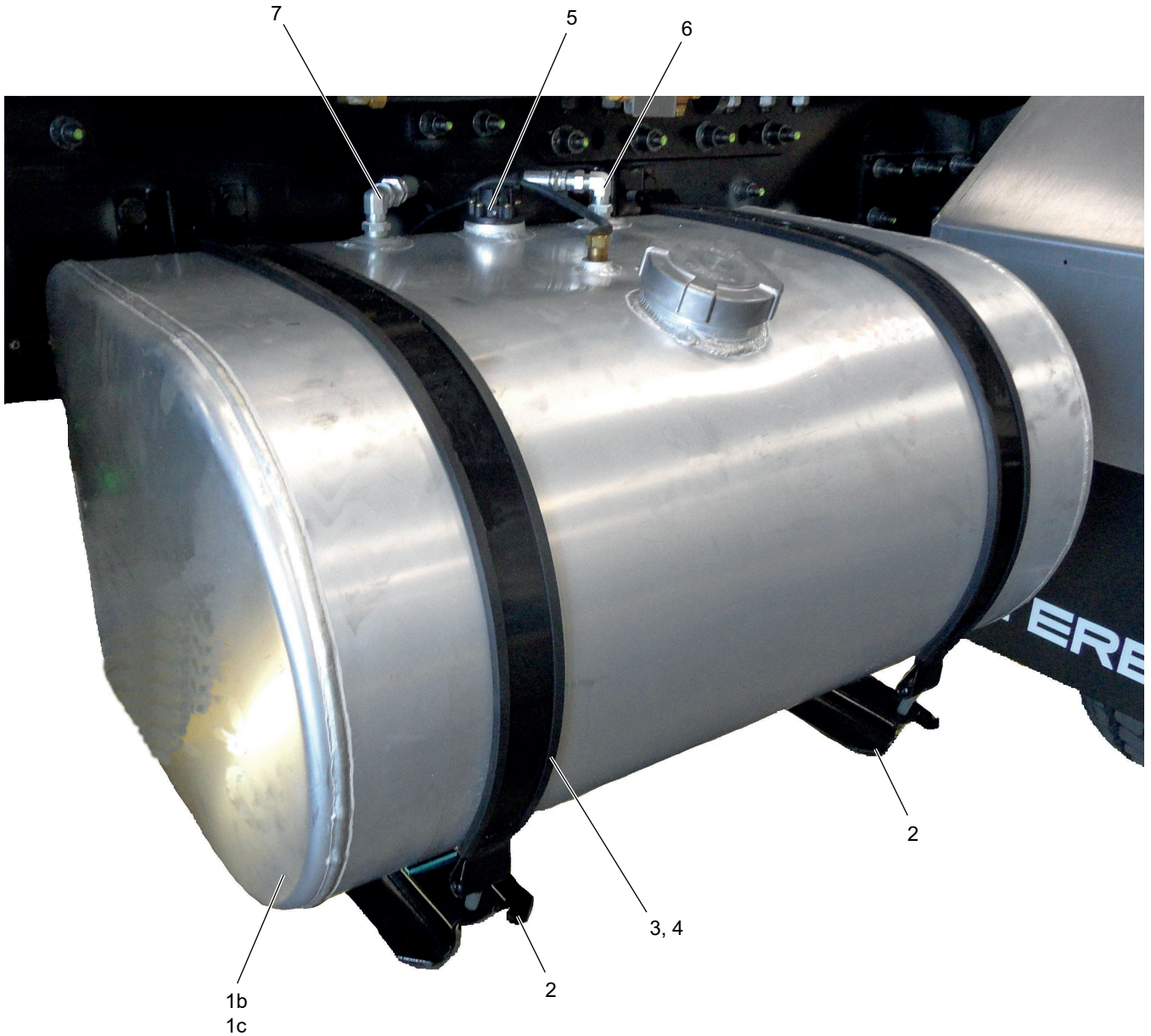
DATE: Released 01-2016

MODEL: FD

PAGE: 3.16

GROUP

3



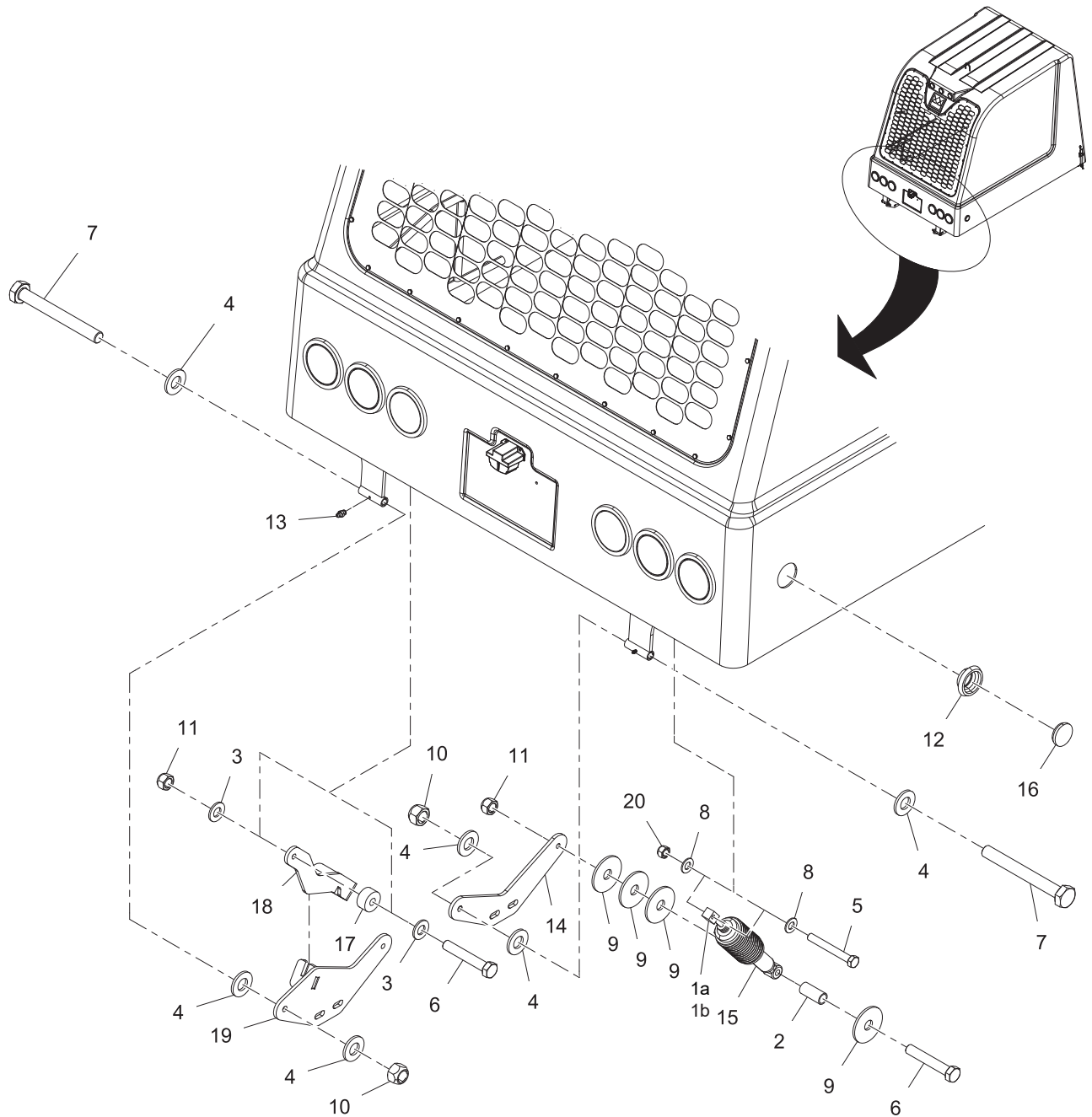
REF	PART NO.	DESCRIPTION	REF	PART NO.	DESCRIPTION
1	32860	Tank, Fuel, AL, 50GAL, D-Shape, MY10	4	15015	Insulator, Strap
	32170	Tank, Fuel, AL, 70GAL, D-Shape, MY10	5	31311	Sender, Fuel, ISSPRO, 20 Inch Tube
	32173	Tank, Fuel, AL, 80GAL, D-Shape, MY10	6	12160	FTG, 90° M EL, JIC 1/2" TOD X 1/2" NTP
2	17277	Saddle, D-Shape, 80 GAL	7	12157	FTG, 90° M EL, JIC 5/8" TOD X 1/2" NTP
3	13022	Strap, D-Shape, 80 GAL- 45 3/8"			

WHEN ORDERING PARTS, SPECIFY MODEL NUMBER, SERIAL NUMBER AND DESCRIPTION OF PARTS REQUIRED

	<h2>FUEL TANK</h2>	DATE: Released 01-2016	<b>GROUP</b>  <b>3</b>
		MODEL: FD	
		PAGE: 3.17	



**HOODS**



REF	PART NO.	DESCRIPTION	QTY	REF	PART NO.	DESCRIPTION	QTY
1	11345	Lug, Hood Lift, Short Style.....	2	10	19351	Nut, Lock, Top, 5/8"-11, ZP, GRC.....	2
	23579	Lug, Hood Lift, Long Style .....	2	11	19354	Nut, Auto Style, 1/2"-13, GRC.....	3
	11350	Spacer-Hood Shock .....	2	12	19537	Grommet, MOL 10 Open Back .....	5
2	19043	Washer, Flat, 1/2" .....	2	13	22165	Grease Zerk, 1/4"-28, Straight .....	2
3	19086	Washer, Flat, 5/8" .....	6	14	29703	Plate, MNT, Hood, Rear, Pivot, V.....	1
4	19148	Bolt, HHCS, 3/8"-16 X 3", PF, GR8 ....	2	15	30413	Shock HD Hood .....	2
5	19154	Bolt, HHCS, 1/2"-13 X 3", PF, GR8 ....	3	16	33605	2 1/2" RND, LED, Light, Marker .....	5
6	19209	Bolt, HHCS, 5/8"-11 X 5-1/2", PF, GR8.....	2	17	34407	Spacer, 1.5 OD X 0.53 ID X 3/4" .....	1
7	19272	Washer, Flat, 3/8", SAE, HHS, PF.....	8	18	34497	Hood PROP, Auto Latch, MY14 .....	1
8	19331	Washer, Flat, 1/2", ZP, SPL .....	8	19	34525	WDMT, Auto Latch, Hood Pivot .....	1
				20	19353	Nut, Lock, Top, 3/8"-16, ZP, GRC .....	8

WHEN ORDERING PARTS, SPECIFY MODEL NUMBER, SERIAL NUMBER AND DESCRIPTION OF PARTS REQUIRED



**HOOD MODEL YEAR 2015**

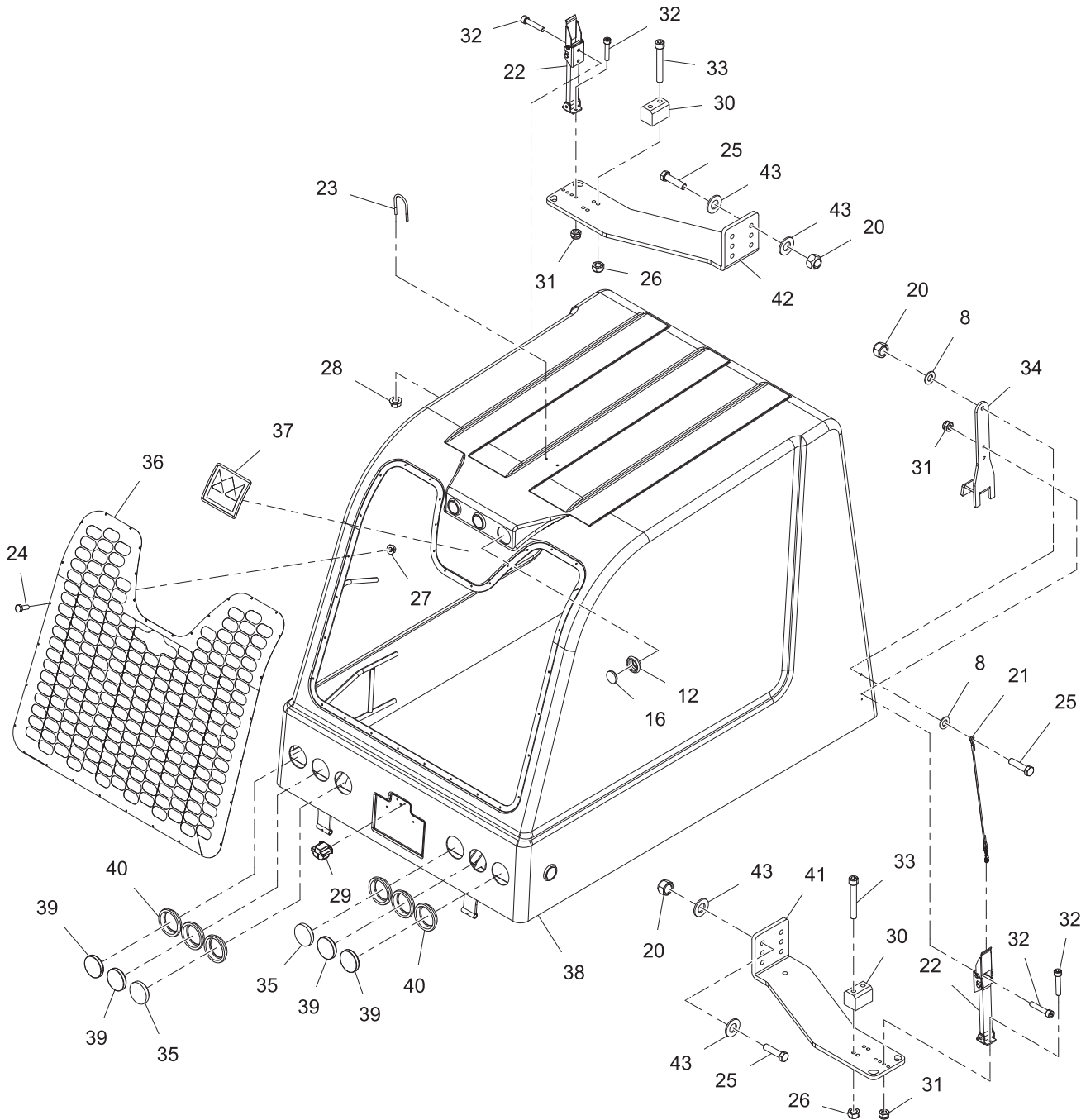
DATE: Released 01-2016

MODEL: FD

PAGE: 4.1

**GROUP**

**4**



REF	PART NO.	DESCRIPTION	QTY	REF	PART NO.	DESCRIPTION	QTY
21	11360	Cable, Safety, Hood .....	1	32	32011	SHCS, 10-32 X 1", ZP.....	8
22	13094	Latch, FLEX Draw .....	2	33	32061	Bolt, SHCS, 1/4-20 X 1.75".....	4
23	17590	Clamp, Exhaust, 2 1/2 IN U-Bolt .....	1	34	32146	Bracket, Hood, Landing MY10.....	2
24	19061	Bolt, HHCS, 1/4"-20 X 3/4", SS.....	32	35	33606	4" RND, LED, Light, Back-up.....	2
25	19109	Bolt, HHCS, 3/8"-16 X 1-1/2", PF, GR8 .....	6	36	34404	Hood Grill, CNG, MY13.....	1
26	19352	Nut, Lock, Top, 1/4"-20, ZP, GRC.....	4	37	34405	Decal, Terex Crown, Red.....	1
27	24993	Nut, Lock, Flange, 1/4"-20, GR8.....	32	38	34773	Hood, STD, MY14.....	1
28	27017	Nut, Flange, 3/8" .....	2	39	40661	4" RND, LED, Stop/ Turn/ Tail, Light...4	4
29	30233	Light, License Plate LED.....	1	40	40663	4" Rubber Grommet.....	6
30	32002	Pad, Hood Rest, 2010.....	2	41	32668	Plate, Hood Rest, SS, MY11.....	1
31	32009	Nut, NY Lock, 10-32, ZP.....	8	42	32669	Plate, Hood Rest, CS, MY11.....	1
				43	19045	Washer Flat 3/8" GR8 YZ.....	8

WHEN ORDERING PARTS, SPECIFY MODEL NUMBER, SERIAL NUMBER AND DESCRIPTION OF PARTS REQUIRED

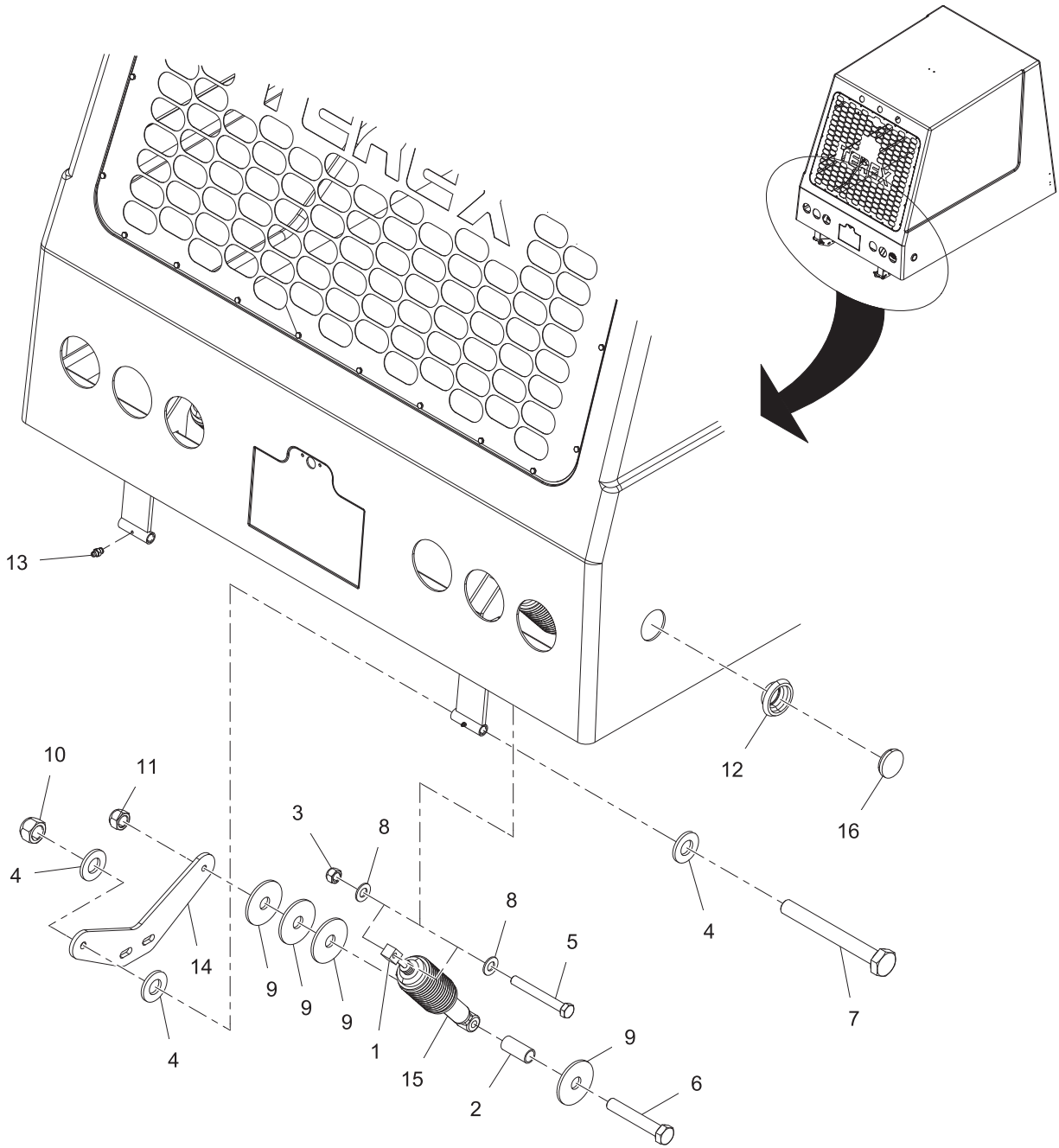


**HOOD MODEL YEAR 2015**

DATE: Released 01-2016  
 MODEL: FD  
 PAGE: 4.2

**GROUP**  
**4**

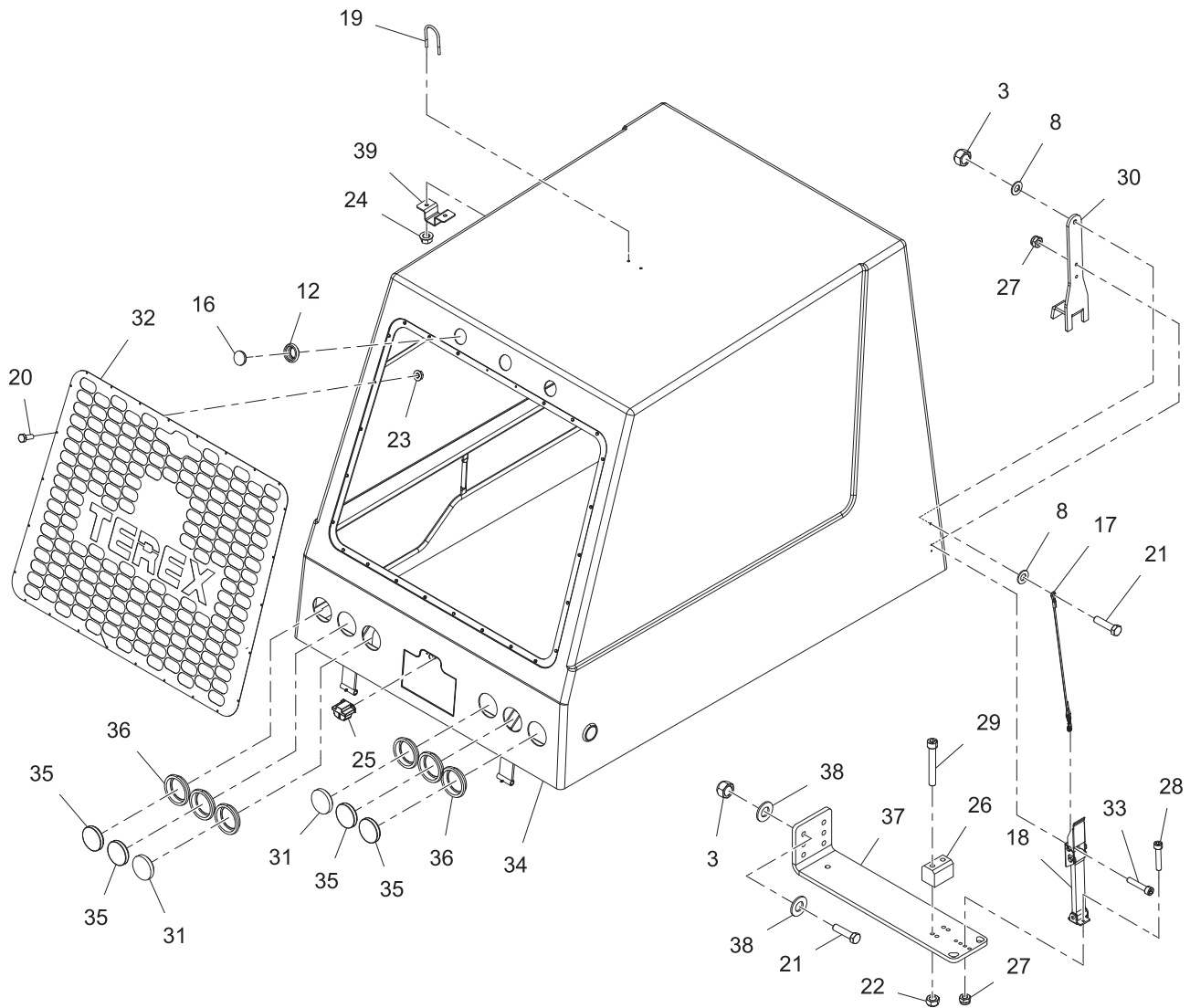
**HOODS**



REF	PART NO.	DESCRIPTION	QTY	REF	PART NO.	DESCRIPTION	QTY
1	11345	Lug, Hood Lift, Short Style.....	2	9	19331	Washer, Flat, 1/2", ZP, SPL.....	8
2	11350	Spacer-Hood Shock .....	2	10	19351	Nut, Lock, Top, 5/8"-11, ZP, GRC.....	2
3	19353	Nut, Lock, Top, 3/8"-16, ZP, GRC.....	8	11	19354	Nut, Auto Style, 1/2"-13, GRC.....	2
4	19086	Washer, Flat, 5/8" .....	6	12	19537	Grommet, MOL 10 Open Back .....	5
5	19148	Bolt, HHCS, 3/8"-16 X 3", PF, GR8 ....	2	13	22165	Grease Zerk, 1/4"-28, Straight .....	2
6	19154	Bolt, HHCS, 1/2"-13 X 3", PF, GR8 ....	2	14	29703	Plate, MNT, Hood, Rear, Pivot, V.....	2
7	19209	Bolt, HHCS, 5/8"-11 X 5-1/2", PF, GR8.....	2	15	30413	Shock HD Hood.....	2
8	19272	Washer, Flat, 3/8", SAE, HHS, PF.....	8	16	33605	2 1/2" RND, LED, Light, Marker.....	5

WHEN ORDERING PARTS, SPECIFY MODEL NUMBER, SERIAL NUMBER AND DESCRIPTION OF PARTS REQUIRED

	<p><b>HOOD MODEL YEAR 2010</b></p>	DATE: Released 01-2016	<p><b>GROUP</b> <b>4</b></p>
		MODEL: FD	
		PAGE: 4.3	



REF	PART NO.	DESCRIPTION	QTY	REF	PART NO.	DESCRIPTION	QTY
17	11360	Cable, Safety, Hood .....	1	28	32011	SHCS, 10-32 X 1", ZP.....	4
18	13094	Latch, FLEX Draw .....	2	29	32061	Bolt, SHCS, 1/4-20 X 1.75".....	4
19	17590	Clamp, Exhaust, 2 1/2 IN U-Bolt .....	1	30	32146	Bracket, Hood, Landing MY10.....	2
20	19061	Bolt, HHCS, 1/4"-20 X 3/4", SS.....	24	31	33606	4" RND, LED, Light, Back-Up.....	2
21	19109	Bolt, HHCS, 3/8"-16 X 1-1/2", PF, GR8 .....	6	32	29380	Grill, Hood, 2007 W/Logo.....	1
22	19352	Nut, Lock, Top, 1/4"-20, ZP, GRC.....	4	33	32010	SHCS, 10-32 X 5/8", ZP.....	4
23	24993	Nut, Lock, Flange, 1/4"-20, GR8.....	24	34	32145	Shell, Hood, MY10.....	1
24	27017	Nut, Flange, 3/8".....	2	35	40661	4" RND, LED, Stop/ Turn/ Tail, Light...4	4
25	30233	Light, License Plate LED.....	1	36	40663	4" Rubber Grommet.....	6
26	32002	Pad, Hood Rest, 2010.....	2	37	32147	Hood Rest, Plate, MY10.....	2
27	32009	Nut, NY Lock, 10-32, ZP.....	8	38	19045	Washer Flat 3/8" GR8 YZ.....	8
				39	33672	U-Bolt, Hood Lift.....	1

WHEN ORDERING PARTS, SPECIFY MODEL NUMBER, SERIAL NUMBER AND DESCRIPTION OF PARTS REQUIRED



**HOOD MODEL YEAR 2010**

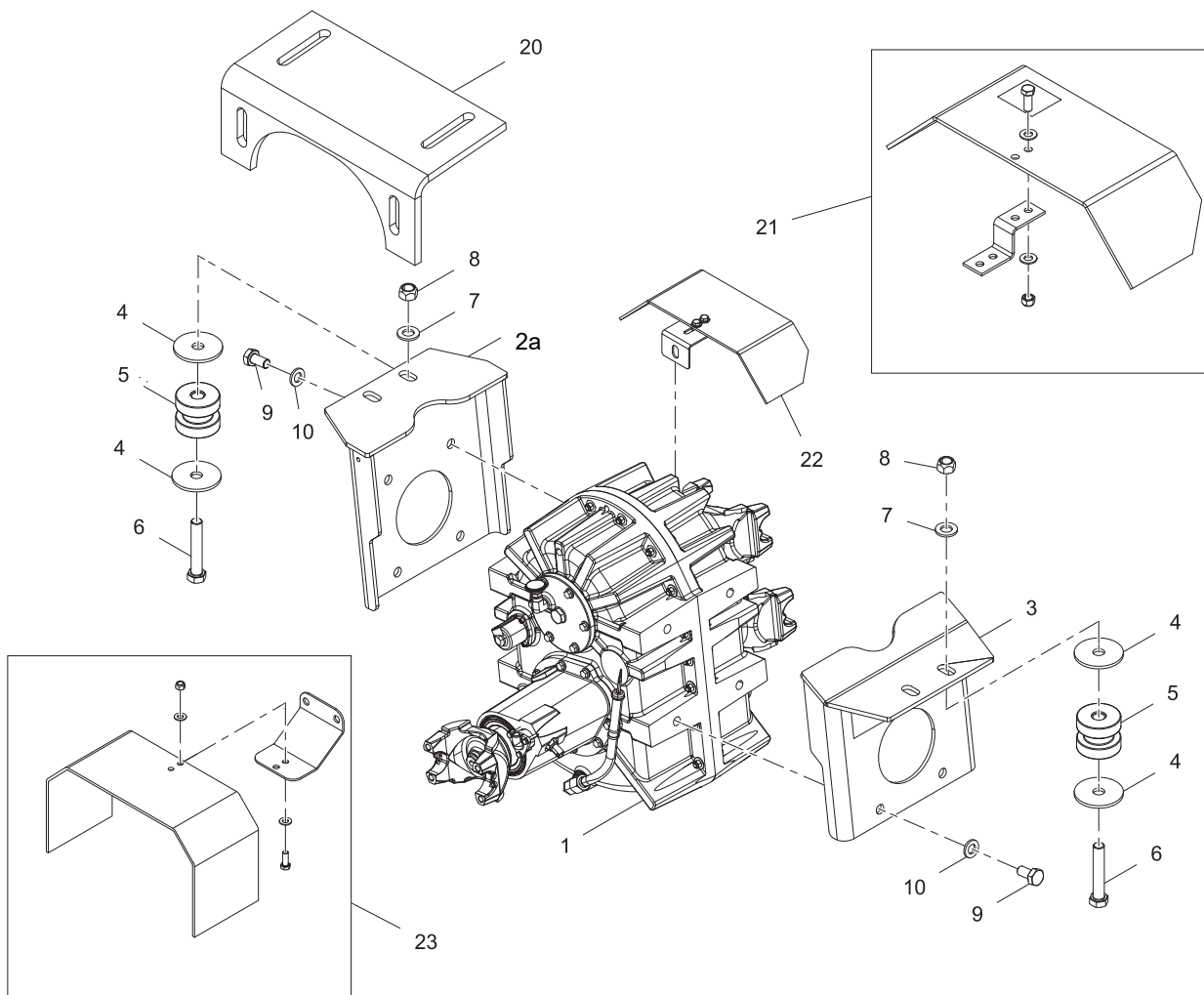
DATE: Released 01-2016

MODEL: FD

PAGE: 4.4

**GROUP**

**4**



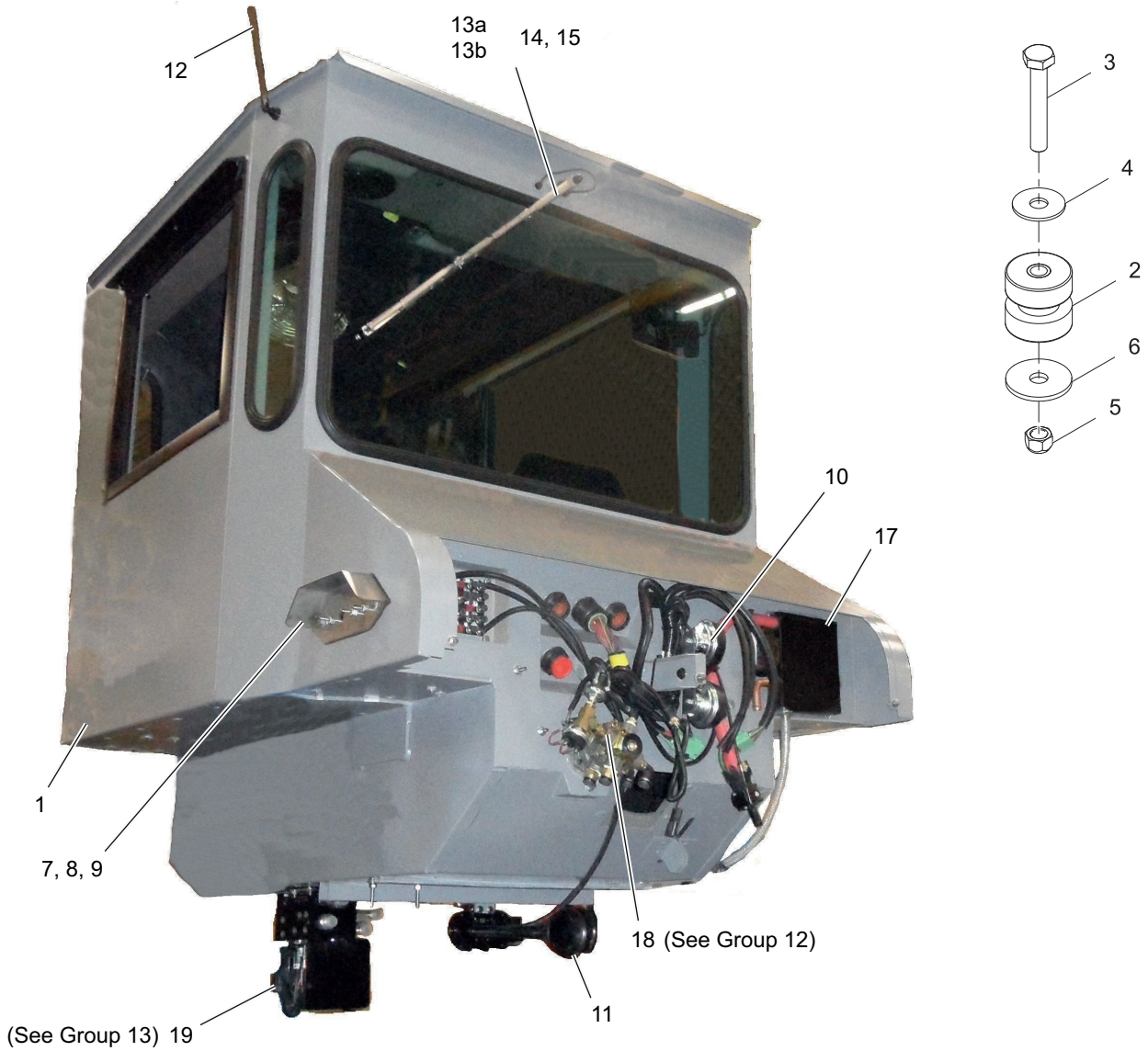
REF	PART NO.	DESCRIPTION	QTY	REF	PART NO.	DESCRIPTION	QTY
1	12905	T-Case, Cushman, 2SPD, 1:1.....	1	8	40051	Nut, Lock, Top, 7/8"-9, ZP, GRC .....	4
2	33495	WDMT, T-Case MNT, Cushman CB SD, MY13 (Used On FD3000, FD4000, FDB4000, FD000GL).....	1	9	19200	Bolt, HHCS, 3/4-10 X 1-1/2, GR8.....	8
	33796	WDMT, Bracket, T-Case, Straight (Used On FD6000MS, FDB5000, FDB6000, FDB7000).....	1	10	19039	Washer, Flat, 3/4 A325 .....	8
3	33497	WDMT, T-Case MNT, Cushman RDSD, MY13 (Used On FD3000, FD4000, FDB4000, FD000GL).....	1	11*	19557	Valve, DBL Check W/Leg .....	1
	33796	WDMT, Bracket, T-Case, Straight, (Used On FD6000MS, FDB5000, FDB6000, FDB7000) .....	1	12*	19127	Bolt, HHCS, 1/4"-20 X 1", GR8.....	1
4	29368	Washer, SNUB, Isolator, Engine, Rear, 07 .....	8	13*	19053	Washer, Flat, 1/4", SAE, ZP .....	2
5	29369	Isolator, Mount, Engine, Rear, Tier 3 .....	4	14*	19352	Nut, Lock, Top, 1/4"-20, ZP, GRC .....	1
6	30344	Bolt, HHCS, 7/8"-9 X 5", PF, GR8.....	4	15*	28607	FTG, PTC, 90° EL, 3/8"NPT X 1/4"Tube .....	2
7	19075	Washer, Structural, 7/ 8", ASTM, A325, PF .....	4	16*	33654	FTG, Tee, 3/8" NPT X 1/4" X 1/4" Tube PTC .....	1
				17*	13080	FTG, Branch T, Male, 3/8" NPT X 3/8" FPT .....	1
				18*	16915	Strap, Driveline .....	6
				19*	19345	Bolt, C-Bore W/Pitch, 1/2-20 X 1" .....	12
				20	11241	BRKT, Mount, Center Bearing .....	1
				21	26965	ASSY, Grease Shield, Rear .....	1
				22	34526	ASSY, Grease Shield, T-Case, 2013..	1
				23	35343	ASSY, Grease Shield, Transmission ..	1

\*ITEMS 11 TO 19 ARE NOT SHOWN IN THE ILLUSTRATION

WHEN ORDERING PARTS, SPECIFY MODEL NUMBER, SERIAL NUMBER AND DESCRIPTION OF PARTS REQUIRED

	<h2>TRANSFER CASE, CUSHMAN</h2>	DATE: Released 01-2016	<b>GROUP</b>  <h1>5</h1>
		MODEL: FD	
		PAGE: 5.1	





REF PART NO. DESCRIPTION

1	33509	Cab, STD, Shell, MY13
	34081	Cab, Workspace, Shell, MY13
2	34532	Isolator, Cab, Barry Controls 43003-3
3	19163	Bolt, HHCS, 5/8" -11 X 4", GR8
4	19332	Washer, Flat 0.668 X 2 X 0.125 SPCL
5	19351	Nut, Lock, Top, 5/8" -11, ZP, GRC
6	23898	Washer, 11/16" X 2-1/2" X 3/16"
7	30903	Guard/bracket, Switch, Electric/HYDR
8	30872	Placard, Select/HYDR Controls External
9	24419	Switch, Spot, (Environmentally Sealed)
10	20041	Horns, ELECHI & LO
11	33525	Horn, Air, Cab, MY13
12	16870	Antenna, Radiomast, Rubber
13	19976	Motor, Wiper W/Dynamicpark, STD Cab
	28251	ASSY, Motor, Unitized, WRKSPC Cab

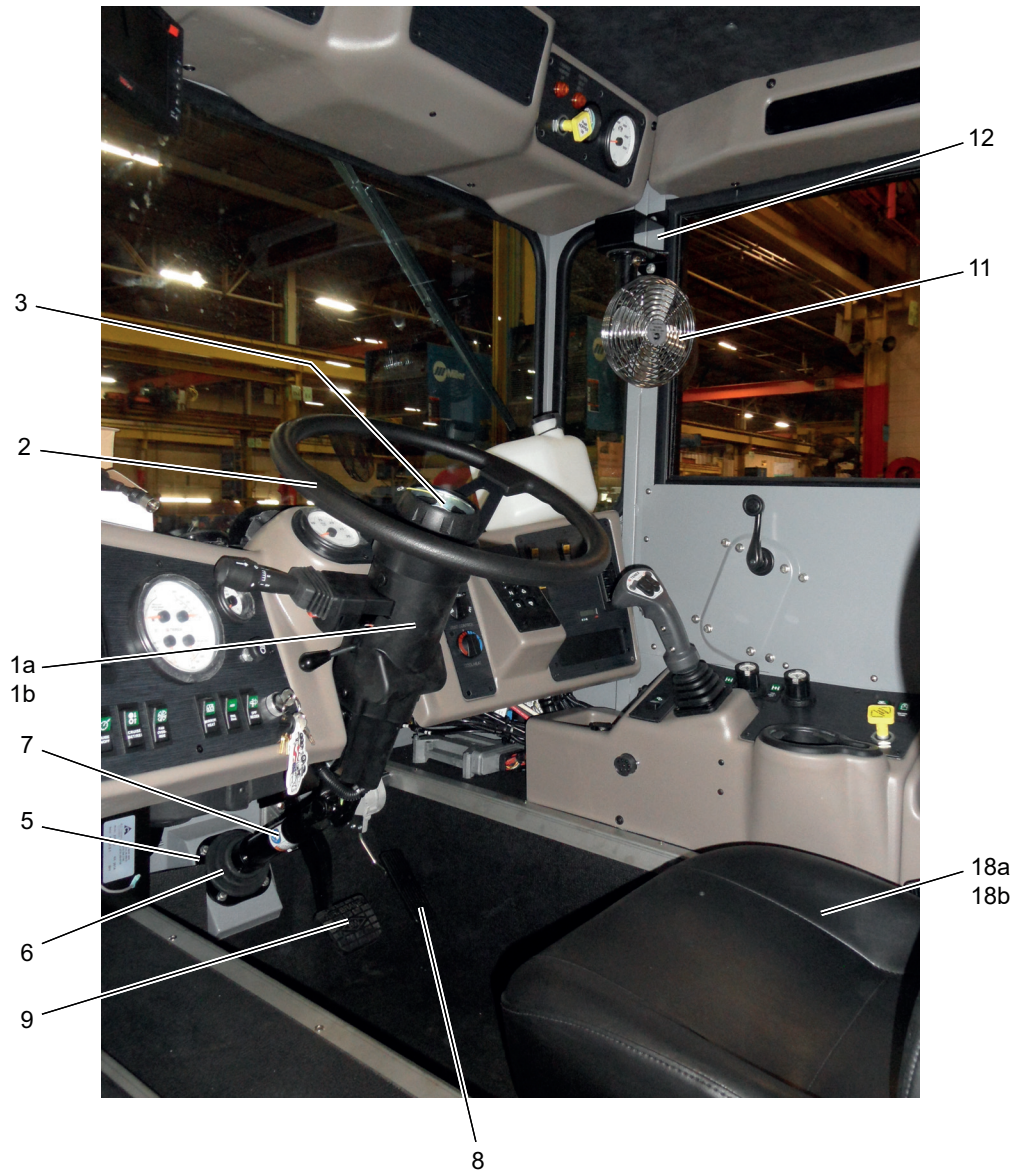
REF PART NO. DESCRIPTION

14	28250	Blade, HDCF, 20"
15	29094	Wiper, Arm W/Sprayer ASSY
16*	19906	Bottle Washer 14 OZ
17	29981	ASSY, Heat/Defrost/AC, STD Cab
	29982	ASSY, Heat/Defrost, STD Cab
	28817	ASSY, HVAC, Heat/Defrost, WRKSPC Cab
	28818	ASSY, HVAC, Heat/Defrost/AC, WRKSPC Cab
18	33474	Brake Valve Assembly
19	24327	ASSY, Control Manifold, ELEC/HYD, 3-Spools
	31210	ASSY, Control Manifold, ELEC/HYDR, 2-Spools

\* ITEM 16 IS NOT SHOWN IN THE ILLUSTRATION

WHEN ORDERING PARTS, SPECIFY MODEL NUMBER, SERIAL NUMBER AND DESCRIPTION OF PARTS REQUIRED

	<p><b>CAB EXTERIOR</b></p>	<p>DATE: Released 01-2016</p>	<p><b>GROUP</b> <b>6</b></p>
		<p>MODEL: FD</p>	
		<p>PAGE: 6.1</p>	

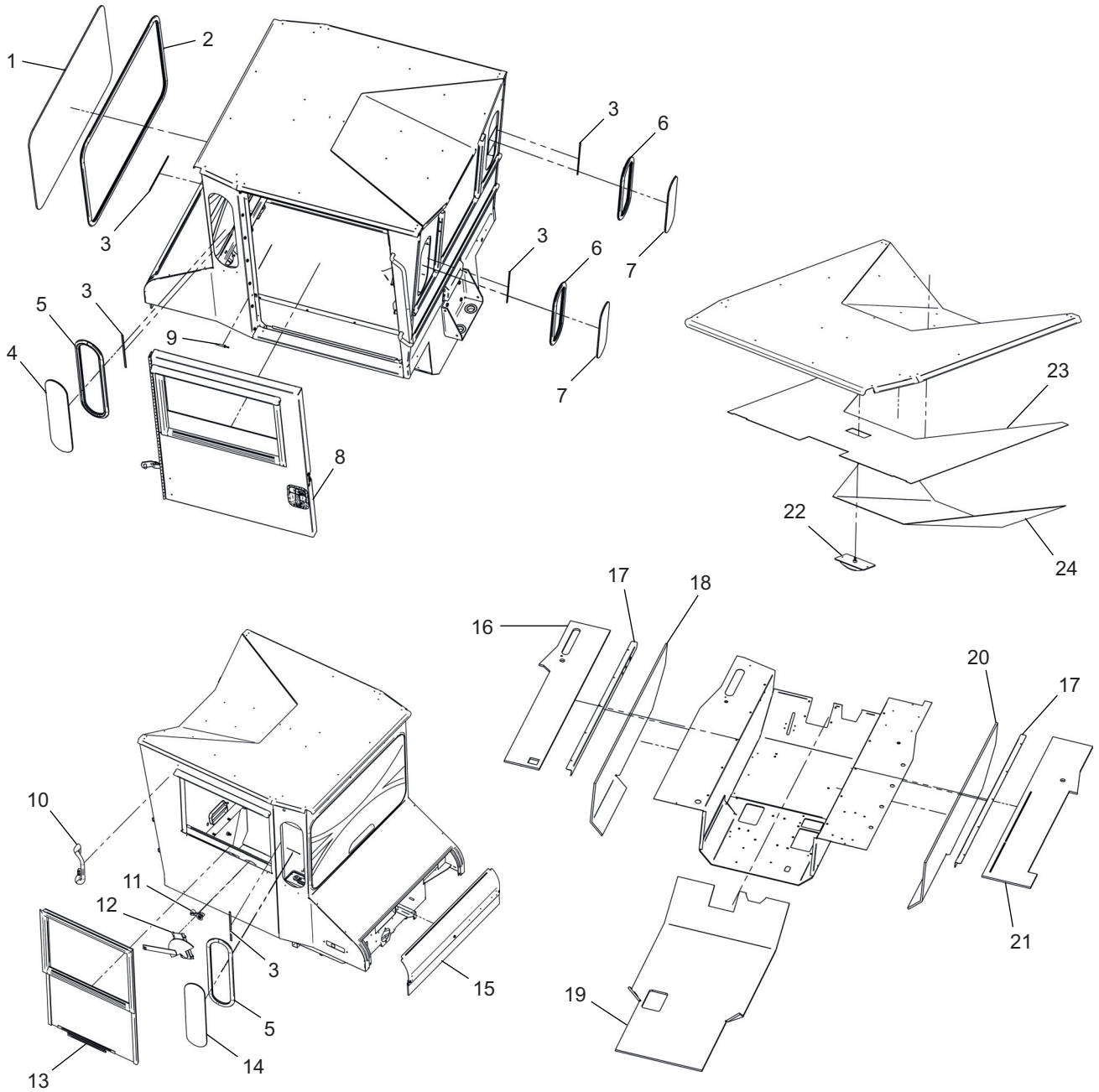


REF	PART NO.	DESCRIPTION	REF	PART NO.	DESCRIPTION
1	19747	Column, Tilt Steering, Douglas (Standard Cab)	13*	14474	Hose, Defroster, Duct, Cab
	28341	Column, Steering, 2006 (Workspace Cab)	14*	11419	Clamp, Hose, 1-5/16 To 2-1/4
2	19901	Wheel, Steering, 18"	15*	28951	Hose, Duct, Smooth Bore, 2.5" (Workspace Cab)
3	15739	Button, Horn	16*	28950	Clamp, Worm, 1-9/16" X 2-1/2" (Workspace Cab)
4*	19904	BRKT, U, Steering Column	17*	29371	Handle, Cab Access, Work Space
5	33669	Retainer, Steer Shaft Bellows, MY12	18	28885	Seat, Driver, High-Back, Cloth, Black
6	13914	Boot, Steering Column, Rubber		28886	Seat, Driver, High-Back, Vinyl, Black
7	33508	Driveshaft, Steering, MY13	19*	34272	Seat Belt, 3 Point, Driver, W/Seat Belt Alarm
8	32693	Pedal, Throttle, DD13, Hanging		27299	Seat Belt, Driver
8	31170	Pedal, Throttle, Cummins, Hanging	20*	28212	Seat, Trainer, Vinyl (Workspace Cab)
9	33474	Kit, Brake, Treadle Valve, MY12	21*	28300	Seat Belt, Passenger (Workspace Cab)
10*	19647	Hook, Coat, Cab			
11	11989	Fan, Cab			
12	23602	Bracket, Fan			

\* ITEMS 4, 10, 13 TO 17, 19, 20 & 21 ARE NOT SHOWN IN THE ILLUSTRATION

WHEN ORDERING PARTS, SPECIFY MODEL NUMBER, SERIAL NUMBER AND DESCRIPTION OF PARTS REQUIRED

	<h2>CAB INTERIOR</h2>	DATE: Released 01-2016	<b>GROUP</b>  <b>6</b>
		MODEL: FD	
		PAGE: 6.2	



REF PART NO. DESCRIPTION

1	Windshield
2	Gasket, Mounting, Windshield
3	Gasket Locking Strip
4	Window, Front Side Porthole, LS
5	Gasket, Mounting, Front Side Portholes
6	Gasket, Mounting, Rear Porthole
7	Window, Rear Porthole
8	Door Assembly
9	Adjustable Door Switch
10	Handle, Grab, Black Foam
11	Handle, Regulator
12	Regulator, RH

REF PART NO. DESCRIPTION

13	Window, W/Frame, RS
14	Window, Front Side Porthole, RS
15	Cover, Cab Nose Assembly
16	Floor Mat, Kick Panel, L.H
17	Angle, Floor Mat Retainer
18	Floor Mat, Stepwell, LH
19	Floor Mat, Main
20	Floor Mat, Kick Panel, RH
21	Floor Mat, Stepwell, RH
22	Light, Dome
23	Headliner, Cab
24	Headliner, Barrel Section

WHEN ORDERING PARTS, SPECIFY MODEL NUMBER, SERIAL NUMBER AND DESCRIPTION OF PARTS REQUIRED



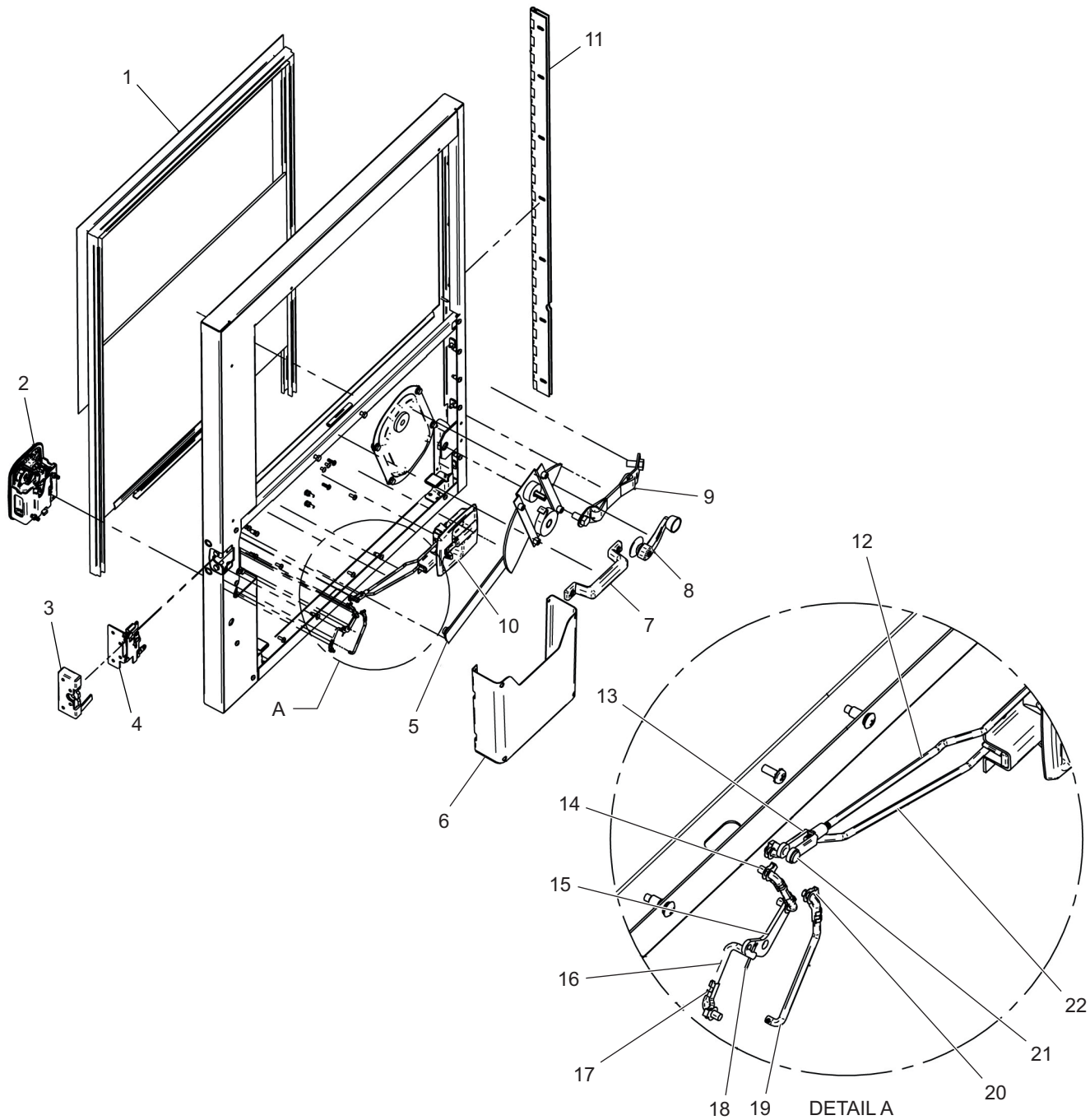
**STANDARD CAB COMPONENTS**

DATE: Released 01-2016  
 MODEL: FD  
 PAGE: 6.3

**GROUP**

**6**





REF	PART NO.	DESCRIPTION
1		Window, W/Frame, Driver Door
2	34073	Handle, Pull, Locking
3	34072	Latch, Rotary, LH
4		Linkage Assembly
5		Regulator, LH
6		Document Holder
7		Grab Handle
8		Handle, Regulator
9		Belt, Door Assembly
10		Handle, Inside Locking, LH
11		Hinge, Standard Cab

REF	PART NO.	DESCRIPTION
12		Rod, Linkage, Inner Latch
13		Yoke, End, 1.56" Long
14		Rod, Linkage, Outer Lock/Latch
15		Pivot, Lock Linkage
16		Rod, Linkage, Outer Latch
17		Clip, Linkage, RH
18		Cotter Key, 0.062 X 0.75 Long
19		Rod, Linkage, Outer Latch
20		Clip, Linkage LH
21		Pin, Clevis, 0.188 X 0.56
22		Rod, Linkage, Inner Lock

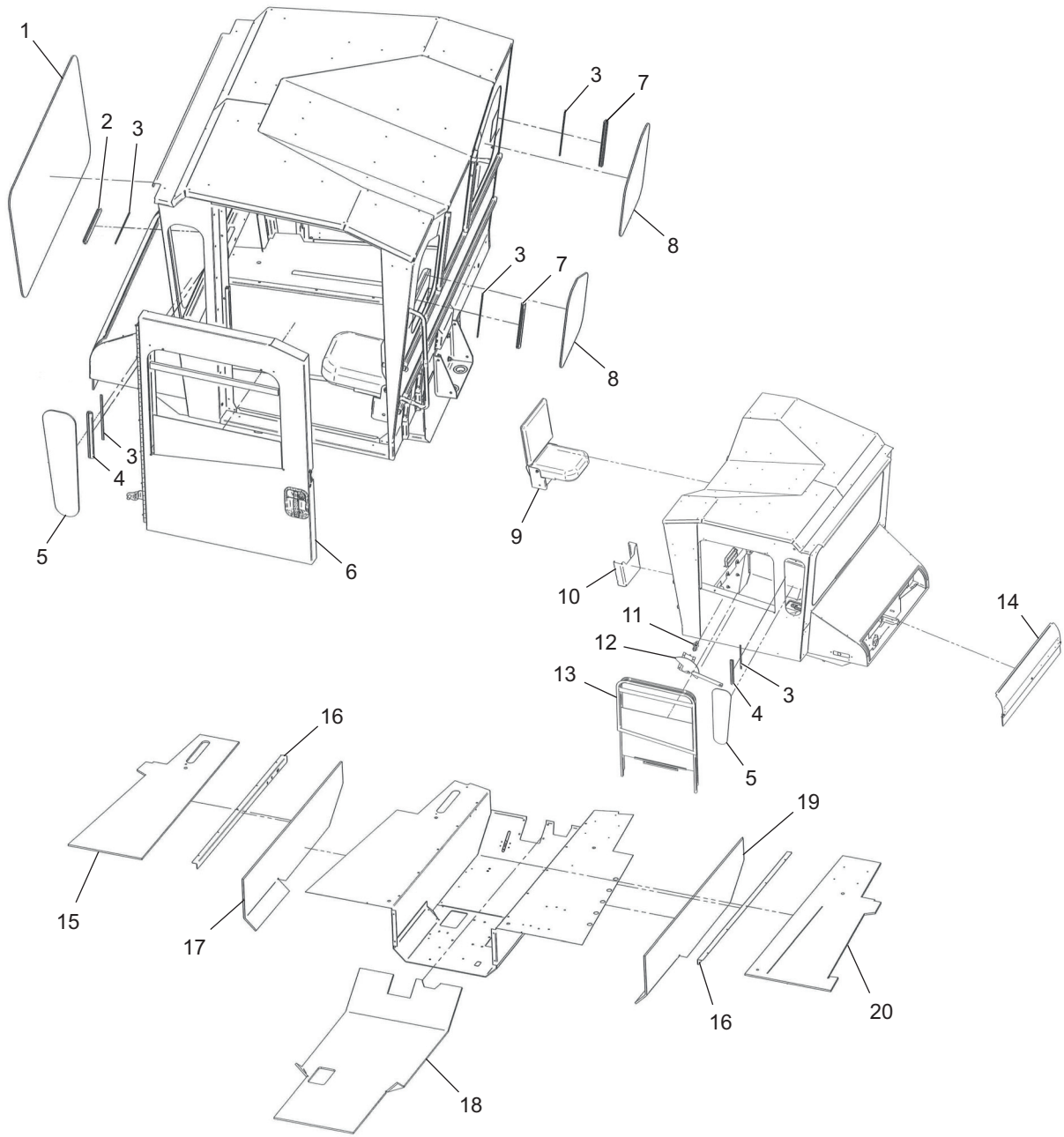
WHEN ORDERING PARTS, SPECIFY MODEL NUMBER, SERIAL NUMBER AND DESCRIPTION OF PARTS REQUIRED



**STANDARD CAB DOOR ASSY**

DATE: Released 01-2016  
 MODEL: FD  
 PAGE: 6.4

GROUP  
**6**



REF PART NO. DESCRIPTION

1		Glass, Windshield
2		Rubber, Glass Mounting, Windshield
3		Rubber, Glass Mounting Lock Strip
4		Rubber, Glass Mounting, Side, Front
5		Glass, Side, Front
6		Door Assembly
7		Rubber, Glass Mounting
8		Glass, Rear
9	28212	Seat, Passenger, Vinyl
10		Document Holder

REF PART NO. DESCRIPTION

11		Handle, Regulator, Black
12		Regulator, LH
13		Window, Frame & Glass, LH
14		Cover, Nose ASSY, Workspace
15		Floor Mat, Street Side
16		Angle, Floor Mat, Retainer
17		Floor Mat, Kick Panel, STSD
18		Floor Mat, Main
19		Floor Mat, Kick Panel, CBSD
20		Floor Mat, Curb Side

WHEN ORDERING PARTS, SPECIFY MODEL NUMBER, SERIAL NUMBER AND DESCRIPTION OF PARTS REQUIRED



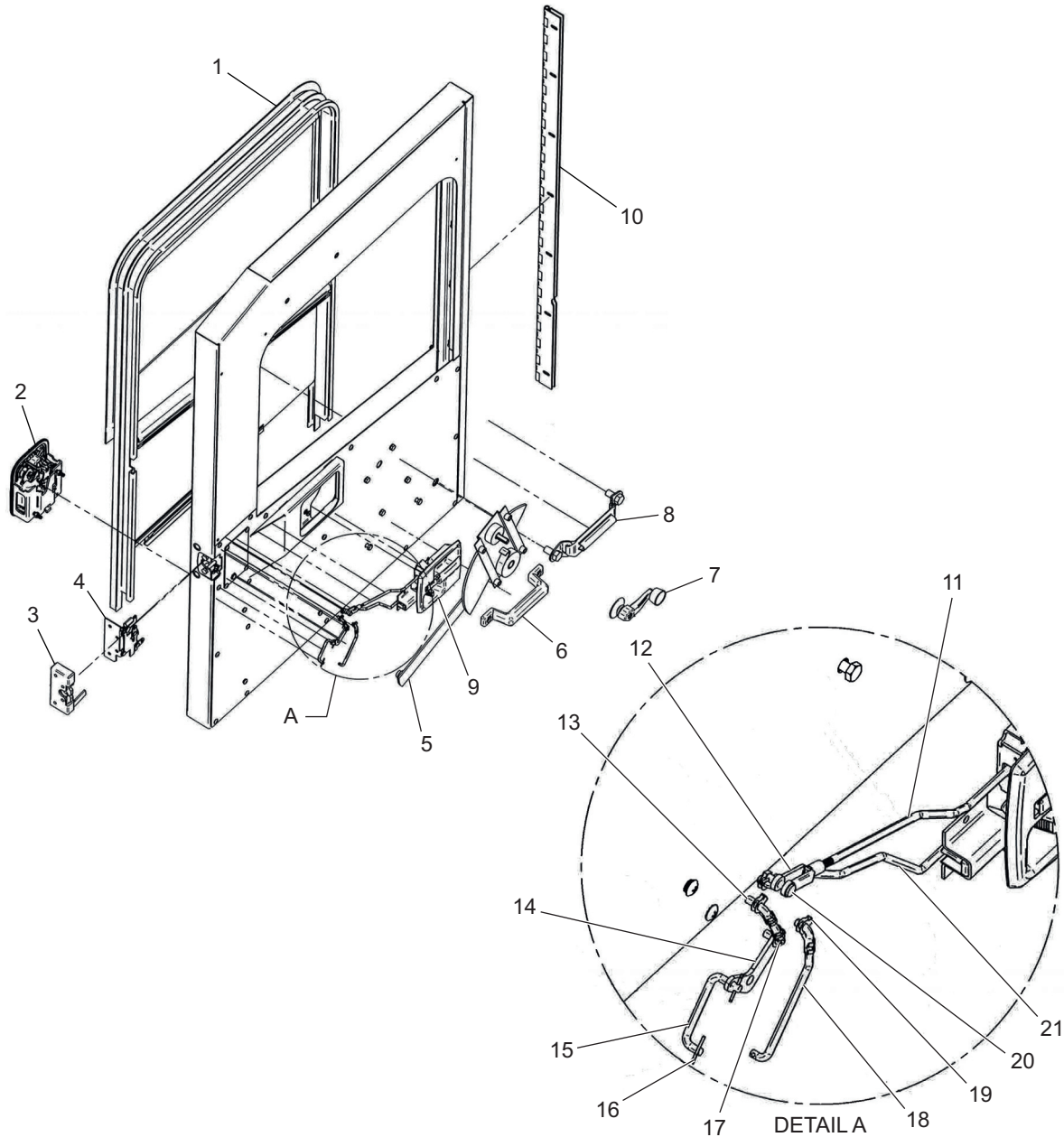
**WORKSPACE CAB COMPONENTS**

DATE: Released 01-2016  
 MODEL: FD  
 PAGE: 6.5

GROUP

**6**





REF	PART NO.	DESCRIPTION
1		Window, Frame & Glass, LH
2	34073	Handle, Pull, Locking
3	34072	Latch, Rotary, LH
4		Linkage ASSY, RH
5		Regulator, LH
6		Grab Handle
7		Handle, Regulator, Black
8		Belt, Door Strap ASSY, W/Pocket
9		Handle, Inside Locking, LH
10		Hinge, Standard Cab
11		Rod, Linkage, Inner Latch

REF	PART NO.	DESCRIPTION
12		Yoke End, 1.56 Long X 10-32 UNF
13		Rod, Linkage, Outer Lock/Latch
14		Pivot, Lock Linkage
15		Rod, Linkage, Outer Lock
16		Cotter Key, 0.062 X 0.75 Long
17		Clip, Linkage, RH
18		Rod, Linkage, Outer Latch
19		Clip, Linkage, LH
20		Pin, Clevis, S 0.188 X 0.56 Grip
21		Rod, Linkage, Inner Lock

WHEN ORDERING PARTS, SPECIFY MODEL NUMBER, SERIAL NUMBER AND DESCRIPTION OF PARTS REQUIRED

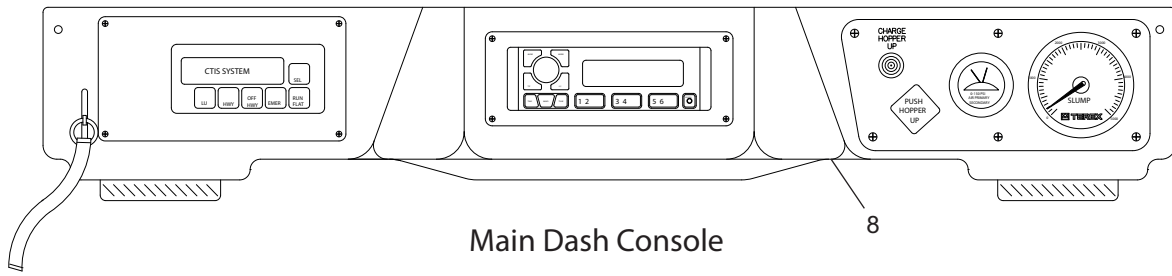


**WORKSPACE CAB DOOR ASSY**

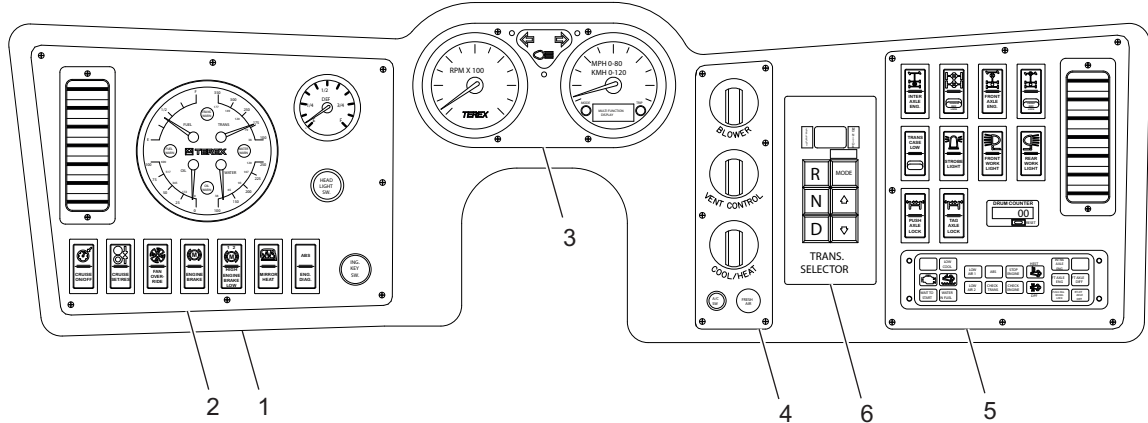
DATE: Released 01-2016  
 MODEL: FD  
 PAGE: 6.6

GROUP  
**6**

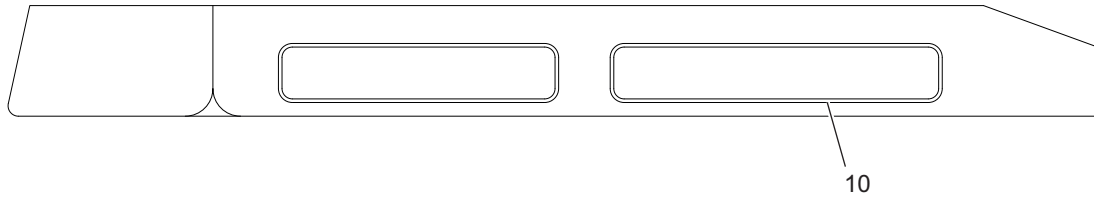
Overhead Console



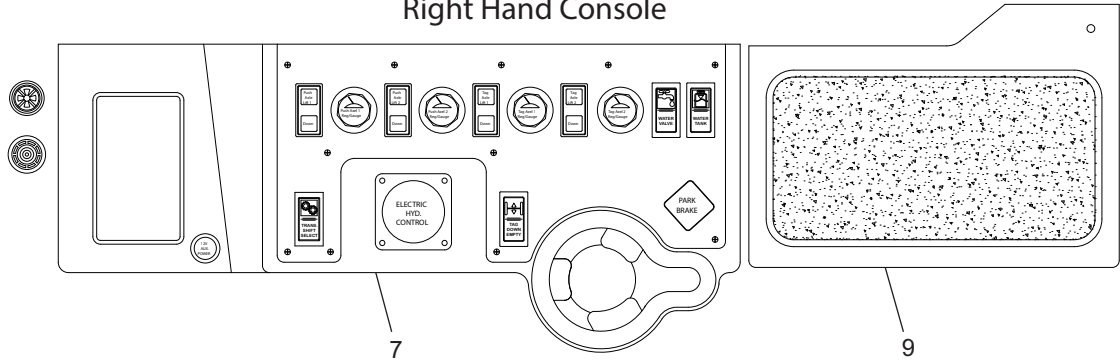
Main Dash Console



Right Hand Overhead Console



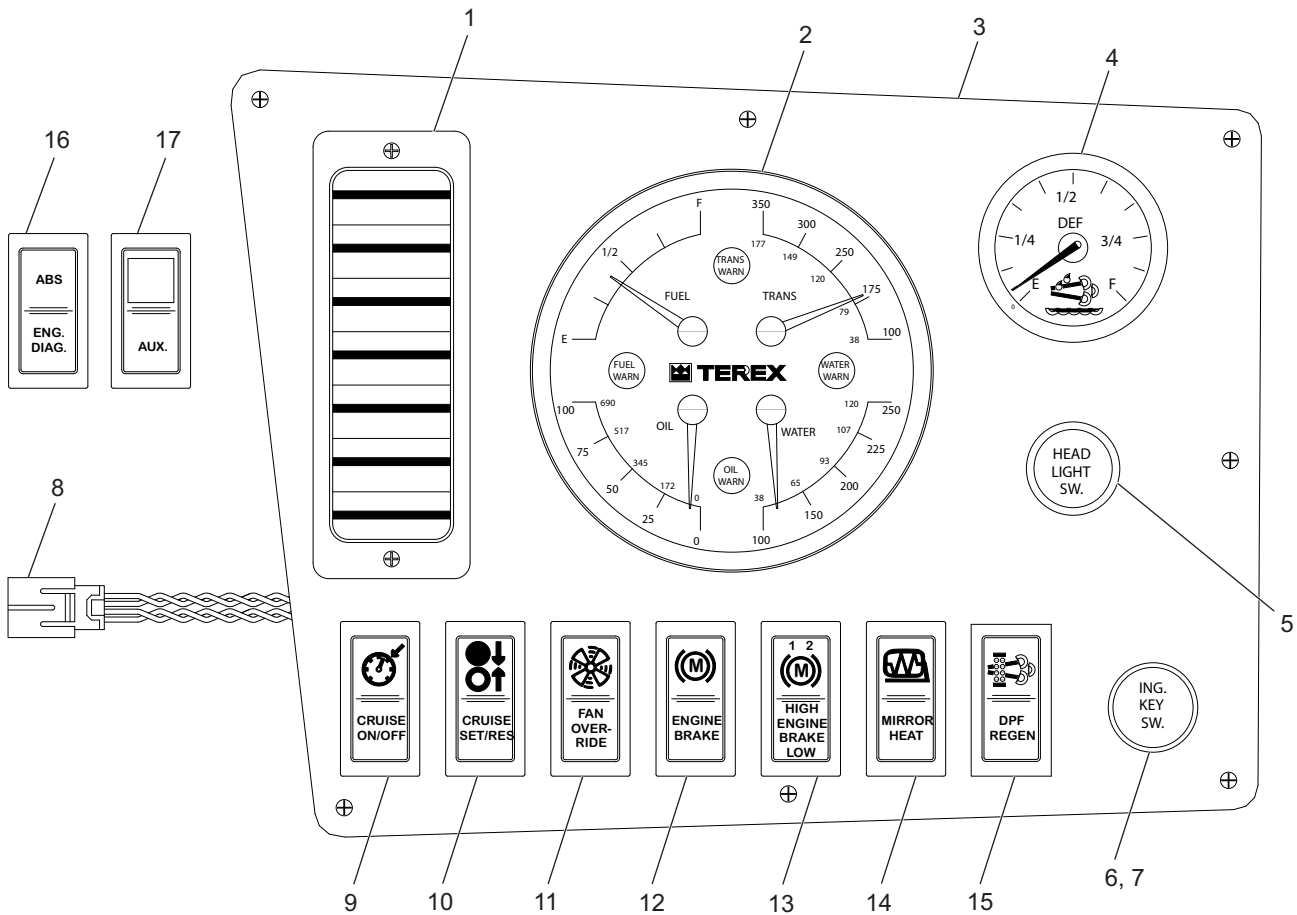
Right Hand Console



REF	PART NO.	DESCRIPTION	REF	PART NO.	DESCRIPTION
1	29920	Shroud, Dash, Forward, 2007	5	29927	ASSY, Panel, Dash Controls, STD, MY10
2	32502	ASSY, Gauge Panel, Dash, STD, MY10	6	34034	Shift/Selector, Allison, GENS, 6-SPD
3	29923	ASSY, Panel, Gauge, Dash, CNTR, STD, MY10	7	29929	ASSY, Console, Right, AUX, MY13
4	29925	ASSY, Panel, Dash, Climate Controls, 2007	8	32500	ASSY, Console, Overhead, STD, MY12
			9	29932	ASSY, Console, Tray, RH, 2007
			10	29933	ASSY, Console, Overhead, RH, 2007

WHEN ORDERING PARTS, SPECIFY MODEL NUMBER, SERIAL NUMBER AND DESCRIPTION OF PARTS REQUIRED

	<p><b>DASH, COMPLETE, STD, CAB</b></p>	DATE: Released 01-2016	<p><b>GROUP</b> <b>6</b></p>
		MODEL: FD	
		PAGE: 6.7	



REF	PART NO.	DESCRIPTION	REF	PART NO.	DESCRIPTION
1	28065	Vent, A/C	10	28051	Switch, Cruise, Set/Resume
2	31530	Gauge, 4 In 1, ACTIA	11	28050	Switch, Engine Fan
3	31536	Panel, Dash, Gauge, STD, MY13	12	28048	Switch, DPST, 2-POS Engine Brake
4	32085	Gauge, DEF, 2.0", MY1 0	13	28047	Switch, DPST, 3-POS Engine Brake
5	28038	Switch, Headlights/Dome	14	28046	Switch, DPST, 2-POS Engine Brake
6	28039	Switch, Ignition Key	15	28044	Switch, DPST, 2-POS Mirror Heat
7	28060	Nut, Boot, Mounting, Ignition Switch	16	30981	Switch, RKR, 2-POS, REGEN On-Off
8	28112	Harness, Gauge, Interconnect, Data 7"	17	28045	Switch, DIAG, ABS/Engine
9	28052	Switch, Cruise, On/Off			

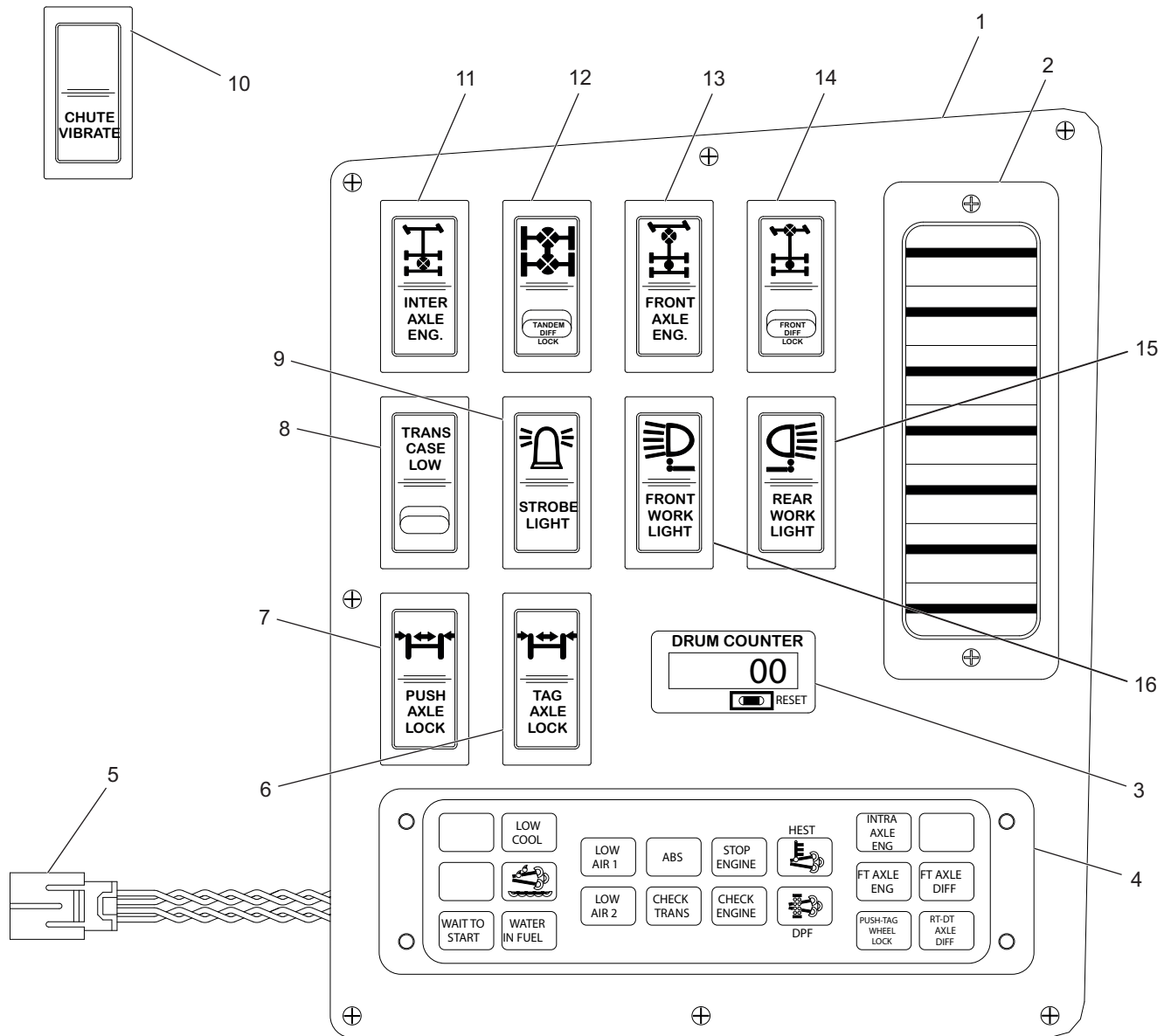
WHEN ORDERING PARTS, SPECIFY MODEL NUMBER, SERIAL NUMBER AND DESCRIPTION OF PARTS REQUIRED



**GAUGE PANEL, DASH, STD**

DATE: Released 01-2016  
 MODEL: FD  
 PAGE: 6.8

GROUP  
**6**



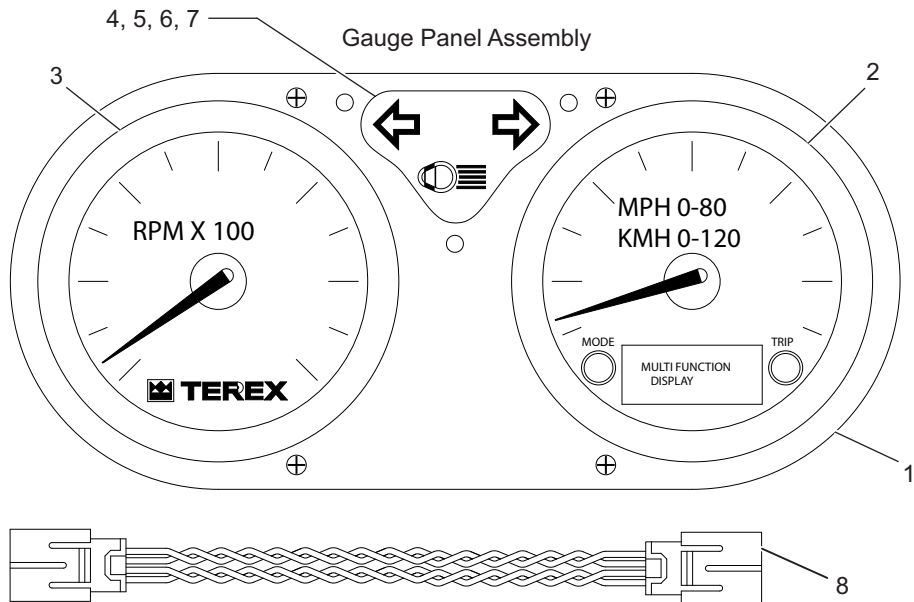
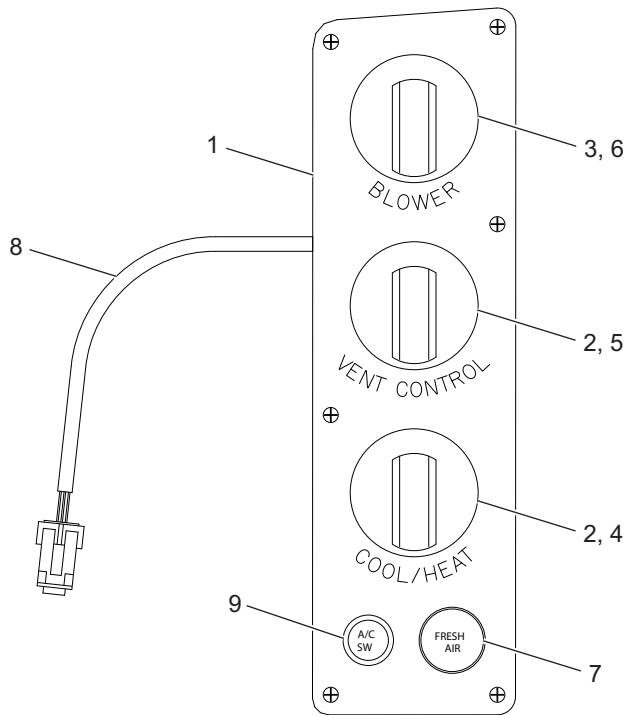
REF	PART NO.	DESCRIPTION	REF	PART NO.	DESCRIPTION
1	31537	Panel, Dash, Controls, STD, MY13	9	28043	Switch, SPST, 2-POS, Strobe Light
2	28065	Vent, A/C	10	28080	Switch, Air, Chute Vibrate
3	28040	Display Drum Counter LCD	11	28073	Switch, Engage, Axle, INTER
4	32087	Gauge, Light Bar, MY10	12	28076	Switch, DIFF, Lock, Tandem
5	31527	Harness, LIN, 48.0"	13	28074	Switch, Engage, Axle, Front
6	28083	Switch, Air, Tag Lock	14	28077	Switch, Air, Front DIFF W/ Lock
7	28082	Switch, Air, Pusher Lock	15	28042	Switch, SPST, 2-POS, Rear Light
8	28075	Switch, Transfer Case, High/Low	16	28041	Switch, SPST, 2-POS, Front Light

WHEN ORDERING PARTS, SPECIFY MODEL NUMBER, SERIAL NUMBER AND DESCRIPTION OF PARTS REQUIRED

	<h2>DASH PANEL CONTROLS</h2>	DATE: Released 01-2016	<b>GROUP</b>  <b>6</b>
		MODEL: FD	
		PAGE: 6.9	

Climate Controls Assembly

CAB

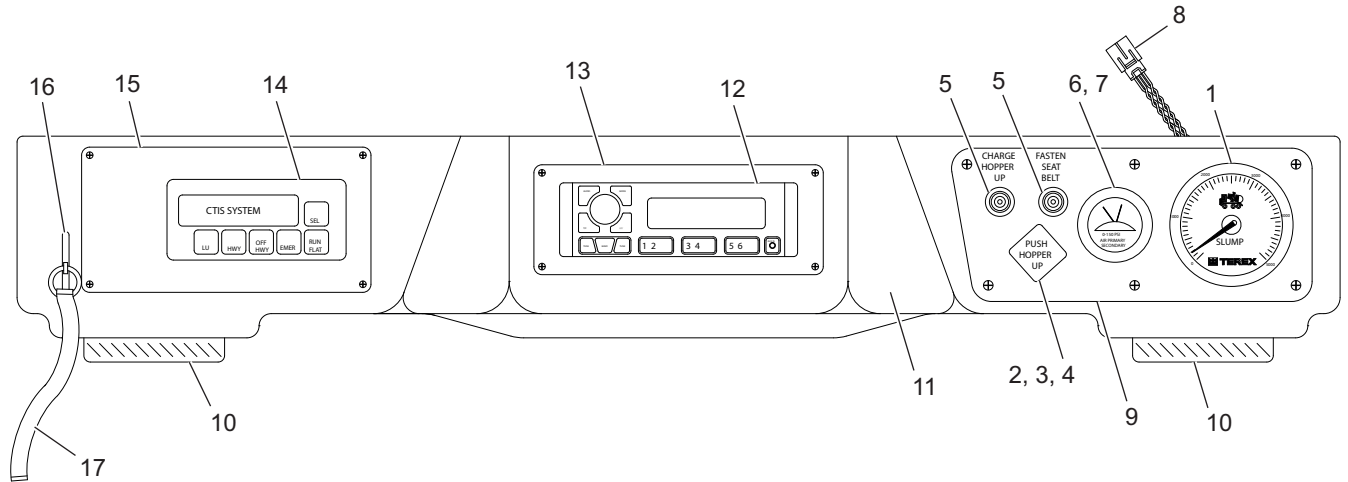


REF	PART NO.	DESCRIPTION	REF	PART NO.	DESCRIPTION
	29925	ASSY, Panel, Dash, Climate Controls, 2007		29923	ASSY, Panel, Gauge, Dash, CNTR, STD, MY10
1	29926	Panel, Climate Control, 2007	1	31535	Panel, Dash, Center, STD, 2009
2	28053	Control, Rotary	2	32086	Gauge, Speedometer, MY1 0
3	28054	Switch, Blower, Vent	3	31533	Gauge, Tachometer, ACTIA
4	28055	Knob, Cool/Heat	4	28115	Panel, Legend, Turn Signal/High Beam
5	28056	Knob, Control, Vent	5	28118	Sockets, Light, Double Wire
6	28057	Knob, Blower	6	28119	Bulb, Light, LED, Green
7	30074	Cable, 51" Climate Control, Fresh Air	7	28120	Bulb, Light, LED, Blue
8	30073	Light ASSY, LED Back Light, Climate Controls	8	31525	Harness, LIN, 12.0"
9	19972	Switch, A/C			

WHEN ORDERING PARTS, SPECIFY MODEL NUMBER, SERIAL NUMBER AND DESCRIPTION OF PARTS REQUIRED

	<p><b>CLIMATE CONTROLS &amp; GAUGE PANEL</b></p>	DATE: Released 01-2016	<p><b>GROUP 6</b></p>
		MODEL: FD	
		PAGE: 6.10	

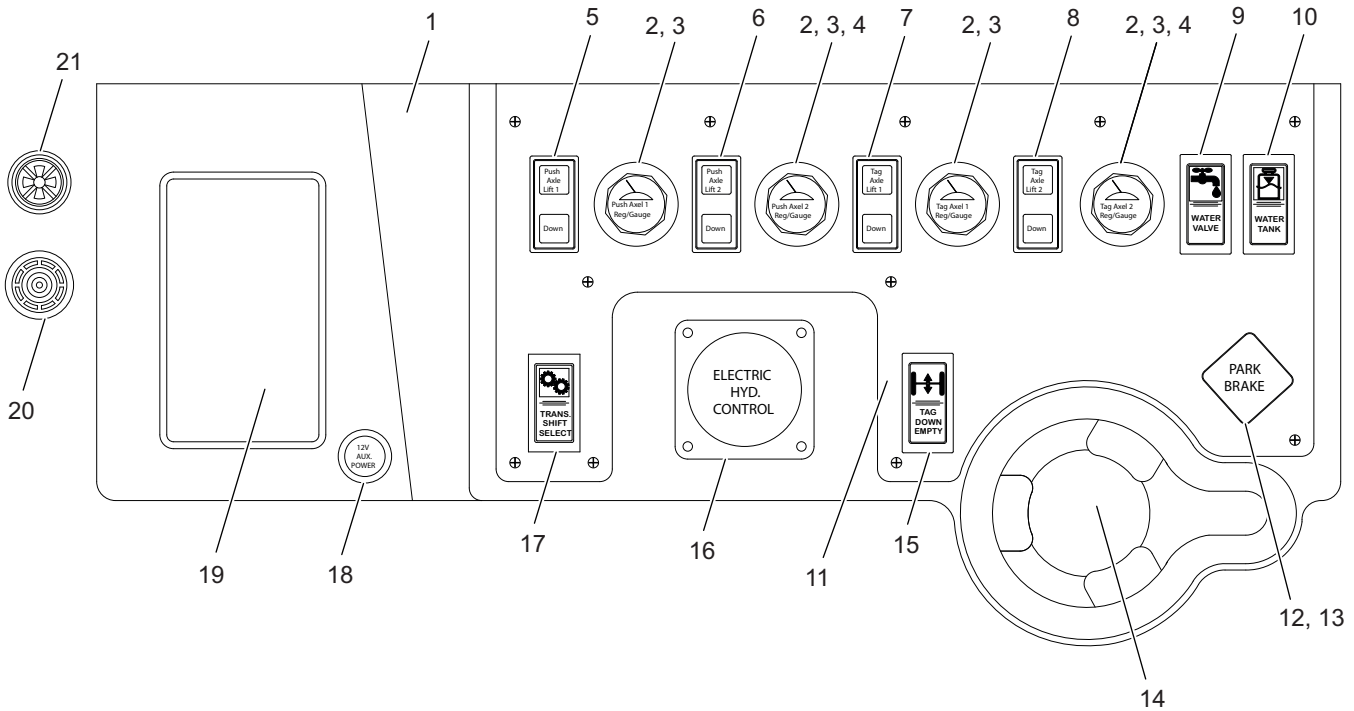




REF	PART NO.	DESCRIPTION	REF	PART NO.	DESCRIPTION
1	31531	Gauge, Slump, Electronic, ACTIA	10	34972	Speaker, 5-1/4" DIA (Pair)
2	16799	Valve, Flip Hopper/Parking Brake	11	29935	Shroud, Overhead, MY13
3	11968	Label, Hopperup	12	23466	Radio, W/CD
4	28090	FTG, EL, Push To CONN, 1/8" NPT X 1/4"	13	29937	Panel, Overhead, CNTR, Radio
5	28438	Light, Warning, Amber	14	29700	TPCS, Tire Boss System
6	28109	Gauge, Air, Primary/Secondary	15	29936	Panel, Overhead, Left
7	28110	FTG, P To C, 1/8"-27 Female X 1/4"	16	33526	Valve, Air Horn, Lanyard, MY13
8	31528	Harness, LIN, 94.0"	17	33527	Lanyard, Air Horn, MY13
9	32498	Panel, Overhead Slump, STD, MY10			

WHEN ORDERING PARTS, SPECIFY MODEL NUMBER, SERIAL NUMBER AND DESCRIPTION OF PARTS REQUIRED

	<h2>OVERHEAD CONSOLE</h2>	DATE: Released 01-2016	<b>GROUP</b>  <b>6</b>
		MODEL: FD	
		PAGE: 6.11	



REF	PART NO.	DESCRIPTION
1	33567	Shroud, AUX Controls, MY12
2	28087	Regulator, W/Gauge
3	28091	FTG, EL, P To C, 1/4" NPT X 3/8"
4	28092	FTG, Tee, P To C, 1/4" NPT X 3/4"
5	28088	Switch, Air, Pusher 1 Lift
6	28089	Switch, Air, Pusher 2 Lift
7	28085	Switch, Air, Tag 1 Lift
8	28086	Switch, Air, Tag 2 Lift
9	30380	Switch, Air, Water Valve On-Off
10	28081	Switch, Water Tank
11	33566	Panel, AUX Controls, MY12

REF	PART NO.	DESCRIPTION
12	16799	Valve, Flip Hopper/Parking Brake
13	28090	FTG, EL, Push To CONN, 1/8" NPT X 1/4"
14	28100	Cup Holder
15	28684	Switch, Air, Tag Down When Empty
16	30869	Control, Joystick, ELECT/HYDR,
17	30662	Switch, Rocker, TRANS Selector
18	28102	Lighter, Outlet, 12V
19	28131	MATT
20	12453	Buzzer, Warning, ELEC, Low Air
21	34968	Chime, Seat Belt Warning

WHEN ORDERING PARTS, SPECIFY MODEL NUMBER, SERIAL NUMBER AND DESCRIPTION OF PARTS REQUIRED



**RIGHT SIDE CONSOLE**

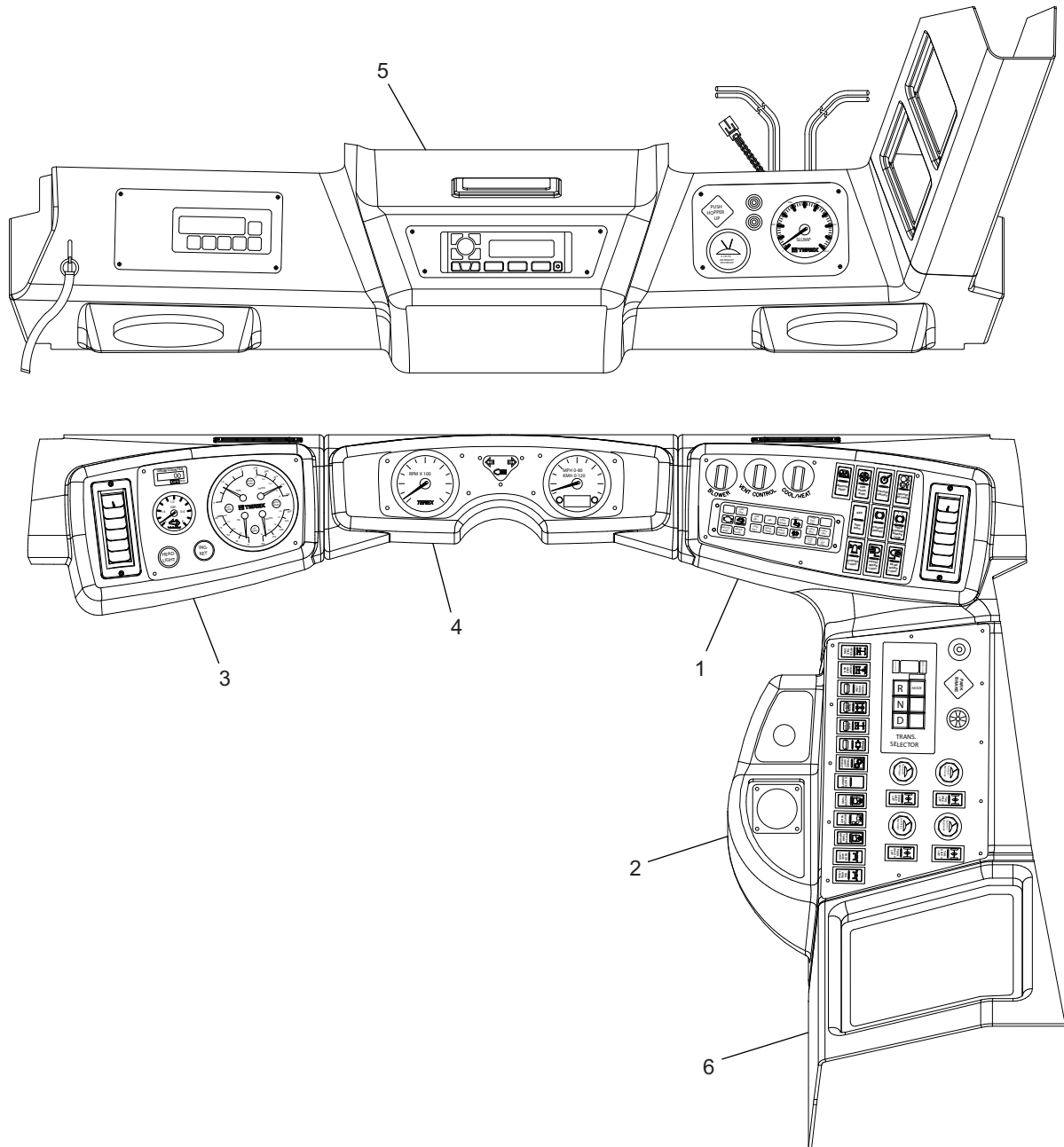
DATE: Released 01-2016

MODEL: FD

PAGE: 6.12

GROUP

**6**

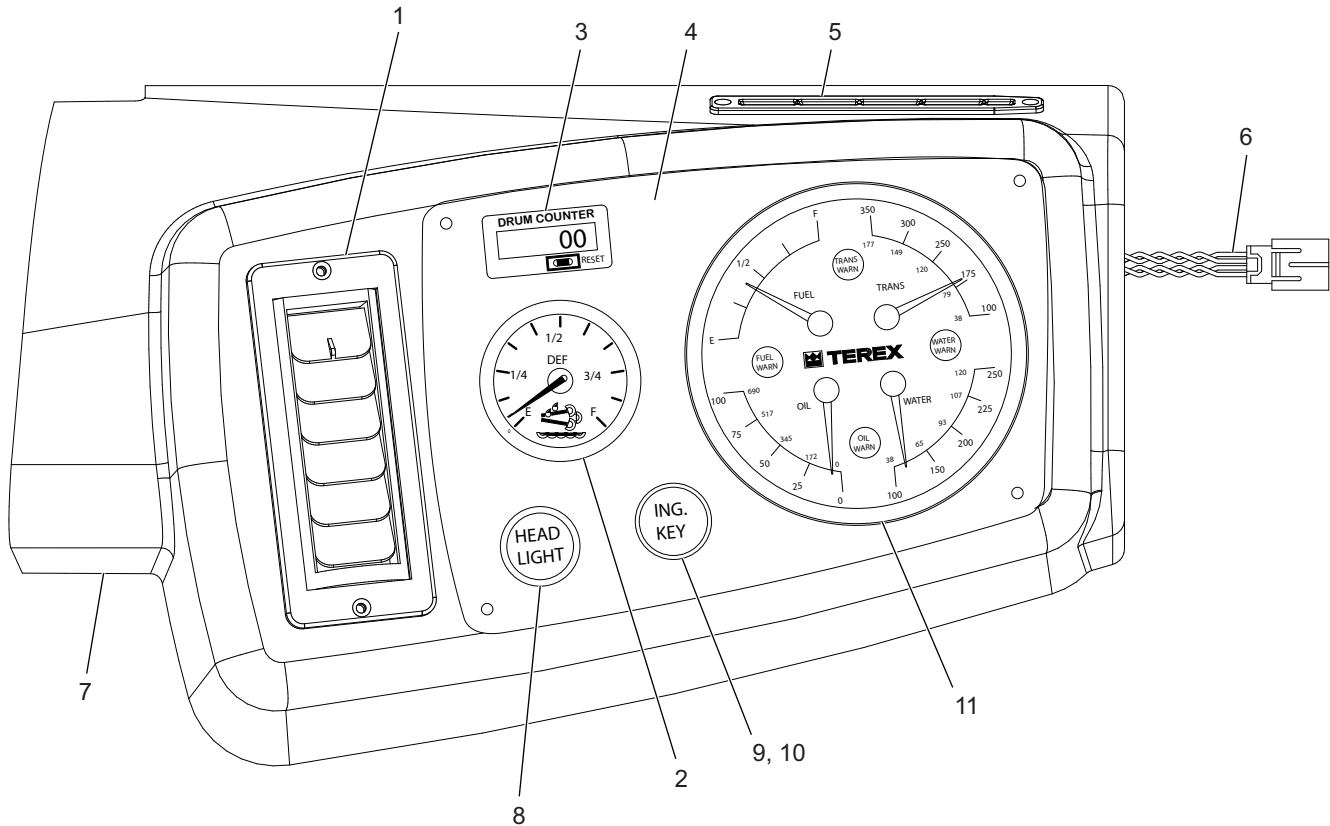


REF	PART NO.	DESCRIPTION
1	28023	ASSY, Panel, Dash, Control, WRKSPC, MY10
2	28022	ASSY, Panel, Dash, AUX, Right, WRK, MY10
3	32504	ASSY, Gauge Panel, Dash, WRK, MY10

REF	PART NO.	DESCRIPTION
4	28148	ASSY, Dash, Gauge, Center, WRKSPC, MY10
5	32505	ASSY, Overhead Console, WRK, MY10
6	28146	ASSY, Console, Tray, Right (No BOM)

WHEN ORDERING PARTS, SPECIFY MODEL NUMBER, SERIAL NUMBER AND DESCRIPTION OF PARTS REQUIRED

	<b>DASH, COMPLETE, WORK SPACE, CAB</b>	DATE: Released 01-2016	<b>GROUP</b>  <b>6</b>
		MODEL: FD	
		PAGE: 6.13	



REF	PART NO.	DESCRIPTION	REF	PART NO.	DESCRIPTION
1	28065	Vent, A/C	7	28111	Dash, Shroud, Center Left
2	32085	Gauge, DEF, 2.0", MY10	8	28038	Switch, Head Lights/Dome
3	28040	Display, Counter, Drum, LCD	9	28039	Switch, Ignition Key
4	31539	Panel, Dash, Gauge, WRKSPC, 2009	10	28060	Nut, Boot, Mounting, Ignition Switch
5	28064	Vent, Defrost	11	31530	Gauge, 4 In 1, ACTIA
6	31526	Harness, LIN, 24.0"			

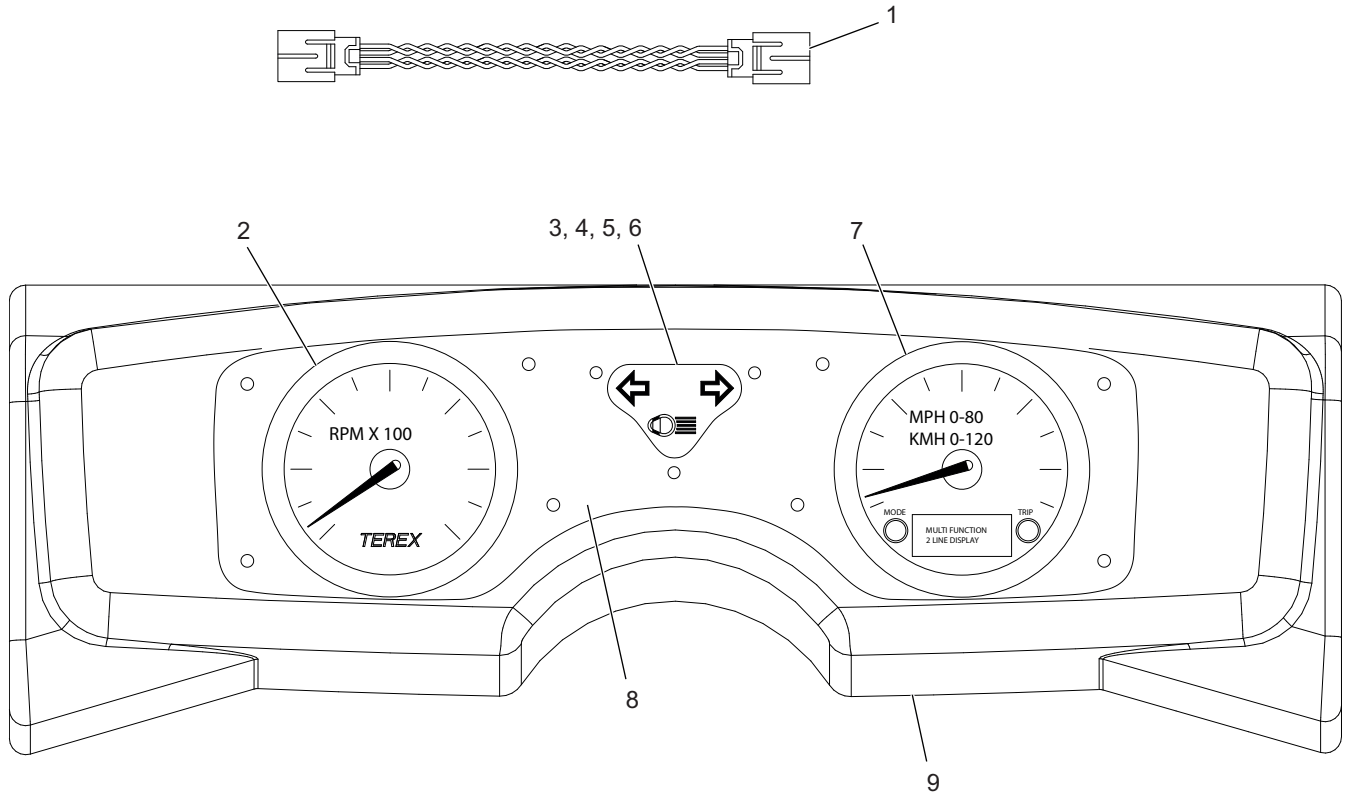
WHEN ORDERING PARTS, SPECIFY MODEL NUMBER, SERIAL NUMBER AND DESCRIPTION OF PARTS REQUIRED



**DASH, GAUGE PANEL, WRKSPC**

DATE: Released 01-2016  
 MODEL: FD  
 PAGE: 6.14

GROUP  
**6**

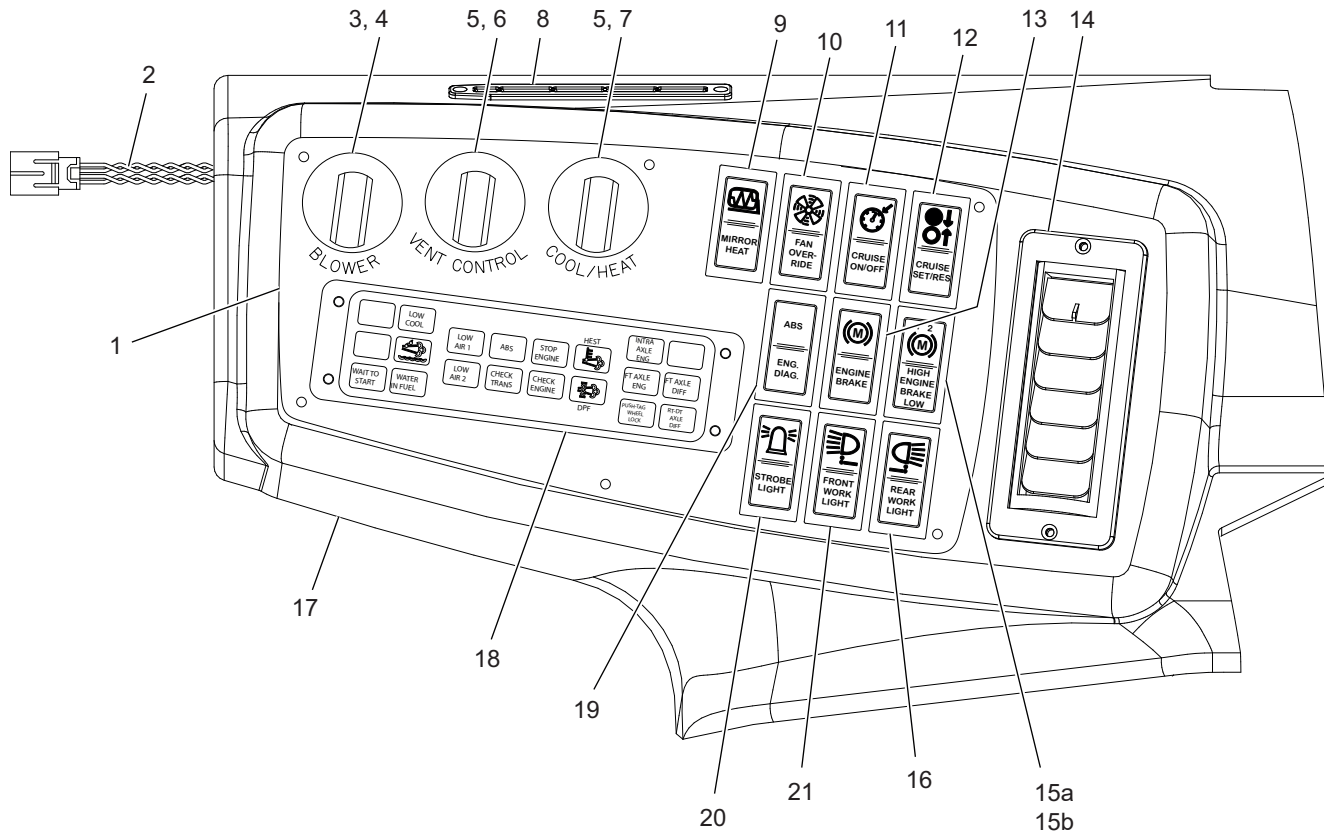


REF	PART NO.	DESCRIPTION	REF	PART NO.	DESCRIPTION
1	31525	Harness, LIN, 12 0"	6	28120	Bulb, Light, LED, Blue
2	31533	Gauge, Tachometer, ACTIA	7	32086	Gauge, Speedometer, MY1 0
3	28115	Panel, Legend, Turn Signal/High Beam	8	28113	Dash, Shroud, Center
4	28118	Sockets, Light, Double Wire	9	31538	Panel, Dash, Center, Workspace
5	28119	Bulb, Light, LED, Green			

WHEN ORDERING PARTS, SPECIFY MODEL NUMBER, SERIAL NUMBER AND DESCRIPTION OF PARTS REQUIRED

	<b>DASH, GAUGE PANEL, WRKSPC</b>	DATE: Released 01-2016	<b>GROUP</b>  <b>6</b>
		MODEL: FD	
		PAGE: 6.15	





REF	PART NO.	DESCRIPTION	REF	PART NO.	DESCRIPTION
1	31540	Panel, Dash, Controls, WRKSPC, 2009	12	28051	Switch, Cruse, Set/Resume
2	31527	Harness, LIN, 48.0"	13	28048	Switch, Brake, On/Off
3	28054	Switch, Blower, Vent	14	28065	Vent, A/C
4	28057	Knob, Blower	15	28047	Switch, Brake, Engine, 3-POS
5	28053	Control, Rotary	15	28046	Switch, Brake, Engine, 2-POS
6	28056	Knob, Control, Vent	16	28042	Switch, Light, Work, Rear
7	28055	Knob, Control, Vent	17	28058	Shroud, Dash, Center Right
8	28064	Vent, Defrost	18	32087	Gauge, Light Bar, MY10
9	28044	Switch, Mirror, Heated	19	28045	Switch, DIAG, ABS/Engine
10	28050	Switch, Engine Fan	20	28043	Switch, Light, Strobe
11	28052	Switch, Cruse, On/Off	21	28041	Switch, Light, Work, Front

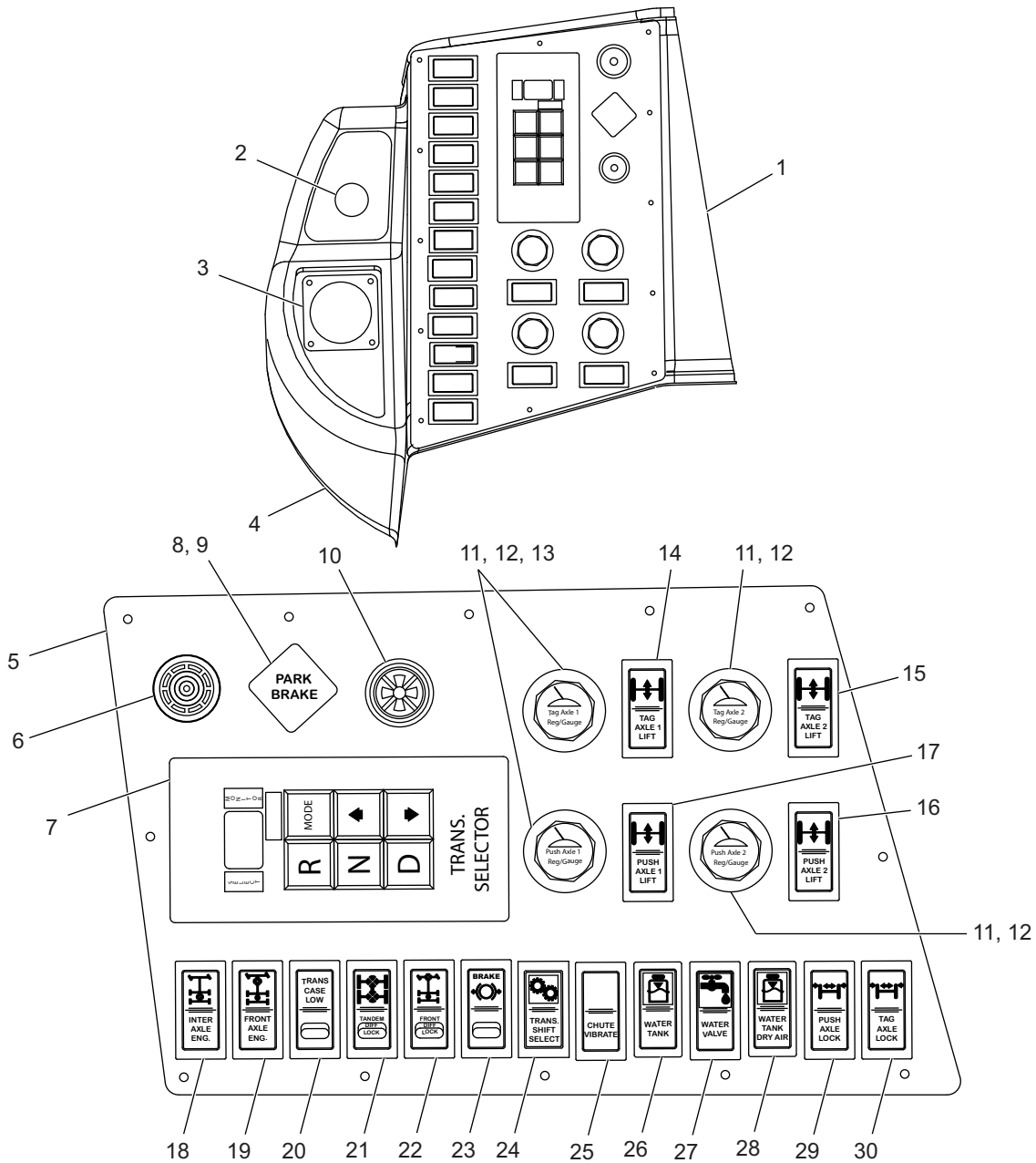
WHEN ORDERING PARTS, SPECIFY MODEL NUMBER, SERIAL NUMBER AND DESCRIPTION OF PARTS REQUIRED



**DASH, CONTROL PANEL,  
WRKSPC**

DATE: Released 01-2016  
 MODEL: FD  
 PAGE: 6.16

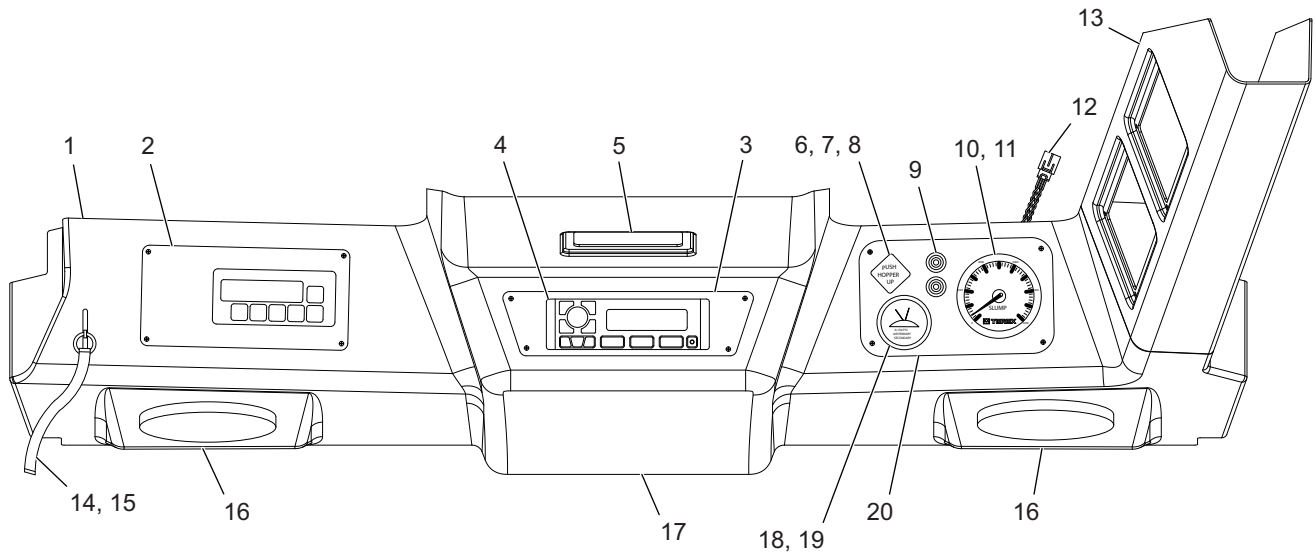
GROUP  
**6**



REF	PART NO.	DESCRIPTION	REF	PART NO.	DESCRIPTION
1	28093	Dash, Shroud, Right	16	28089	Switch, Lift Axle, Pusher 2
2	28102	Lighter, Outlet, 12V	17	28088	Switch, Lift Axle, Pusher 1
3	28100	Cup, Holder	18	28073	Switch, Engage, Axle, Inter
4	28094	Panel, Cup Holder	19	28074	Switch, Engage, Axle, Front
5	28072	Panel, Dash, AUX, Right	20	28075	Switch, Transfer Case, High/Low
6	12453	Buzzer, Warning, ELEC, Low Air	21	28076	Switch, DIFF Lock, Tandem
7	28286	Selector, Gear Shift, Push Button	22	28077	Switch, DIFF Lock, Front
8	16799	Valve, Flip Hopper/Parking Brake	23	28078	Switch, Brake, All Wheel
9	28090	FTG, EL, Push To CONN, 1/8" NPT X 1/4"	24	30662	Switch, Rocker, On-On TRANS Select
10	34968	Chime, Seat Belt Warning	25	28080	Switch, Chute Vibrate
11	28087	Regulator, W/Gauge	26	28081	Switch, Water Tank
12	28091	FTG, EL, P TO C, 1/4" NPT X 3/8"	27	30380	Switch, Rocker, Air, Water Valve Switch,
13	28092	FTG, Tee, P TO C, 1/4" NPT X 3/4"	28	30316	Rocker, WTR TNK Dry Air-Amber Switch,
14	28085	Switch, Lift Axle, Tag 1	29	28082	Lock, Push Axle
15	28086	Switch, Lift Axle, Tag 2	30	28083	Switch, Lock, Tag Axle

WHEN ORDERING PARTS, SPECIFY MODEL NUMBER, SERIAL NUMBER AND DESCRIPTION OF PARTS REQUIRED

	<h2>AUX. PANEL WRKSPC</h2>	DATE: Released 01-2016	<b>GROUP</b>  <b>6</b>
		MODEL: FD	
		PAGE: 6.17	



REF	PART NO.	DESCRIPTION	REF	PART NO.	DESCRIPTION
1	28126	Panel, Left Side, W/Terex Logo	12	31528	Harness, LIN, 94.0"
2	29700	TPCS, Tire Boss System	13	28145	ASSY, Console, Overhead, Right
3	28127	Panel, Radio, Center	14	33526	Valve, Air Horn, Lanyard, MY13
4	23466	Radio, W/CD	15	33527	Lanyard, Air Horn, MY13
5	28439	Light, Dome	16	34972	Speaker, 5-1/4" DIA (PAIR)
6	16799	Valve, Flip Hopper/Parking Brake	17	28124	Shroud, Console, Overhead
7	11968	Label, Hopper Up	18	28109	Gauge, Air, Primary/Secondary
8	28090	FTG, EL, Push To CONN, 1/8" NPT X 1/4"	19	28110	FTG, P To C, 1/8" -27 Female X 1/4"
9	28438	Light, Warning, Amber	20	32506	Panel, Overhead, Slump, WRKSPC, MY10
10	31531	Gauge, Slump, Electronic, ACTIA			
11	40842	Adapter, FEM Pipe X 37°, 4-4			

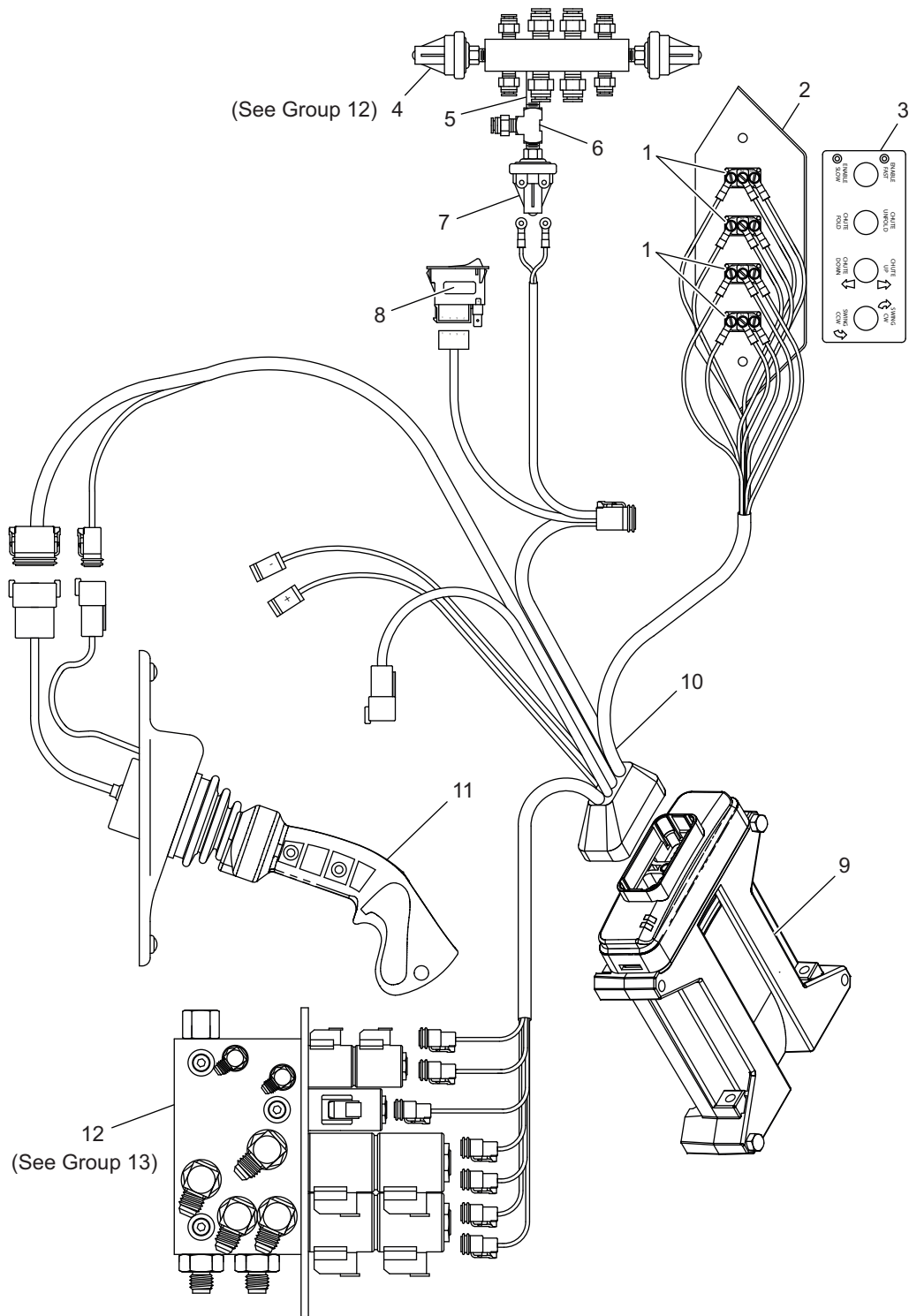
WHEN ORDERING PARTS, SPECIFY MODEL NUMBER, SERIAL NUMBER AND DESCRIPTION OF PARTS REQUIRED



**OVER HEAD PANEL, WRKSPC**

DATE: Released 01-2016  
 MODEL: FD  
 PAGE: 6.18

**GROUP**  
**6**



REF	PART NO.	DESCRIPTION	REF	PART NO.	DESCRIPTION
1	24419	Switch, SPDT, Environmentally Sealed	8	30662	Switch Rocker (DPST) TRANS Select
2	30903	Guard / Bracket, Switch, ELECT. HYD.	9	24282	Controller, ELECT/HYD,
3	30872	Placard, ELECT/HYD	10	30871	Harness, ELECT/HYD, W/TRANS. Select
4	29091	Manifold, 32 Port Air Switch	11	30869	Control Stick, ELECT HYD, W/TRANS
5	30963	Pipe Nipple, 1/8" NPT X 1.5" Brass	12	24327	Manifold ASSY, ELECT/HYD. 3 Spool
6	13095	Tee, Fitting, 1/8" NPT		31210	Manifold ASSY, ELECT/HYD. 2 Spool
7	14243	Pressure Switch, NC, 15 PSI			

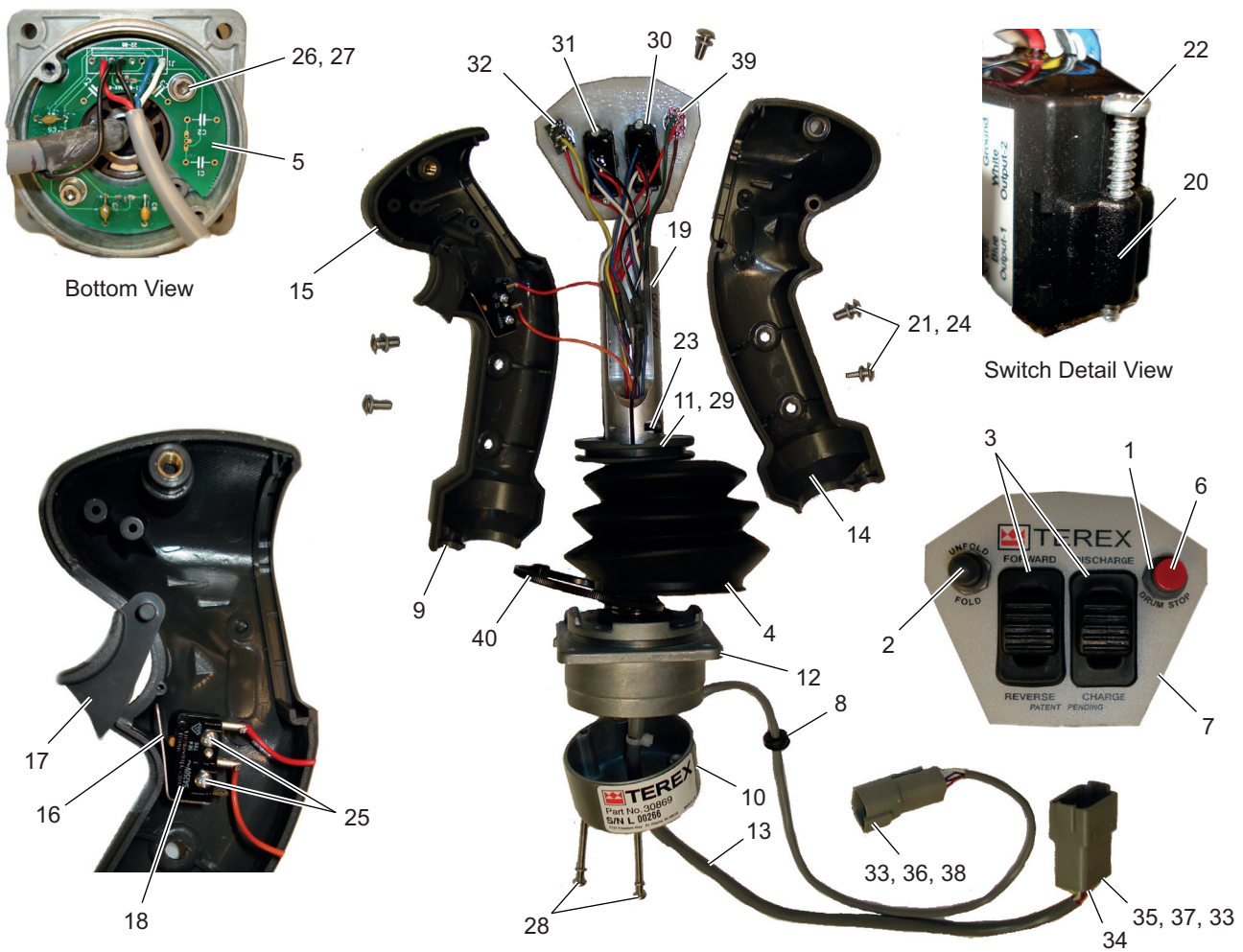
WHEN ORDERING PARTS, SPECIFY MODEL NUMBER, SERIAL NUMBER AND DESCRIPTION OF PARTS REQUIRED



**CONTROLS, ELECT/HYDR  
W/TRANS SELECT**

DATE: Released 01-2016  
MODEL: FD  
PAGE: 6.19

**GROUP  
6**

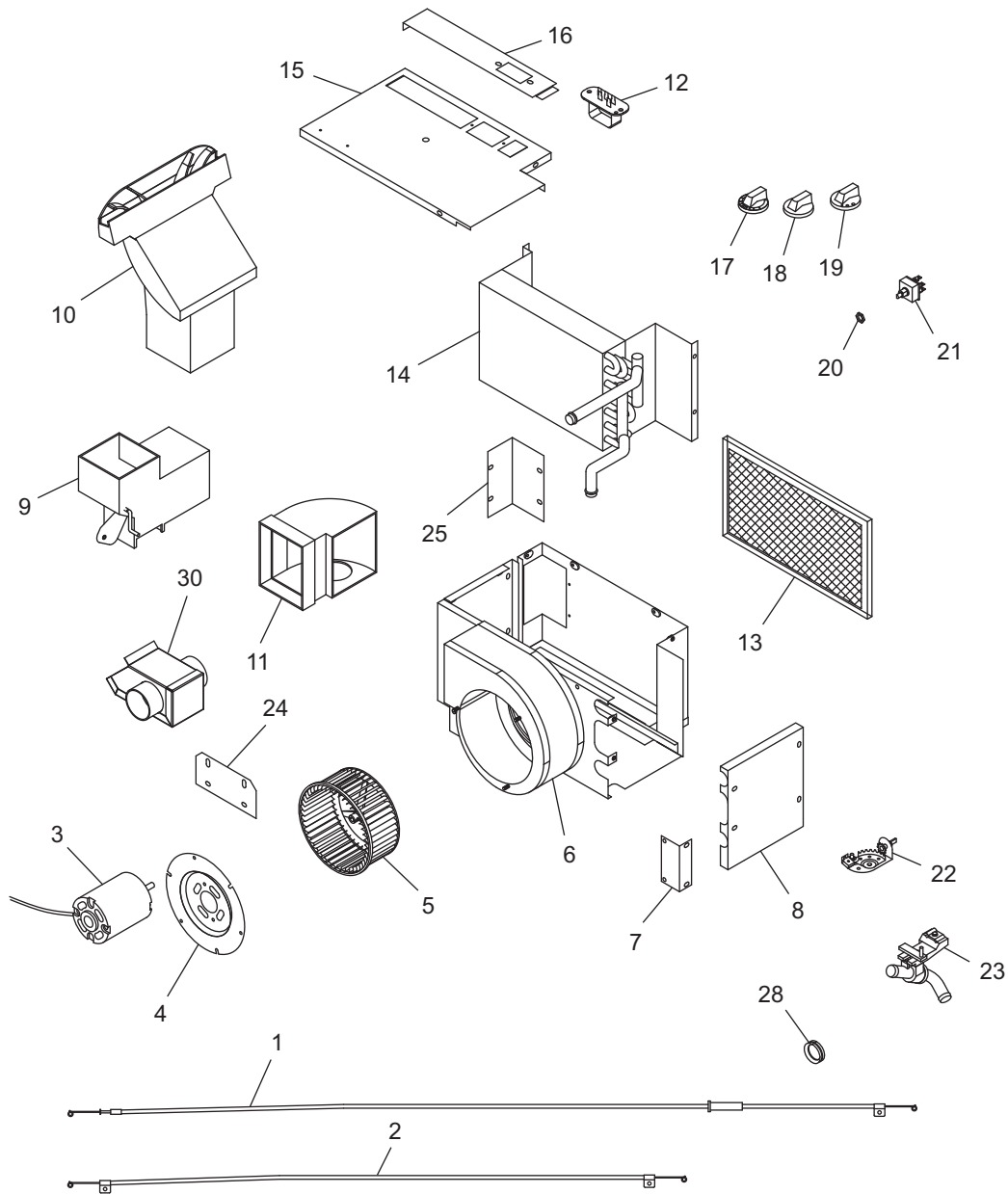


REF	PART NO.	DESCRIPTION	QTY	REF	PART NO.	DESCRIPTION	QTY
1	33811	Toggle Boot: Partial Cover Style-Grey .....	1	21		10-32 X 7/16" Button Head Socket SS 18-8.....	5
2	33818	Toggle Boot: Full Cover Style-Grey ....	1	22		#2 X 3/4" Self Tapping Pan Head Screw .....	4
3	33819	Boot: Slider Module.....	2	23		6-32 X 1/2 Cap Screw.....	1
4		Boot: JM Joystick .....	1	24		#10 Split Lock Washer .....	5
5		Joystick Sensor Circuit Card Assembly.....	1	25		2 X 9/16" Tapping Screw - Pan Head..	2
6	33810	Red Cap: NKK Switch .....	1	26		6-32 X 3/8" Socket Cap Screw, Stainless.....	2
7		Faceplate Overlay .....	1	27		#6 Lock Washer .....	4
8		3/8" X 1/4" Grommet .....	2	28		6-32 X 1 3/8" Button Head Phillips Screw .....	2
9		3/8" Hole Plug .....	1	29		Boot Washer For Joystick .....	1
10		Joystick: Housing Cover.....	1	30	33820	Slider Module: Switched, Maintained..	1
11		Boot Ring For JM Joystick .....	1	31	33821	Slider Module: Switched, Momentary .	1
12		JM Joystick: Assembly With CC & Boot .....	1	32		Standard Switch, 5 AMP .....	1
13		Handle Harness For L1-E6-01-JM-KF.....	1	33		Deutsch: Crimp Pins .....	13
14		Handle Case Left, Grey.....	1	34		Deutsch: Plug Seal .....	3
15		Handle Case Right, Grey .....	1	35		Deutsch: 12 Pin Housing Grey.....	1
16		Leaf Spring For Trigger .....	1	36		Deutsch, 4 Pin Housing, Grey.....	1
17		"L" Single Trigger, Grey .....	1	37		Deutsch: Wedge 12 Pin .....	1
18	30718	Push Button: Momentary Switch Assembly .....	1	38		Deutsch: Wedge 4 Pin .....	1
19		Clamping Pin: 12mm Bore Assembly. 1	1	39	33822	Toggle: 3 POS MOM, SPDT Assembly.....	1
20		Retainer: Module Retainer Bracket ....	4	40		4" Tie Wrap .....	1

WHEN ORDERING PARTS, SPECIFY MODEL NUMBER, SERIAL NUMBER AND DESCRIPTION OF PARTS REQUIRED

	<b>CONTROLS STICK, ELECT/HYD W/TRANS</b>	DATE: Released 01-2016	<b>GROUP 6</b>
		MODEL: FD	
		PAGE: 6.20	





REF	PART NO.	DESCRIPTION	REF	PART NO.	DESCRIPTION
1	30633	Cable, ADJ, 47", SG. Loop	16		Intake Air Block
2	27031	32" DBL Loop Cable	17	28055	Knob, Red Blue, TEMP CTL
3	19967	MTR, 12 V, PM, REV	18	28056	Knob, Cab-BI Level-DEF
4		Modified LRG Motor MNT	19	28057	Knob, Plastic, SPD CTL
5	19969	WHL, GALV, 5.75 X 2.42, CW, Fergus	20		Panel Nut
6		ASY, Body Wrap	21	19965	Switch, 3 SPD, 4 PSN
7		ASY, BKT, Core TB Hole CVR	22	19966	Actuator, Full Detent, NT, WSR
8		End Panel	23	30629	Valve, Heat, Barrel Type
9	19903	ASY, Elbow W/Door & EXH	24		BKT, Mount
10	19963	Duct, Exhaust Diffuser	25		Side Air Block
11	19964	Small Duct 90°, 2" Louver	26*		Louvre, 2" Ball, BLK
12	21831	Resistor, 4 Speed	27*		ADPTR 2" HS For 3404A
13	19970	Filter, 7 X 12 X 0.375, EXP AL	28		Grommet, 1"
14	19968	Coil, HT, 10.25 X 7 X 1.875	29*		Tinnerman Clip
15		ASY, Cover	30	19903	Defrost Plenum

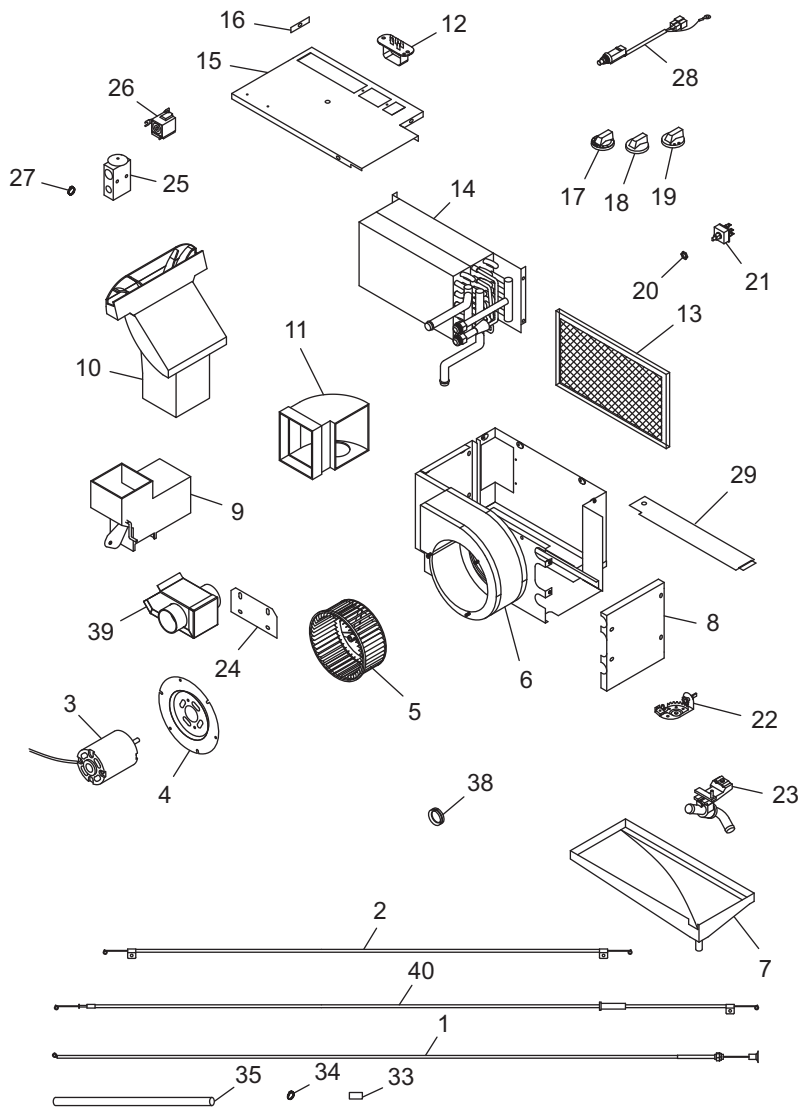
\*ITEMS 26, 27 & 29 ARE NOT SHOWN IN THE ILLUSTRATION  
 WHEN ORDERING PARTS, SPECIFY MODEL NUMBER, SERIAL NUMBER AND DESCRIPTION OF PARTS REQUIRED



**HVAC, HEATER/DEFROST,  
 STANDARD CAB**

DATE: Released 01-2016  
 MODEL: FD  
 PAGE: 6.21

**GROUP  
 6**

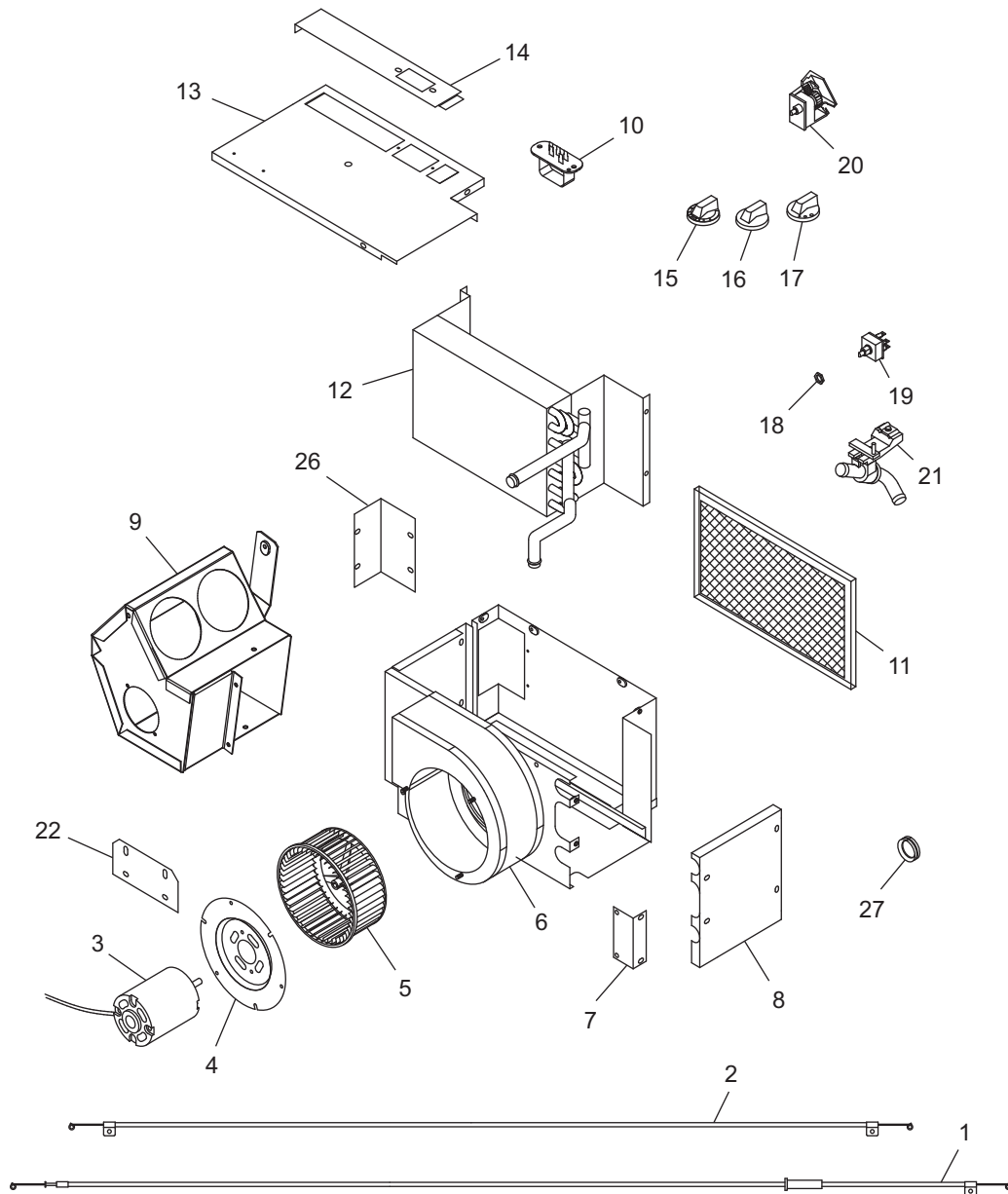


REF	PART NO.	DESCRIPTION	REF	PART NO.	DESCRIPTION
1	30074	51" Push/ Pull Cable	21	19965	Switch, 3 SPD, 4 PSN
2	27301	32" DBL Loop CBL	22	27032	CBL Rotary Control, CBL ST
3	19967	MTR, 12 V, PM, REV	23	30629	Valve, Heat, Barrel Type
4		Modified LRG Motor MNT	24		BKT, Mount
5	19969	WHL, GALV, 5.75 X 2.42, CW, Fergus	25		VLVE, BLK, TXV, 134A W/MTG
6		ASY, Body Wrap	26	19975	T-STAT, Preset FREEZEPRTR
7	19974	ASY, Drain Pan	27		O-Ring, #6, R134A, HNBR
8		End Panel	28	19972	Switch, PSH BTN, A/C
9	19903	ASY, Elbow W/Door & EXH	29		Bottom Air Block
10	19963	Duct, Exhaust Diffuser	30*		REFRGT Label
11	19964	Small Duct 90°	31*		Louvre 2" Ball BLK
12	21831	Resistor, 4 Speed	32*		Adapter 2"HS For 3404
13	19970	Filter, 7 X 12 X 0.375, EXP AL	33		Kazoo Tube
14	19968	Coil, HT/EVAP, 10.25 X 6 X 4.38	34		Hose Clamp, 0.5"
15		ASY, Cover	35		Drain Hose, 12"
16		BKT, Filter Retainer	36*		Cork Tape, 30"
17	28055	Knob, Red Blue, TEMP CTL	37*		Tinnerman Clip
18	28056	Knob, Cab-BI Level-DEF	38		Grommet 1"
19	28057	Knob, Plastic, SPD CTL	39	19903	Defrost Plenum
20		Panel Nut	40	30633	Cable, ADJ, 47", SG. Loop

\*ITEMS 30,31, 32, 36 & 37 ARE NOT SHOWN IN THE ILLUSTRATION

WHEN ORDERING PARTS, SPECIFY MODEL NUMBER, SERIAL NUMBER AND DESCRIPTION OF PARTS REQUIRED

	<b>HVAC, HEATER/DEFROST, AC STANDARD CAB</b>	DATE: Released 01-2016	<b>GROUP 6</b>
		MODEL: FD	
		PAGE: 6.22	



REF	PART NO.	DESCRIPTION	REF	PART NO.	DESCRIPTION
1	30630	Cable, ADJ, 55", SG. Loop	15	28055	Knob, Red Blue, TEMP CTL
2		45" DBL Loop Cable	16	28056	Knob, Cab-BI Level-DEF
3	19667	MTR, 12 V, PM, REV	17	28057	Knob, Plastic, SPD CTL
4		Modified LRG Motor MNT	18		Panel Nut
5	19969	WHL, GALV, 5.75 X 2.42, CW, Fergus	19	19965	Switch, 3 SPD, 4 PSN
6		ASY, Body Wrap	20	19966	Actuator, Full Detent, NT, WSR
7		ASY, BKT, Core TB Hole CVR	21	30629	Valve, Heat, Barrel Type
8		End Panel	22		BKT, Mount
9		Distribution Box	23		Side Air Block
10	21831	Resistor, 4 Speed	24*		Louvre, EUROVENT
11	19970	Filter, 7 X 12 X 0.375, EXP AL	25*		2.5" Collar
12	19968	Coil, HT, 10.25 X 7 X 1.875	26*		2" Collar
13		ASY, Cover	27		Grommet, 1"
14		Intake Air Block	28*		Tinnerman Clip

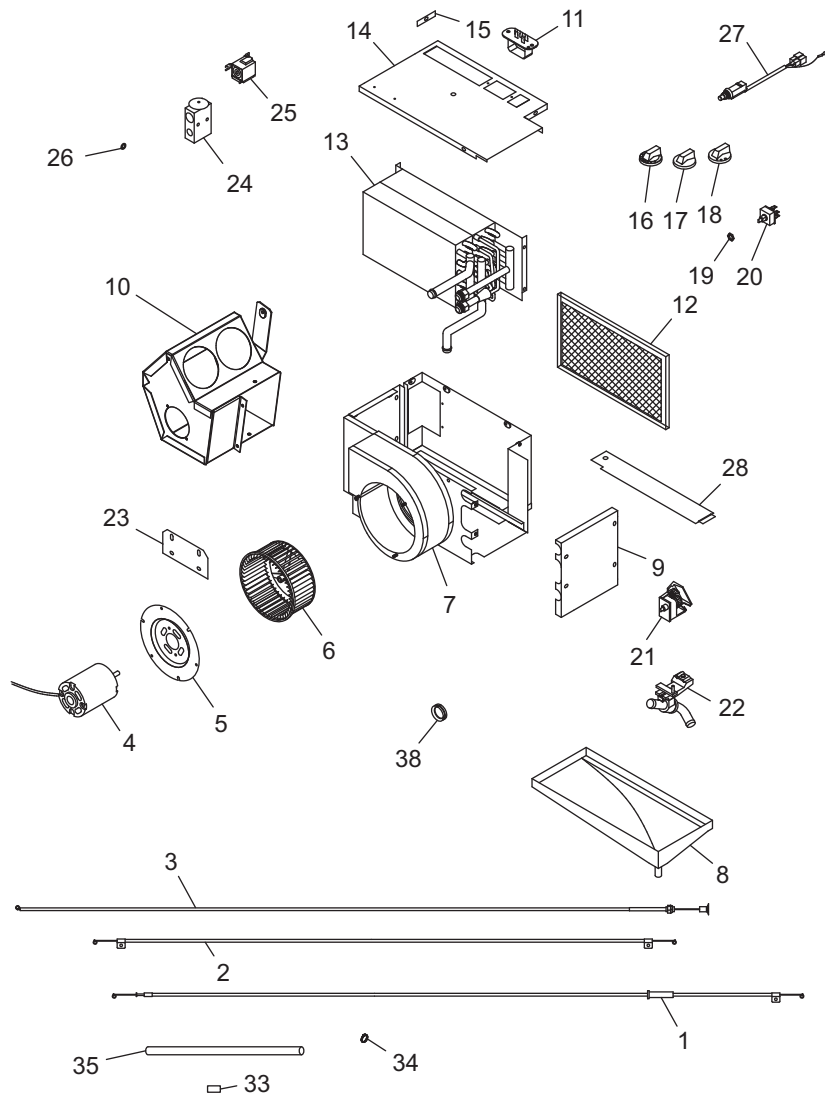
\*ITEMS 24, 25, 26 & 28 ARE NOT SHOWN IN THE ILLUSTRATION  
 WHEN ORDERING PARTS, SPECIFY MODEL NUMBER, SERIAL NUMBER AND DESCRIPTION OF PARTS REQUIRED



**HVAC, HEATER/DEFROST  
 WORKSPACE CAB**

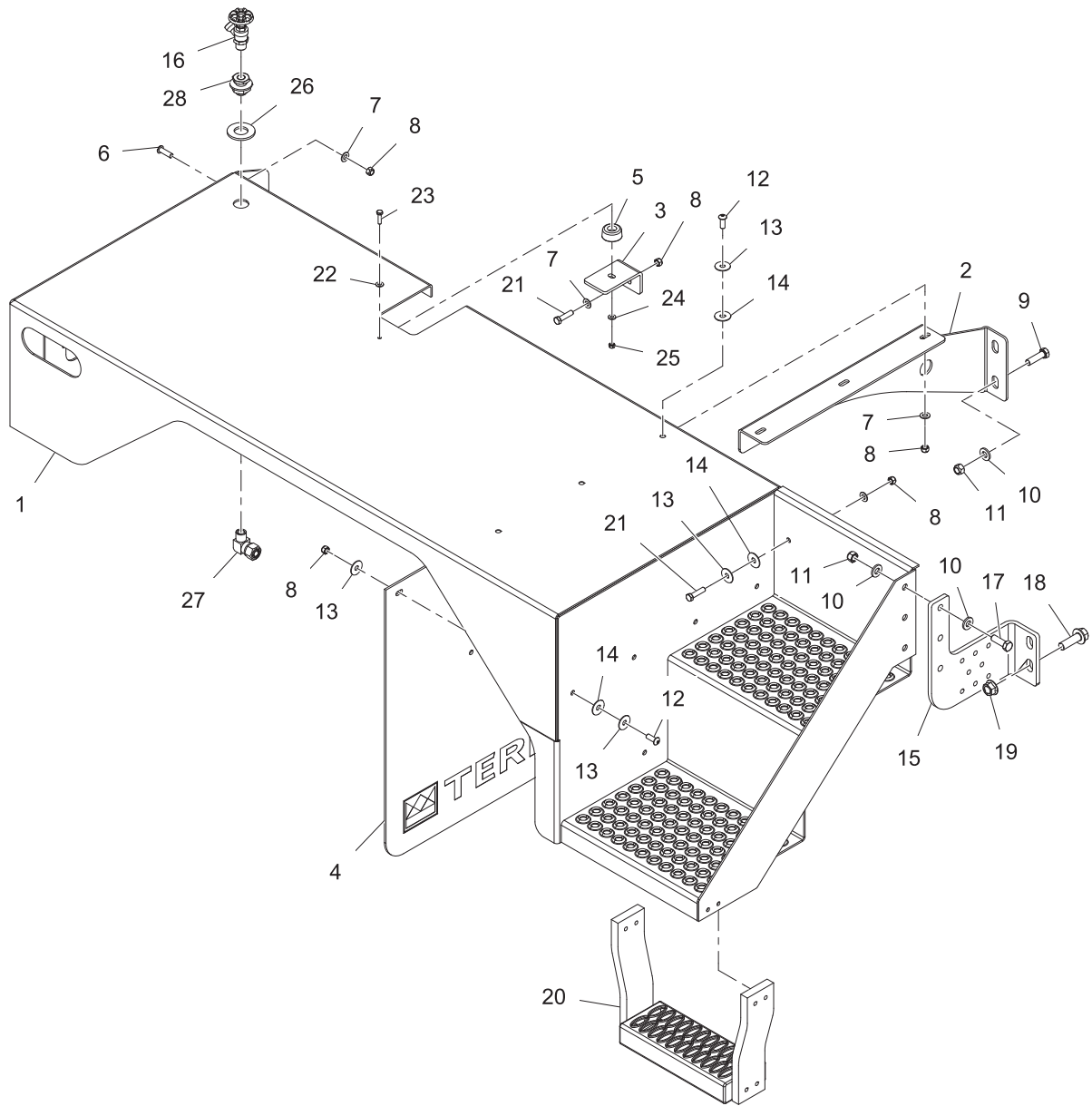
DATE: Released 01-2016  
 MODEL: FD  
 PAGE: 6.23

**GROUP  
 6**



REF	PART NO.	DESCRIPTION	REF	PART NO.	DESCRIPTION
1	30630	Cable, ADJ, 55, SG. Loop	20	19965	Switch, 3 SPD, 4 PSN
2		45" DBL Loop Cable	21	19966	Actuator, Full Detent, NT, WSR
3	30074	51" Push/Pull Cable	22	30629	Valve, Heat, Barrel Type
4	19967	MTR, 12 V, PM, REV	23		BKT, Mount
5		Modified LRG Motor MNT	24		VLVE, BLK, TXV, 134A W/MTG
6	19969	WHL, GALV, 5.75 X 2.42, CW, Fergus	25	19975	T-STAT, Preset FREEZEPRTR
7		ASY, Body Wrap	26		O-Ring, #6, R134A, HNBR
8	19974	ASY, Drain Pan	27	19972	Switch, PSH BTN, A/C
9		End Panel	28		Bottom Air Block
10		Distribution Box	29*		REFRGT Label
11	21831	Resistor, 4 Speed	30*		Louvre, EUROVENT
12	19970	Filter, 7 X 12 X 0.375, EXP AL	31*		2.5" Collar
13	19973	Coil, HT/EVAP, 10.25 X 6 X 4.38	32*		2" Collar
14		ASY, Cover	33		Kazoo Tube
15		BKT, Filter Retainer	34		Hose Clamp, 0.5"
16	28055	Knob, Red Blue, TEMP CTL	35		Drain Hose, 12"
17	28056	Knob, Cab-BI Level-DEF	36*		Cork Tape, 30"
18	28057	Knob, Plastic, SPD CTL	37*		Tinnerman Clip
19		Panel Nut	38		Grommet 1"

\*ITEMS 29 TO 32, 36 & 37 ARE NOT SHOWN IN THE ILLUSTRATION  
 WHEN ORDERING PARTS, SPECIFY MODEL NUMBER, SERIAL NUMBER AND DESCRIPTION OF PARTS REQUIRED



REF PART NO. DESCRIPTION

	34374	Kit, Front Fender, STSD, MY13
1	34263	Fender, FD Front RDSD, Narrow, MY14
	35246	Fender, Front, RDSD, Narrow, MY14, WRK
2	33435	Support, Fender, Front, MY13
3	33446	Support, Fender, Front, MY13
4	33809	Mud Flap, Front, RDSD
5	33872	Bumper, Rubber, 1.5" DIA X 3/4" DUR 70A
6	19142	Bolt, BHSCS, 3/8-16 X 1-1/4"
7	19272	Washer, Flat, 3/8 A325
8	19353	Nut, Auto Style, 3/8-16, GRC
9	19114	Bolt, HHCS, 1/2-13 X 1-3/4, GR8
10	19093	Washer, Flat, 1/2 A325
11	19354	Nut, Auto Style, 1/2-13, GRC (Lock)
12	19123	Bolt, BHSCS, 3/8-16 X 1"
13	22288	Washer, FNDR, 3/8" X 1-1/4", ZP
14	19308	Washer, Flat, 3/8", PVC

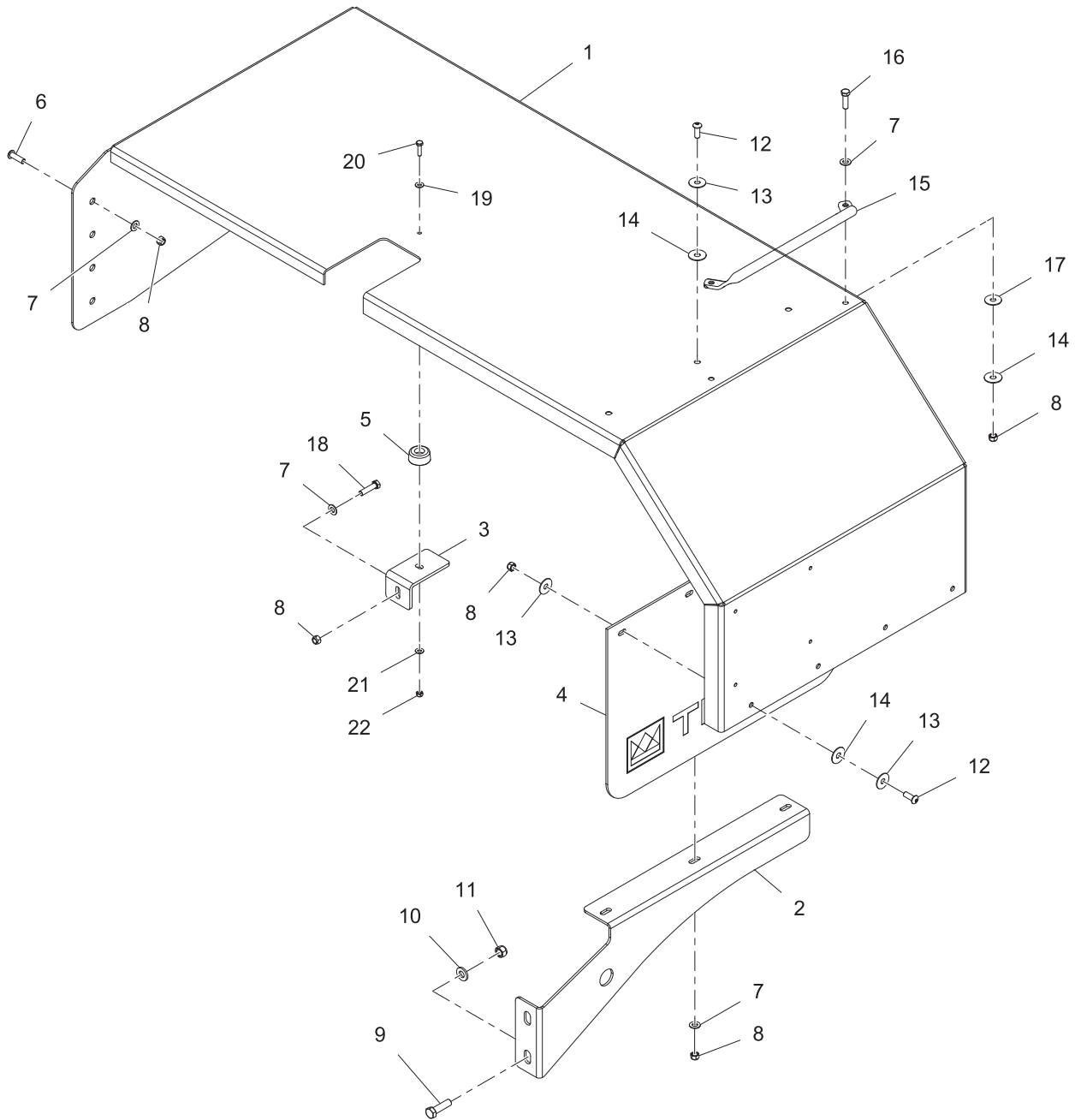
REF PART NO. DESCRIPTION

15	33436	Support, Fender, RDSD, Rear, MY13
	34905	Bracket, Fender, RDSD, Rear, MY14, 7AX
16	13106	Valve, Ball, Water, 1/2", Brass
17	19113	Bolt, HHCS, 1/2-13 X 1-1/2, GR8
18	14464	Bolt, FLNG, 5/8"-18 X 2", PO, GR8
19	14461	Nut, Lock, Flange, 5/8"-18, GR8
20	33461	Step, Hanging, Flexible, 12", MY13
21	19109	Bolt, HHCS, 3/8"-16 X 1-1/2", PF, GR8
22	19053	Washer, Flat, 1/4", SAE, ZP
23	19029	Bolt, HHCS, 1/4"-20 X 1", SS
24	19015	Washer, Lock, External, 1/4", ZP
25	19352	Nut, Lock, Top, 1/4"-20, ZP, GRC
26		Washer, 1 1/8" Black Power Coat
27	11789	FTG, AB, 90° M EL, 3/4" TOD X 1/2" NPT
28	12231	FTG, Pipe, Bulkhead, 1/2" NPT, Brass

**WHEN ORDERING PARTS, SPECIFY MODEL NUMBER, SERIAL NUMBER AND DESCRIPTION OF PARTS REQUIRED**

	<h2>FRONT FENDER, STSD</h2>	DATE: Released 01-2016	<b>GROUP</b>  <span style="font-size: 2em;"><b>7</b></span>
		MODEL: FD	
		PAGE: 7.1	





REF	PART NO.	DESCRIPTION	REF	PART NO.	DESCRIPTION
	34375	Kit, Front Fender, CBSD,MY13			
1	34262	Fender, FD Front CBSD, Narrow, MY14	12	19123	Bolt, BHSCS, 3/8-16 X 1"
2	33435	Support, Fender, Front, MY13	13	22288	Washer, FNDR, 3/8" X 1-1/4", ZP
3	33446	Support, Fender, Front, MY13	14	19308	Washer, Flat, 3/8", PVC
4	18131	Mud Flap, Logo, Terex	15	29371	Handle, Cab Access, Work Space
5	33872	Bumper, Rubber, 1.5" DIA X 3/4" DUR 70A	16	19107	Bolt, HHCS, 3/8" X 1-1/4", PF, GR8
6	19142	Bolt, BHSCS, 3/8-16 X 1-1/4"	17	19315	Washer, Fender, 3/8 X 1-1/4, GR2
7	19272	Washer, Flat, 3/8 A325	18	19109	Bolt, HHCS, 3/8"-16 X 1-1/2", PF, GR8
8	19353	Nut, Auto Style, 3/8-16, GRC	19	19053	Washer, Flat, 1/4", SAE, ZP
9	19114	Bolt, HHCS, 1/2-13 X1-3/4, GR8	20	19029	Bolt, HHCS, 1/4"-20 X 1", SS
10	19093	Washer, Flat, 1/2 A325	21	19015	Washer, Lock, External, 1/4", ZP
11	19354	Nut, Auto Style, 1/2-13, GRC (Lock)	22	19352	Nut, Lock, Top, 1/4"-20, ZP, GRC

WHEN ORDERING PARTS, SPECIFY MODEL NUMBER, SERIAL NUMBER AND DESCRIPTION OF PARTS REQUIRED



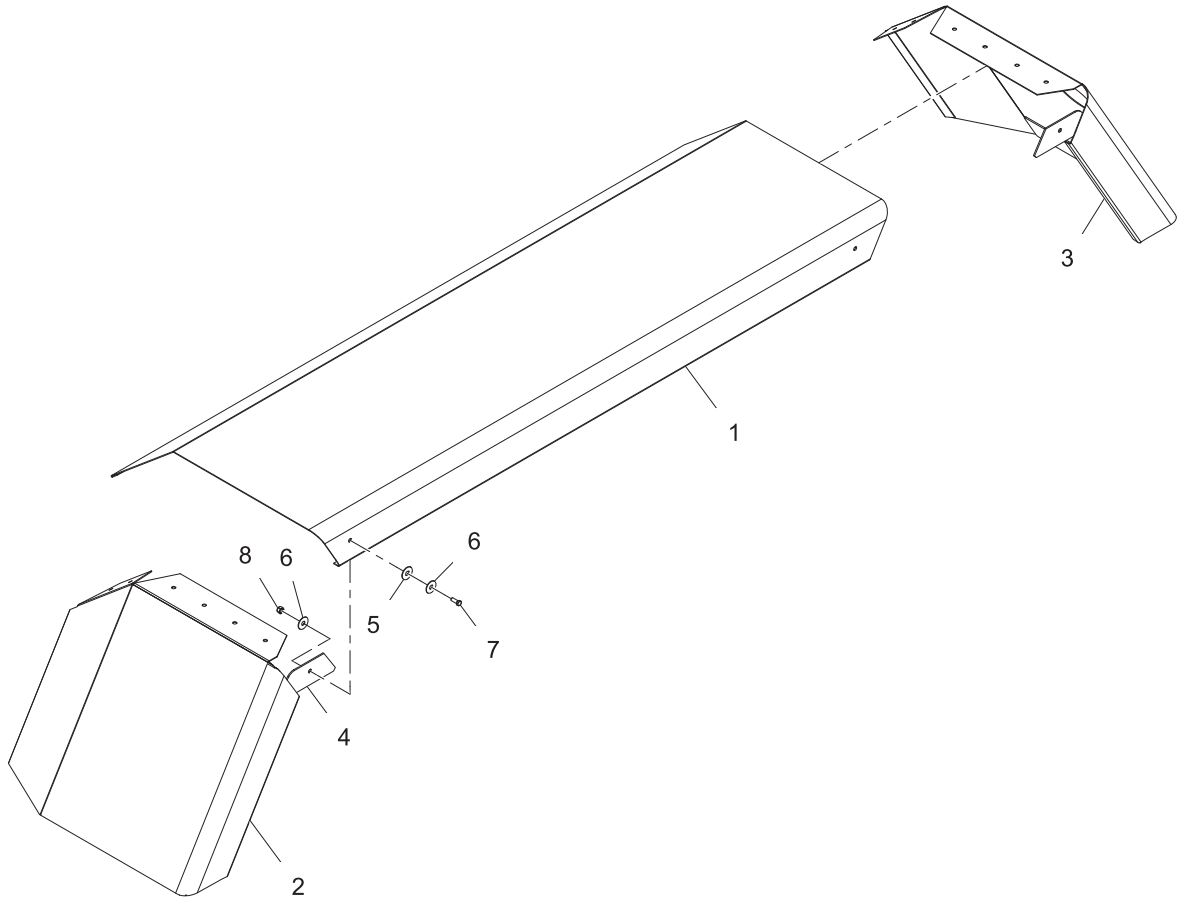
**FRONT FENDER, CBSD**

DATE: Released 01-2016  
 MODEL: FD  
 PAGE: 7.2

GROUP

**7**

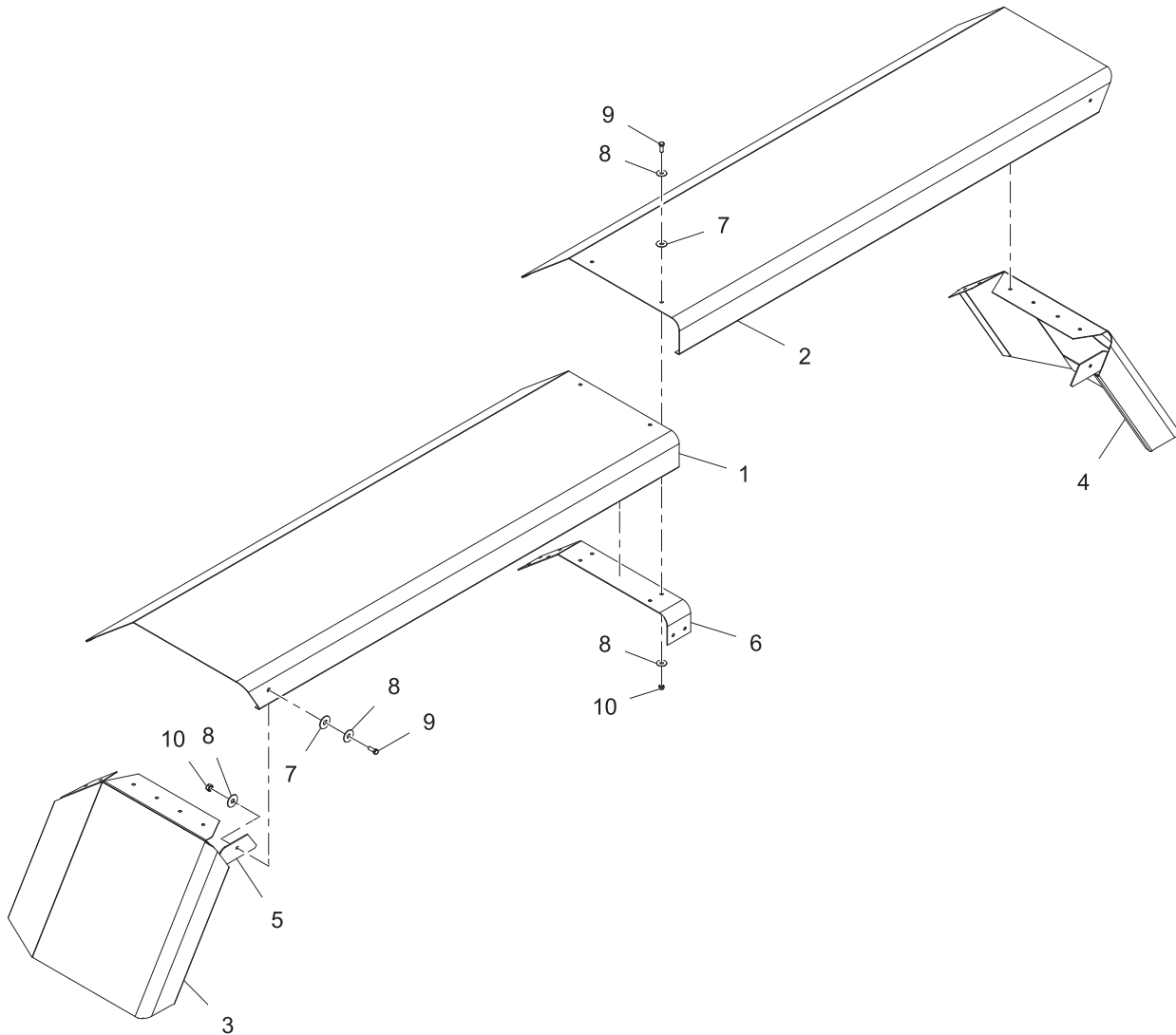
**FENDERS**



REF	PART NO.	DESCRIPTION	QTY	REF	PART NO.	DESCRIPTION	QTY
1	33544	Fender, Rear, ALUM, 139", 2012 .....	1	4	23820	Gusset, Rear, Fender End Cap.....	2
	33651	Fender, Rear, ALUM, 89", 2012 .....	1	5	19308	Washer, Flat, 3/8 PVC .....	9
	33741	Fender, Rear, ALUM, 107", MY13.....	1	6	22288	Washer, Fender, 3/8" X 1-1/4" .....	18
2	33546	WDMT, Fender End Cap, RDS-Front, 2012 .....	1	7	19105	Bolt, HHCS, 3/8"-16 X 1", PF, GR8.....	9
	33545	WDMT, Fender End Cap, CBSD-Front, 2012.....	1	8	19353	Nut, Lock, Top, 3/8"-16, ZP, GRC .....	9
3	33549	WDMT, Fender End Cap, RDS-RR, 2012.....	1				
	33550	WDMT, Fender End Cap, CBSD-RR, 2012.....	1				

WHEN ORDERING PARTS, SPECIFY MODEL NUMBER, SERIAL NUMBER AND DESCRIPTION OF PARTS REQUIRED

	<p><b>REAR FENDER 2010-2015</b></p>	DATE: Released 01-2016	<p><b>GROUP</b> <b>7</b></p>
		MODEL: FD	
		PAGE: 7.3	

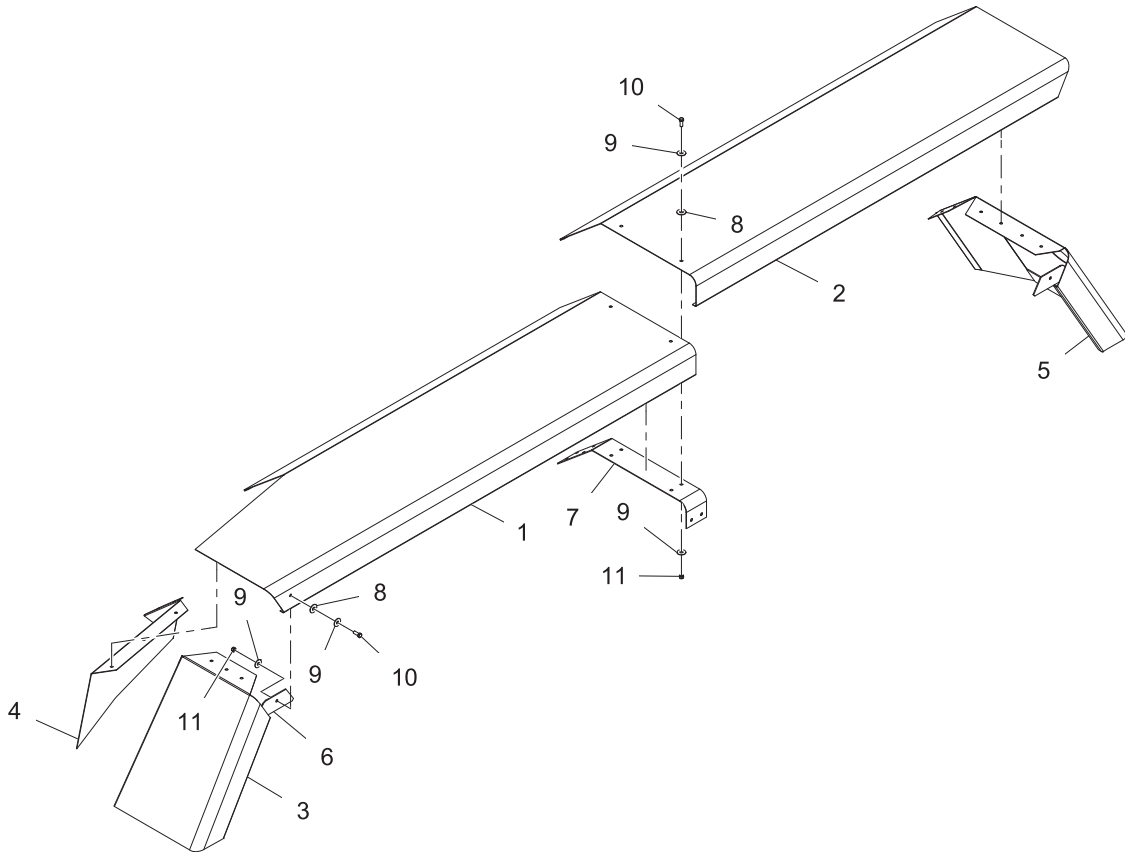


REF	PART NO.	DESCRIPTION	QTY	REF	PART NO.	DESCRIPTION	QTY
1	33717	Fender, Rear, RDSD Rear, 75", MY13.....	1	3	33546	WDMT, Fender End Cap, RDSD-Front, 2012.....	1
	33718	Fender, Rear, CBSD Rear, 75", MY13.....	1		33545	WDMT, Fender End Cap, CBSD-Front, 2012.....	1
	33719	Fender, Rear, Front RDSD, 107", MY13.....	1	4	33549	WDMT, Fender End Cap, RDSD-RR, 2012.....	1
	33720	Fender, Rear, Front CBSD, 107", MY13.....	1		33550	WDMT, Fender End Cap, CBSD-RR, 2012.....	1
2	33721	Fender, Rear, RDSD Rear, 118", MY13.....	1	5	23820	Gusset, Rear, Fender End Cap.....	2
	33722	Fender, Rear, CBSD Rear, 118", MY13.....	1	6	34077	Plate, Rear Fender Splice, 2013.....	1
	33719	Fender, Rear, Front RDSD, 107", MY13.....	1	7	19308	Washer, Flat, 3/8 PVC.....	9
	33720	Fender, Rear, Front CBSD, 107", MY13.....	1	8	22288	Washer, Fender, 3/8" X 1-1/4".....	18
				9	19105	Bolt, HHCS, 3/8"-16 X 1", PF, GR8.....	9
				10	19353	Nut, Lock, Top, 3/8"-16, ZP, GRC.....	9

WHEN ORDERING PARTS, SPECIFY MODEL NUMBER, SERIAL NUMBER AND DESCRIPTION OF PARTS REQUIRED

	<b>REAR FENDER 2010-2015</b>	DATE: Released 01-2016	<b>GROUP 7</b>
		MODEL: FD	
		PAGE: 7.4	

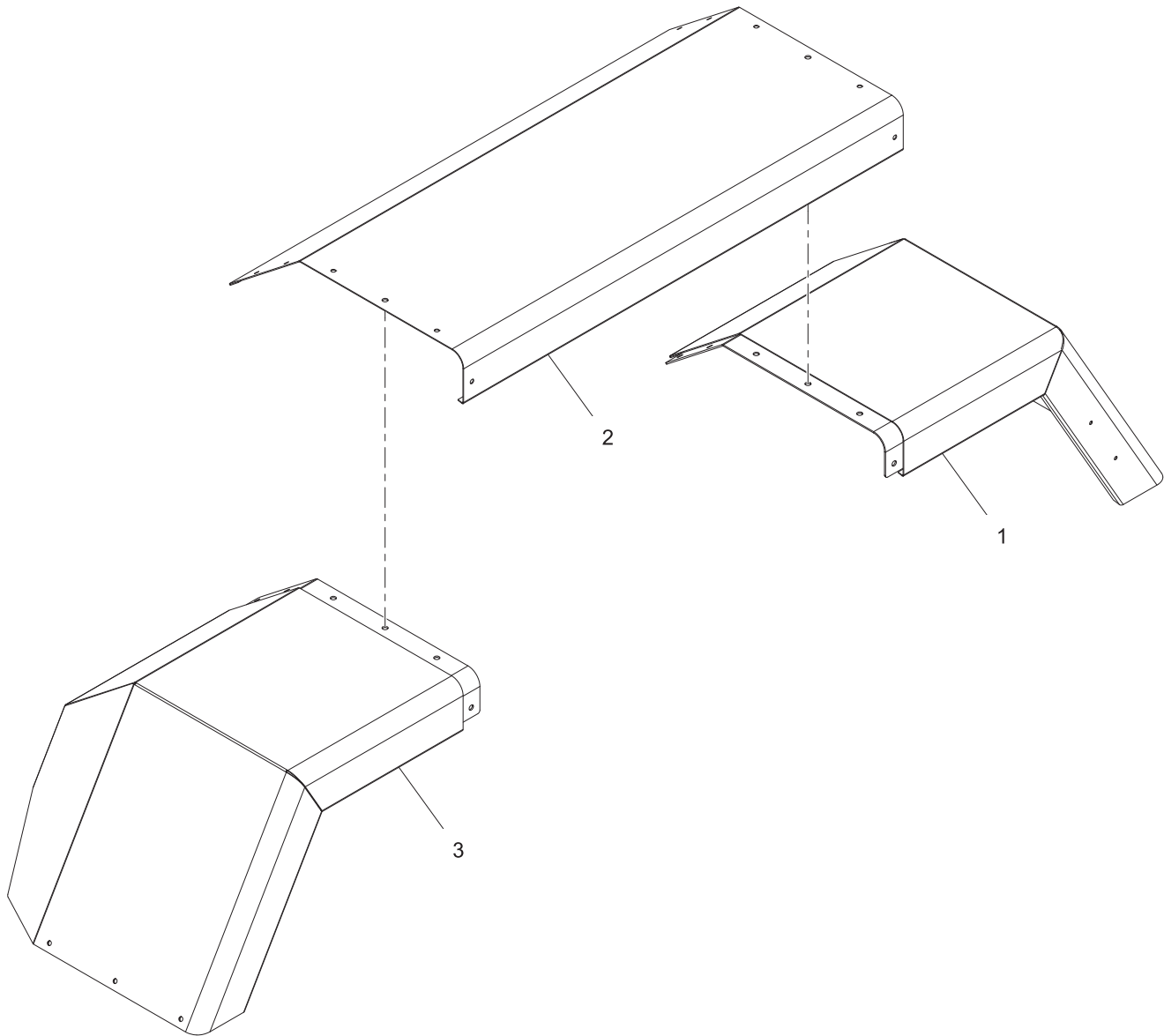
**FENDERS**



REF	PART NO.	DESCRIPTION	QTY	REF	PART NO.	DESCRIPTION	QTY
1	33747	Fender, Rear, 85", W/150GL Cutout, RDSD .....	1		33781	WDMT, FNDR End Cap, W/200GL Cutout, RDSD .....	1
	33748	Fender, Rear, 85", W/150GL Cutout, CBSD .....	1		33780	WDMT, FNDR ENDCAP, W/200GL Cutout, CBSD .....	1
	33764	Fender, Rear, 85", W/200GL Cutout, RDSD .....	1	4	33759	Cap, Inner FNDR, W/150GAL Cutout, RDSD .....	1
	33765	Fender, Rear, 85", W/200GL Cutout, CBSD .....	1		33758	Cap, Inner FNDR, W/150GAL Cutout, CBSD .....	1
	33749	Fender, Rear, 107", W/150GL Cutout, RDSD .....	1		33753	Cap, Inner FNDR, W/200GAL Cutout, RDSD .....	1
	33750	Fender, Rear, 107", W/150GL Cutout, CBSD .....	1		33752	Cap, Inner FNDR, W/200GAL Cutout, CBSD .....	1
	33766	Fender, Rear, 107", W/200GL Cutout, RDSD .....	1	21664		Inner Cap, Front, Rear Fender, RDSD .....	1
	33767	Fender, Rear, 107", W/200GL Cutout, CBSD .....	1	21665		Inner Cap, Front, Rear Fender, CBSD .....	1
2	33705	Fender, Rear, RDSD Rear, 93", MY13 .....	1	5	33550	WDMT, Fender End Cap, CBSD-RR, 2012 .....	1
	33706	Fender, Rear, CBSD Rear, 93", MY13 .....	1		33549	WDMT, Fender End Cap, RDSD-RR, 2012 .....	1
	33721	Fender, Rear, RDSD Rear, 118", MY13 .....	1	6	23820	Gusset, Rear, Fender End Cap .....	2
	33722	Fender, Rear, CBSD Rear, 118", MY13 .....	1	7	34077	Plate, Rear Fender Splice, 2013 .....	1
				8	19308	Washer, Flat, 3/8 PVC .....	9
				9	22288	Washer, Fender, 3/8" X 1-1/4" .....	18
3	33755	WDMT, FNDR, End, W/150GAL Cutout, RDSD .....	1	10	19105	Bolt, HHCS, 3/8"-16 X 1", PF, GR8 .....	9
	33754	WDMT, FNDR, End, W/150GAL Cutout, CBSD .....	1	11	19353	Nut, Lock, Top, 3/8"-16, ZP, GRC .....	9

WHEN ORDERING PARTS, SPECIFY MODEL NUMBER, SERIAL NUMBER AND DESCRIPTION OF PARTS REQUIRED

	<p><b>REAR FENDER 2010-2015</b></p>	DATE: Released 01-2016	<p><b>GROUP</b> <b>7</b></p>
		MODEL: FD	
		PAGE: 7.5	



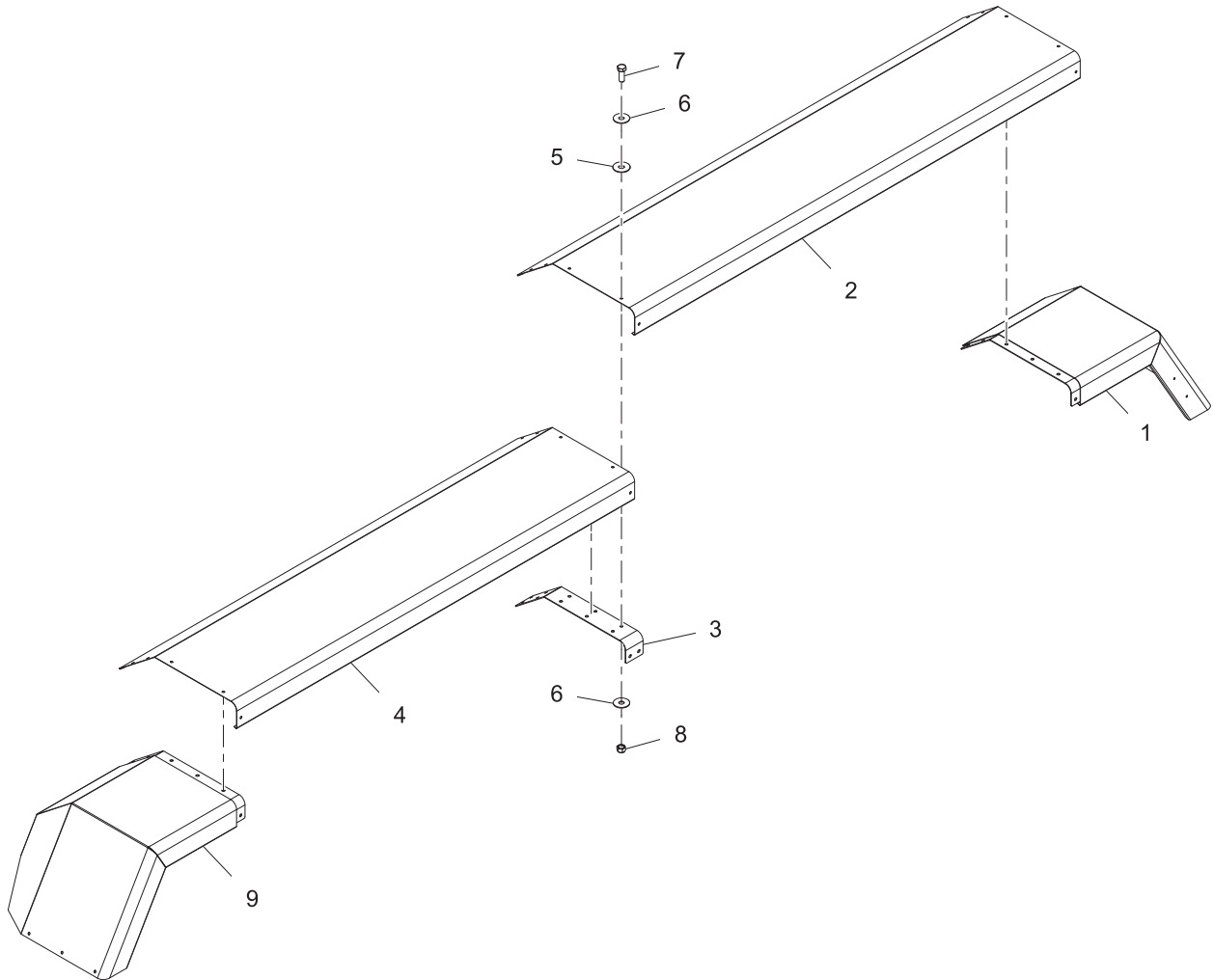
<u>REF</u>	<u>PART NO.</u>	<u>DESCRIPTION</u>	<u>QTY</u>	<u>REF</u>	<u>PART NO.</u>	<u>DESCRIPTION</u>	<u>QTY</u>
1	34682	WDMT, End Cap RR FNDR STSD RR MY14 .....	1	3	34684	WDMT, End Cap RR FNDR STSD FRT MY14 .....	1
	34683	WDMT, End Cap RR FNDR CBSD RR MY14.....	1		34685	WDMT, End Cap RR FNDR CBSD FRT MY14.....	1
2	34661	Fender, Rear 51" FD3000, FDB4000, MY14 .....	1		34686	WDMT, End Cap RR FNDR STSD 150GL, FDB6000, MY14 .....	1
	34662	Fender, Rear 69" FDB4000IL, MY14.....	1		34687	WDMT, End Cap RR FNDR CBSD 150GL, FDB6000, MY14.....	1
	34665	Fender, Rear 103" FD4000, MY14.....	1		34688	WDMT, End Cap RR FNDR STSD 200GL, FDB6000, MY14 .....	1
	34667	Fender, Rear 144" FD5000GL, MY14 .....	1		34689	WDMT, End Cap RR FNDR CBSD 200GL, FDB6000, MY14.....	1
	34666	Fender, Rear, 137", FDB6000, MY14.....	1				

WHEN ORDERING PARTS, SPECIFY MODEL NUMBER, SERIAL NUMBER AND DESCRIPTION OF PARTS REQUIRED

	<h2>REAR FENDER 2016</h2>	DATE: Released 01-2016	<b>GROUP</b>  <b>7</b>
		MODEL: FD	
		PAGE: 7.6	



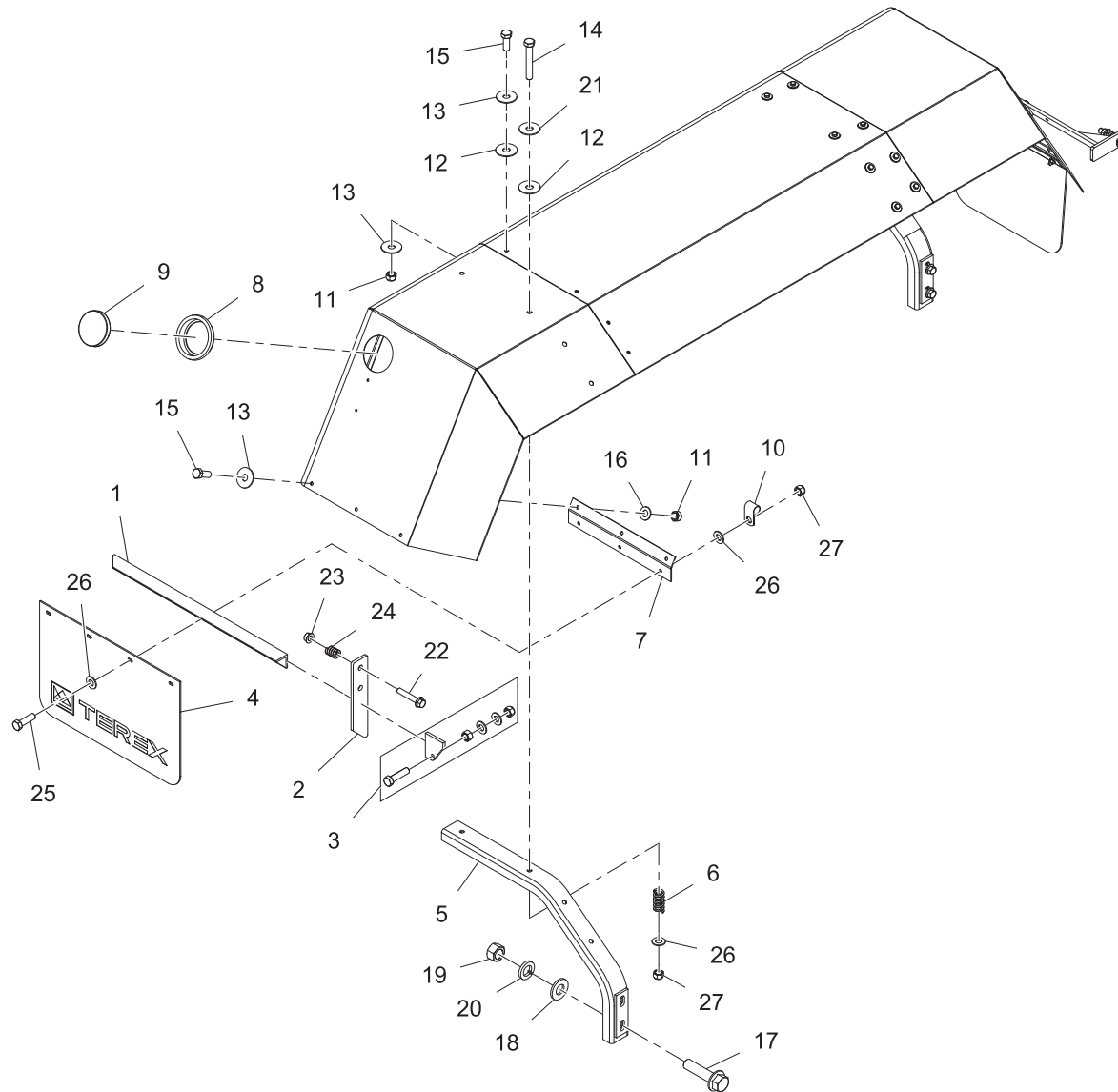
**FENDERS**



REF	PART NO.	DESCRIPTION	QTY	REF	PART NO.	DESCRIPTION	QTY
1	34682	WDMT, End Cap RR FNDR STSD RR MY14 .....	1	9	34684	WDMT, End Cap RR FNDR STSD FRT MY14 .....	1
	34683	WDMT, End Cap RR FNDR CBSD RR MY14 .....	1		34685	WDMT, End Cap RR FNDR CBSD FRT MY14 .....	1
2	34665	Fender, Rear 103" FD6000MS, FDB7000, MY14 .....	1		34690	WDMT, End Cap RR FNDR STSD 150GL, FDB7000, MY14 .....	1
3	34659	Plate, Rear Fender Splice MY14 .....	1		34691	WDMT, End Cap RR FNDR CBSD 150GL, FDB7000, MY14 .....	1
4	34664	Fender, Rear 88" FD6000MS, MY14 .....	1		34692	WDMT, End Cap RR FNDR STSD 200GL, FDB7000, MY14 .....	1
	34663	Fender, Rear 75" FDB7000, MY14 ....	1		34693	WDMT, End Cap RR FNDR CBSD 200GL, FDB7000, MY14 .....	1
5	19308	Washer, Flat, 3/8 PVC .....	5				
6	22288	Washer, Fender, 3/8" X 1-1/4" .....	10				
7	19105	Bolt, HHCS, 3/8"-16 X 1", PF, GR8 ....	5				
8	19353	Nut, Lock, Top, 3/8"-16, ZP, GRC .....	5				

WHEN ORDERING PARTS, SPECIFY MODEL NUMBER, SERIAL NUMBER AND DESCRIPTION OF PARTS REQUIRED

	<p><b>REAR FENDER 2016</b></p>	DATE: Released 01-2016	<p><b>GROUP</b> <b>7</b></p>
		MODEL: FD	
		PAGE: 7.7	

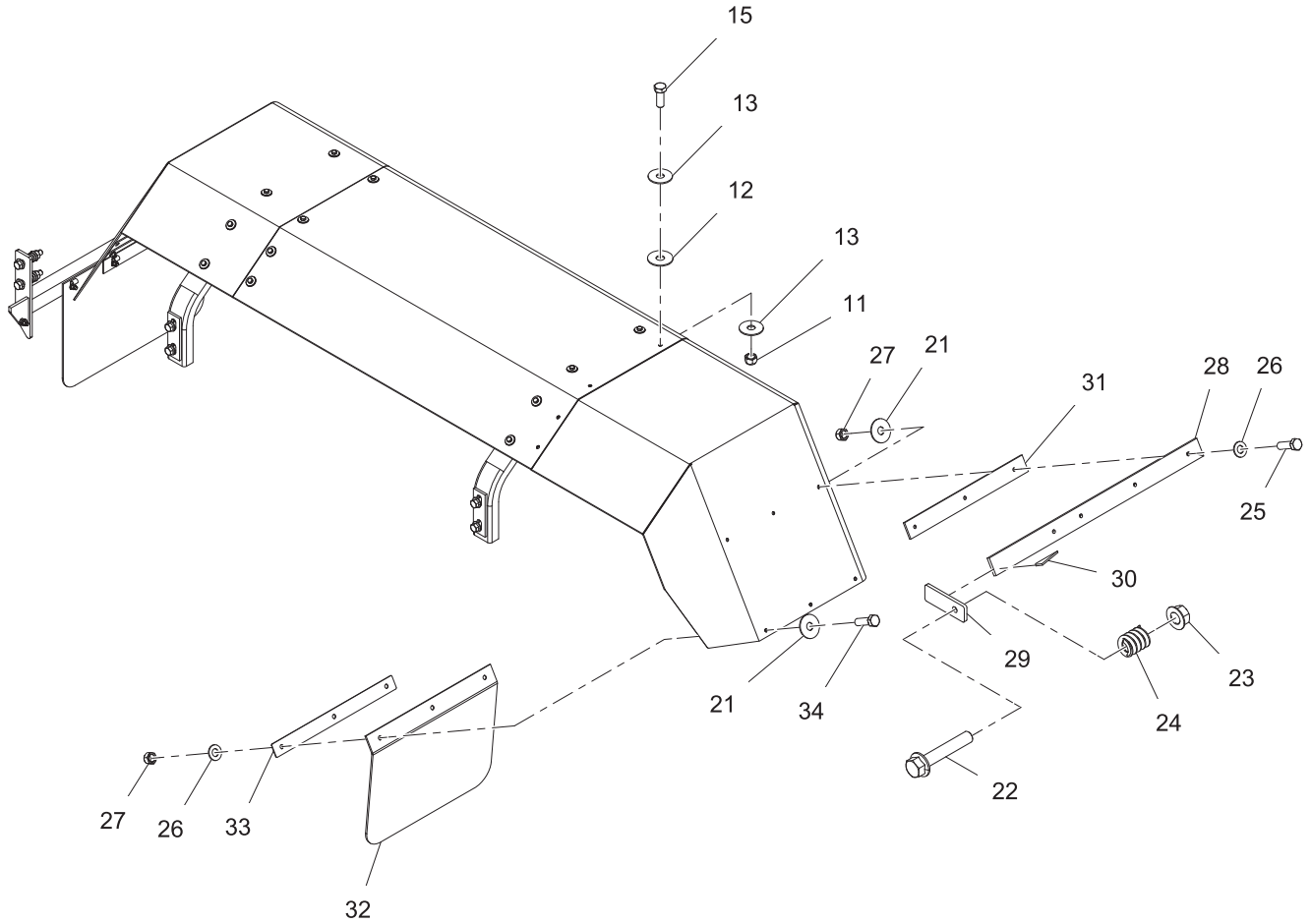


REF	PART NO.	DESCRIPTION	QTY	REF	PART NO.	DESCRIPTION	QTY
1	24311	Angle, Rear Fender Support, RDSD ..	1	15	19105	Bolt, HHCS, 3/8"-16 X 1", PF, GR8.....	AR
	24312	Angle, Rear Fender Support, CBSD ..	1	16	19045	Washer, Flat, 3/8" YZ.....	AR
2	11295	Plate, Rear Fender Support .....	1	17	14462	Bolt, Flange, 5/8-18 X 2-1/2", PO, GR8 .....	AR
3	24726	WDMT, Gusset, Rear Fender, LH.....	1	18	19086	Washer, Flat, 5/8".....	AR
	24725	WDMT, Gusset, Rear Fender, RH.....	1	19	19032	Nut, HEX, 5/8"-18, GR2 .....	AR
4	18131	Mud Flap, Logo, Terex .....	1	20	19034	Washer, Lock, 5/8" .....	AR
5	33555	WDMT, Rear Fender, Mount, 2012.....	AR	21	35354	Washer Fender, 3/8" GR 18-8, SST....	AR
6	14437	Spring, Chain Drive	AR	22	14466	Bolt, Flange, 5/8-18 X 3-1/2", PO, GR8 .....	AR
7	24310	Angle, Mud Flap, 4-Axle (W/Holes)....	1	23	14461	Nut, Lock, Flange, 5/8-18, GR8 .....	AR
	24309	Angle, Mud Flap, 5-Axle (W/Holes)....	1	24	11709	Spring, Chain Drive .....	AR
8	40663	4" Rubber Grommet	1	25	35359	Bolt, HHCS, 3/8"-16 X 1-1/2", SST .....	AR
9	40661	4" RND, LED, Stop/ Turn/ Tail, Light..	1	26	35358	Washer Fender, 3/8" ID, 7/8" OD, SST .....	AR
10	18869	Clamp, RBC-1/2 .....	AR	27	35341	Nut, HEX, 3/8"-16 SST, Nylon Insert...AR	
11	19353	Nut, Lock, Top, 3/8"-16, ZP, GRC.....	AR				
12	19308	Washer, Flat, 3/8 PVC.....	AR				
13	22288	Washer, Fender, 3/8" X 1-1/4" .....	AR				
14	35340	Bolt, HHCS, 3/8" -16 X 2-1/2", SST....	AR				

WHEN ORDERING PARTS, SPECIFY MODEL NUMBER, SERIAL NUMBER AND DESCRIPTION OF PARTS REQUIRED

	<h2>REAR FENDERS MOUNTINGS</h2>	DATE: Released 01-2016	<b>GROUP</b>  <b>7</b>
		MODEL: FD	
		PAGE: 7.8	

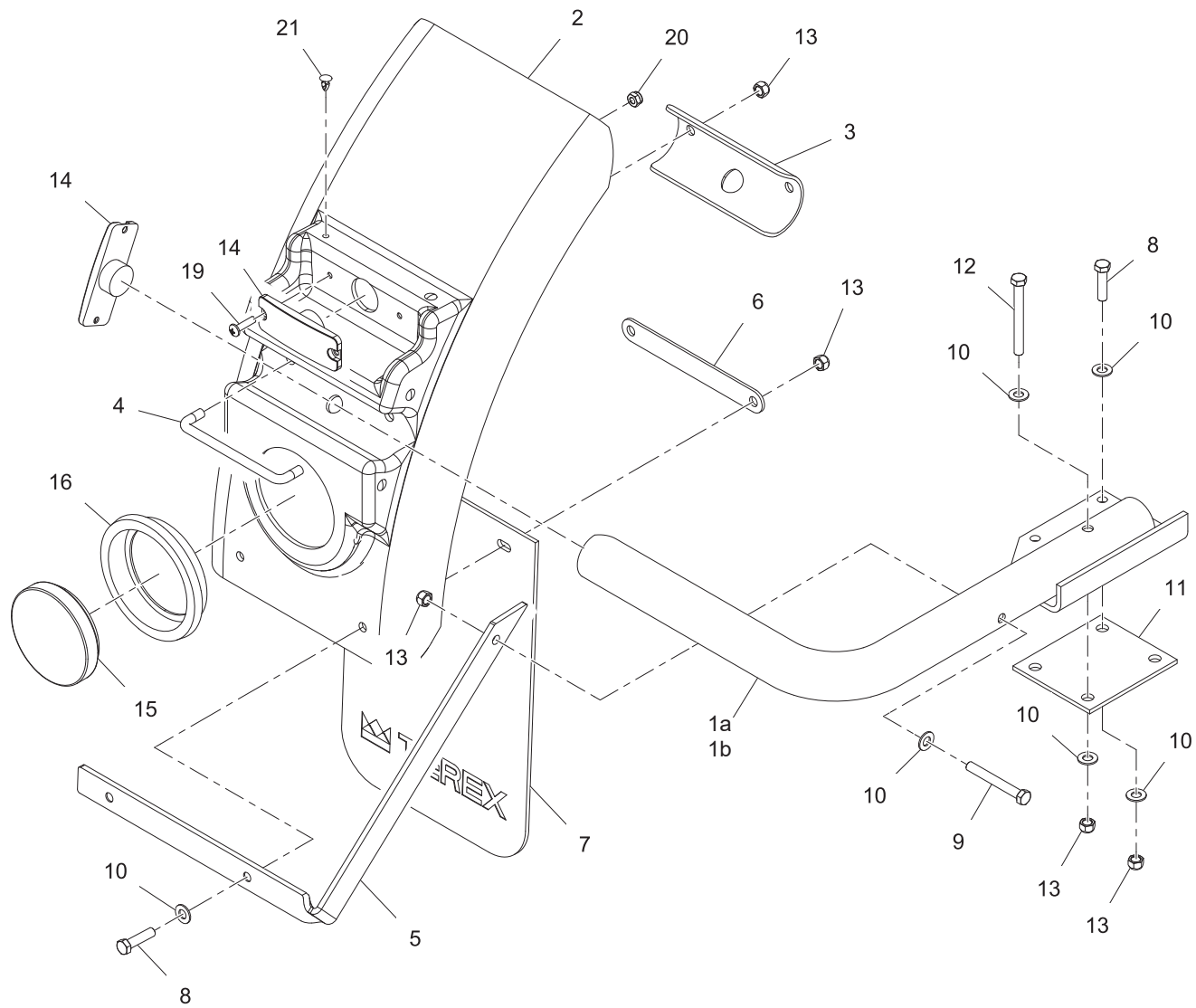
# FENDERS



REF	PART NO.	DESCRIPTION	QTY	REF	PART NO.	DESCRIPTION	QTY
28	34441	Plate, FRT Mounting, Rear Fender ....	1	30	16317	Front Gusset- Main Chute, Cylinder Mount.....	1
	20844	Plate, FRT Mounting, Rear Fender, 150GL .....	1	31	20300	Pad, Rubber, 1/4 X 2" .....	1
	34575	Plate, FRT Mounting, Rear Fender, 200GL .....	1	32	23816	Mud Flap, W/ Bend, 18 1/8 IN.....	1
29	34442	Plate, Attachment, Rear Fender MNT, Horizontal.....	1	33	34865	Plate, Mud Flap Backing FRT RR MY14 .....	1
	20848	Plate, Support, MNTNG, Rear Fender, Vertical .....	1		34902	Plate, Mud Flap Backing FRT RR 150GL.....	1
	20849	Plate, Support, Fender Mounting Bracket.....	1		34903	Plate, Mud Flap Backing FRT RR 200GL.....	1
				34	35384	Bolt, HHCS, 3/8"-16 X 1- 1/4", SST ....	AR

WHEN ORDERING PARTS, SPECIFY MODEL NUMBER, SERIAL NUMBER AND DESCRIPTION OF PARTS REQUIRED

	<h2>REAR FENDERS MOUNTINGS</h2>	DATE: Released 01-2016	<b>GROUP</b>  <b>7</b>
		MODEL: FD	
		PAGE: 7.9	



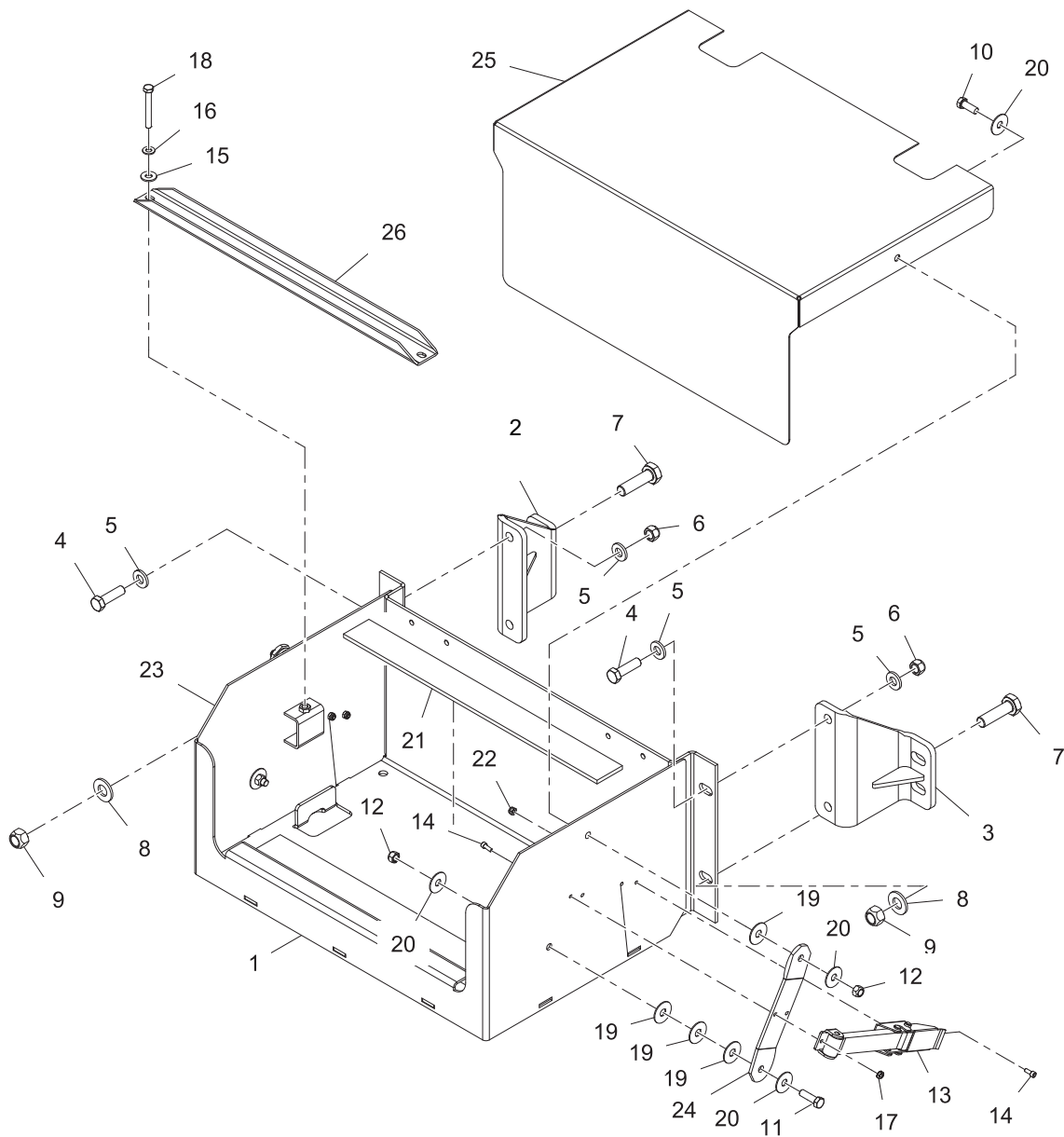
REF	PART NO.	DESCRIPTION	QTY	REF	PART NO.	DESCRIPTION	QTY
29834-35 Kit, Tag Axle Fenders							
1	29832	WDMT, Tube, Tag Fender, CBSD .....	1	12	19195	Bolt, HHCS, 3/8-16 X 3-1/2, GR8 .....	1
	29833	WDMT, Tube, Tag Fender, RDSD .....	1	13	19353	Nut, Lock, Top, 3/8"-16, ZP, GRC .....	9
2	30024	Fender, Tag Axle, Short.....	1	14	30129	Light, Clearance/Marker, LED, Red, 1 X 4 .....	2
3	29850	Plate, Cover, Tag Fender .....	1	15	40661	4" RND, LED, Stop/Tail/Turn Light .....	1
4	30034	U-Bolt, 3/8-16 X 5-5/8 W X 1.35 L.....	1	16	40663	4" Rubber Grommet .....	1
5	31126	BRKT, Tag Fender Support, RDSD ....	1	17*	23601	Plug, Fit 'N' Forget .....	1
	31127	BRKT, Tag Fender Support, CBSD ....	1	18*	30186	Harness, RDSD Tag FNDR, MRKR/STP/TRN .....	1
6	29851	Plate, Tag Axle Mud Flap .....	1		30187	Harness, CBSD Tag FNDR, MRKR/STP/TRN .....	1
7	11304	Mud Flap, Tag Fender .....	1	19	25128	Screw, PPHM, 10-24 X 3/4" .....	4
8	19109	Bolt, HHCS, 3/8"-16 X 1-1/2", PF, GR8 .....	5	20	19298	Nut, Insert, Nylon, 10-24, ZP .....	4
9	19148	Bolt, HHCS, 3/8"-16 X 3", PF, GR8 .....	1	21	30181	Rivet, Nylon, Push-in, 1/4" DIA X 3/16" .....	6
10	19045	Washer, Flat, 3/8", GR2 YZ .....	11				
11	24733	Spacer, Bridge Tag .....	1				

\* ITEMS 17 & 18 ARE NOT SHOWN IN THE ILLUSTRATION

WHEN ORDERING PARTS, SPECIFY MODEL NUMBER, SERIAL NUMBER AND DESCRIPTION OF PARTS REQUIRED

	<h2>TAG AXLE FENDERS</h2>	DATE: Released 01-2016	<b>GROUP</b>  <span style="font-size: 2em;"><b>7</b></span>
		MODEL: FD	
		PAGE: 7.10	

**OPTION ITEMS**

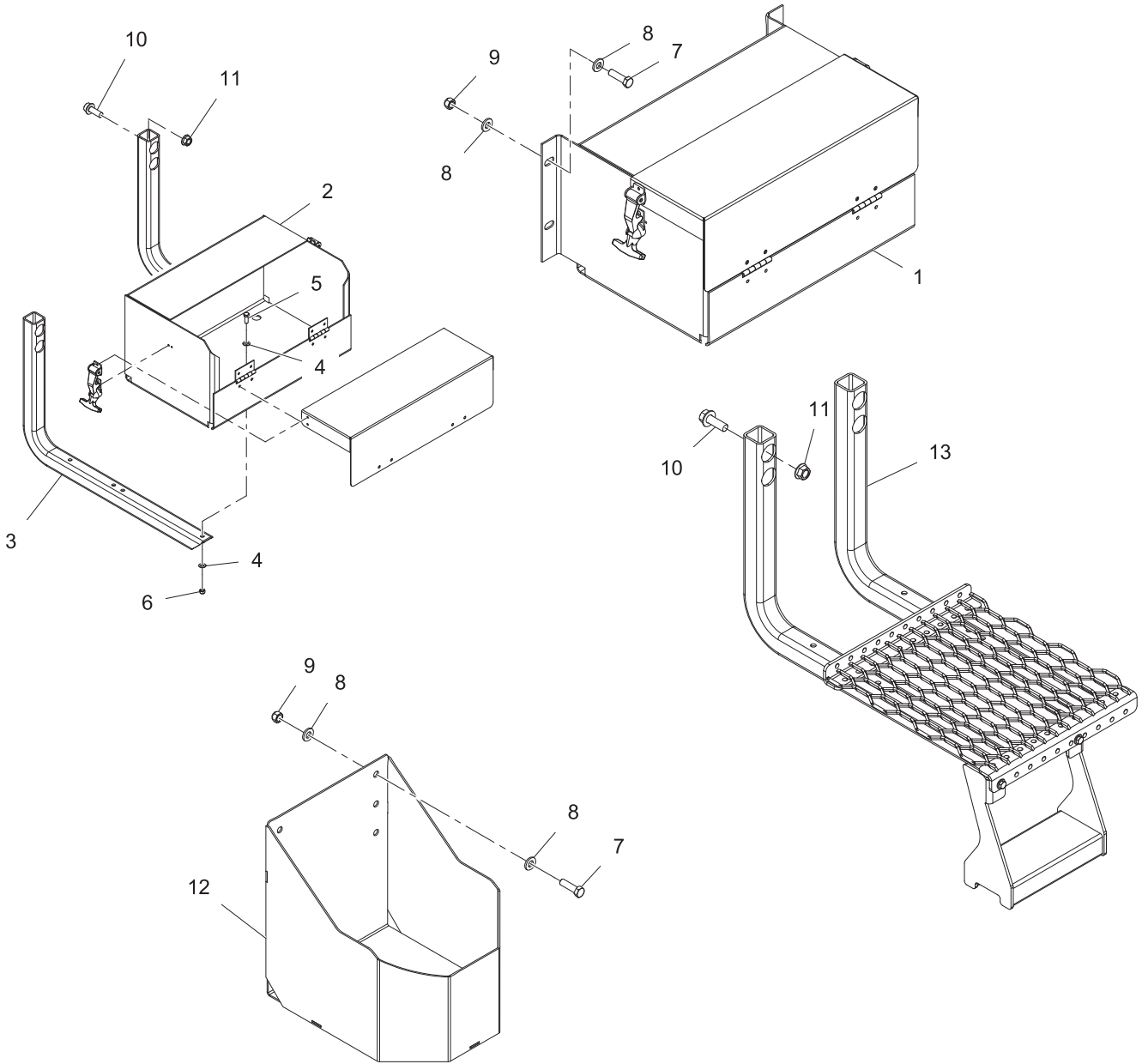


REF	PART NO.	DESCRIPTION	REF	PART NO.	DESCRIPTION	QTY
1	32528	ASSY, Battery Box	10	19105	Bolt, HHCS, 3/8-16 X 1", GR8	2
2	31415	WDMT, BRKT, Battery Box EXT, Tall, CBSD	11	19141	Bolt, HHCS, 3/8-16 X 1-1/4"	2
	31424	WDMT, BRKT, Battery Box EXT, Short, RDSB	12	19353	Nut, Auto Style, 3/8-16	4
3	31416	WDMT, BRKT, Battery Box EXT, Short, CBSB	13	13094	Latch, FLEX Draw	2
	31423	WDMT, BRKT, Battery Box EXT, Tall, RDSB	14	19038	Screw, SHCS, 10-32 X 1/2"	8
4	19114	Bolt, HHCS, 1/2-13 X 1-3/4, GR8	15	19048	Washer, Flat, 5/16"	2
5	19093	Washer, Flat, 1/2 A325	16	19049	Washer, Split Lock, 5/16	2
6	19354	Nut, Auto Style, 1/2-13, GRC (Lock)	17	19140	Nut, KEPS Star Lock, 10-32	4
7	19157	Bolt, HHCS, 5/8-11 X 2-1/4, GR8	18	19183	Bolt, HHCS, 5/16-1/2-1/2"	2
8	19086	Washer, Flat, 5/8 A325	19	19308	Washer, Flat, 3/8" PVC	7
9	19351	Nut, Auto-Style, 5/8-11, GRC	20	19315	Washer, Fender, 3/8 X 1-1/4"	9
			21	26978	Belting, 1/4 X 2 X 20"	2
			22	32009	Nut, NYLOCK, 10-32	4
			23	32523	WDMT, Battery Box	1
			24	32525	Plate, Battery Box, Pivot	2
			25	32526	Plate, Battery Box Lid	1
			26	32534	Bar, Battery Hold-Down	1

WHEN ORDERING PARTS, SPECIFY MODEL NUMBER, SERIAL NUMBER AND DESCRIPTION OF PARTS REQUIRED

	<h2>BATTERY BOX</h2>	DATE: Released 01-2016	<b>GROUP</b>  <b>8</b>
		MODEL: FD	
		PAGE: 8.1	

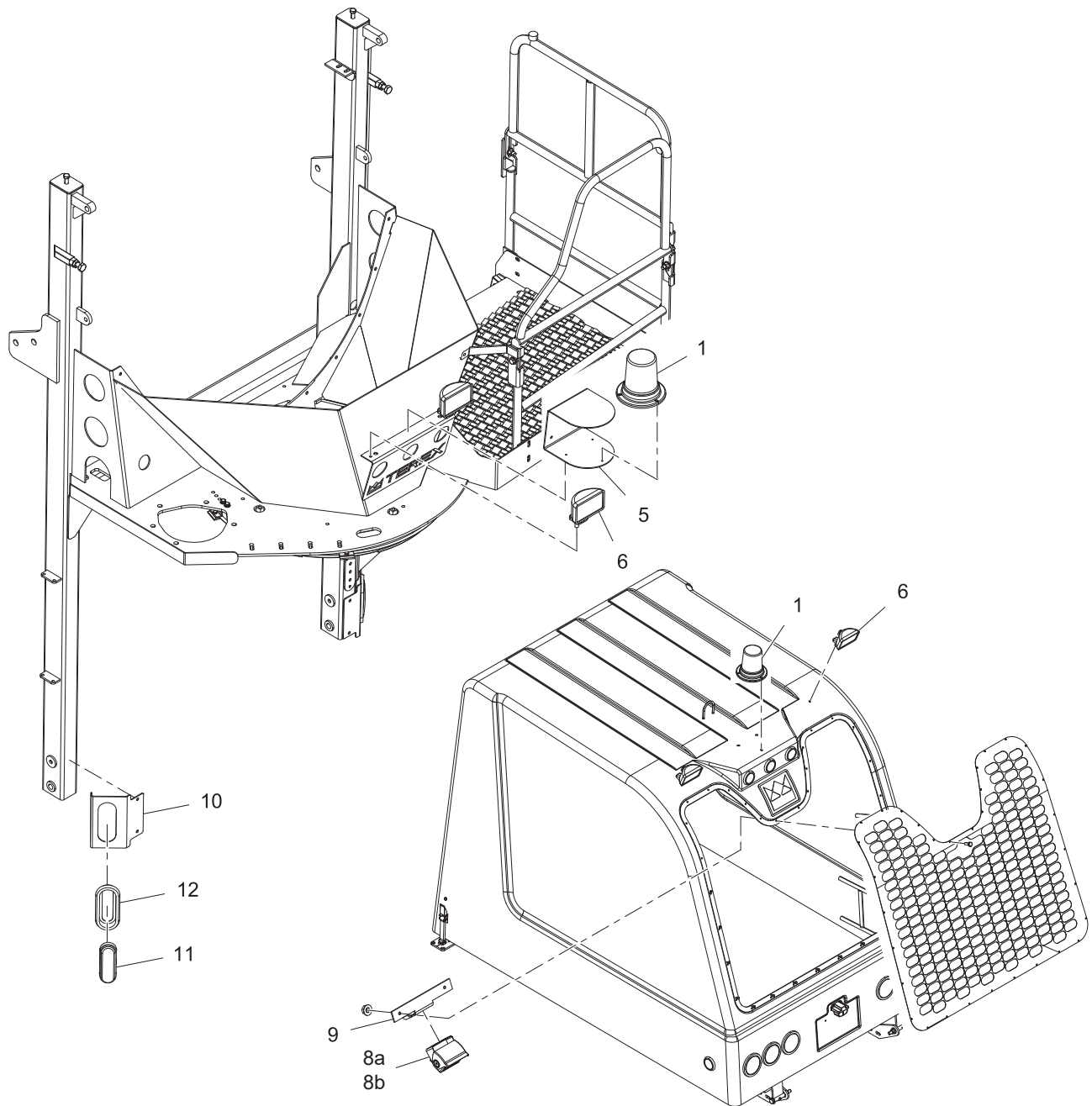




REF	PART NO.	DESCRIPTION	REF	PART NO.	DESCRIPTION
1	23750	Box, Tool, 26", STL	5	19105	Bolt, HHCS, 3/8" X 1", PF, GR8
	23719	Box, Tool, 45" STL	6	19353	Nut, Auto Style, 3/8-16, GRC
	31396	Box, Tool, 45" AL	7	19114	Bolt, HHCS, 1/2-13 X 1-3/4, GR8
	11375	Box, Tool, 54", STL	8	19093	Washer, Flat, 1/2 A325
2	33980	Box, Tool, 12" X 15.5", AL	9	19354	Nut, Auto Style, 1/2-13, GRC
	18070	Box, Tool, 18" X 18" X 20", AL	10	14465	Bolt, Flange, 5/8-18 X 1-3/4", PO, GR8
	18073	Box, Tool, 18" X 18" X 24", AL	11	14461	Nut, Lock, Flange, 5/8-18, GR8
	18071	Box, Tool, 18" X 18" X 32", AL	12	33685	WDMT, Bucket Holder
3	31392	BRKT, Chute Carrier, 2008	13	34198	ASSY, Access Step, 16", W/ Step
4	19045	Washer, Flat, 3/8", GR8 YZ			

WHEN ORDERING PARTS, SPECIFY MODEL NUMBER, SERIAL NUMBER AND DESCRIPTION OF PARTS REQUIRED

	<b>TOOL BOX, BUCKET HOLDER, ACCESS STEP</b>	DATE: Released 01-2016	<b>GROUP 8</b>
		MODEL: FD	
		PAGE: 8.2	

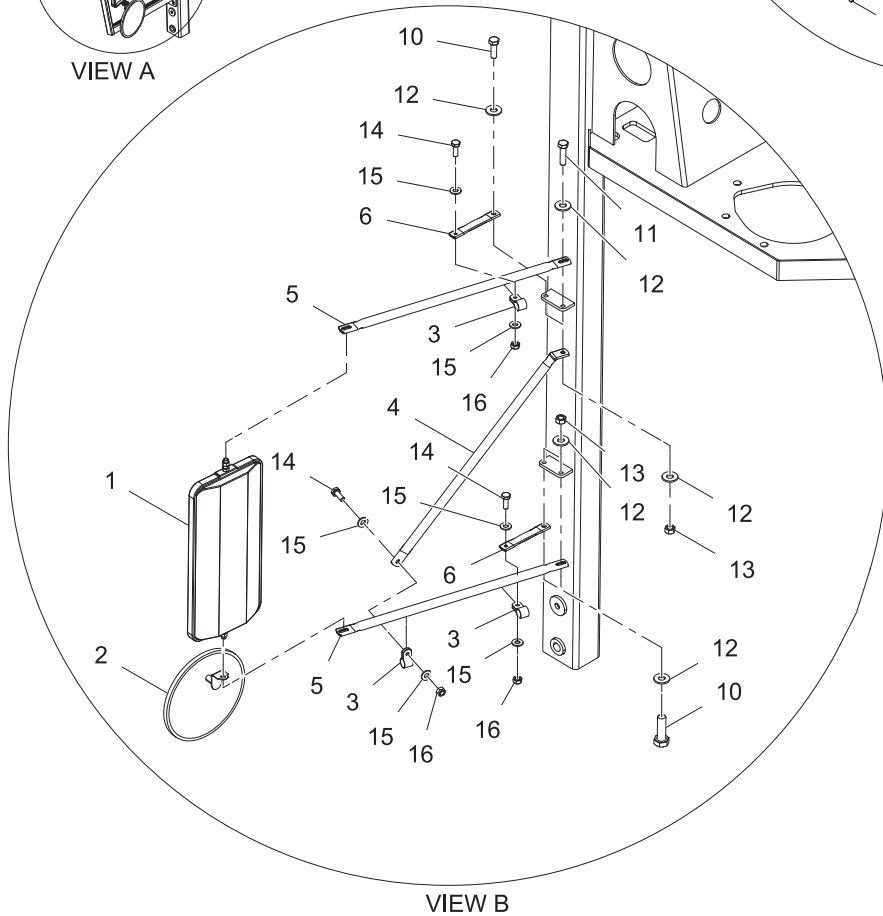
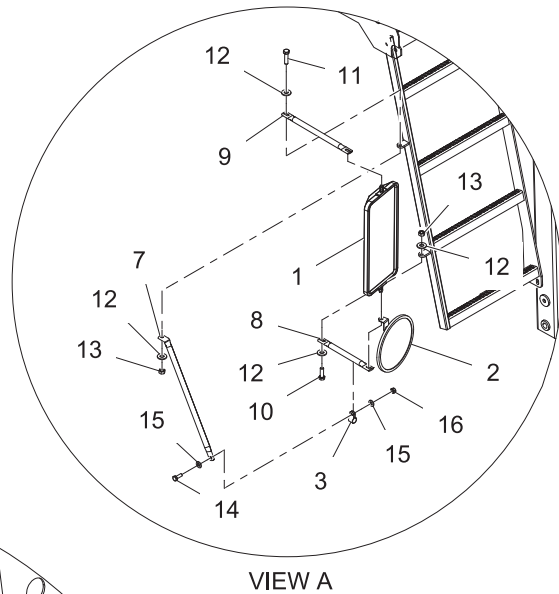
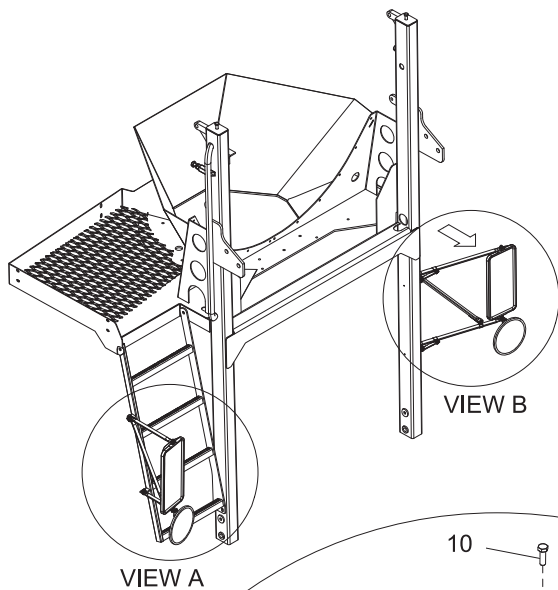


REF	PART NO.	DESCRIPTION	REF	PART NO.	DESCRIPTION
	32516	ASSY, Class 1 Strobe Light INSTL			Rear View Camera Systems
1	32390	Light, Strobe, LED, Class 1	8	30271	7" Color SYS W/Cable (Current Issue)
2*	28880	Harness, Strobe, Front		30729	Camera, Color, W/ ACC. (Aftermarket)
3*	28664	Harness, Strobe, Rear / Hood	9	30150	BRKT, Camera Mounting
4*	28043	Switch, Strobe Light		34024	Kit, Front Flashers
5	35251	Bracket, Strobe Light MTG, Front	10	33876	Bracket, Turn/Strobe, Auxiliary
	30121	Bracket, Guard, Strobe Light	11	23596	Light, LED, Park/Turn, Amber, Oval
		Work Lights	12	13773	Grommet, Light Mount, Truck Light
6	23212	Light, Flood, Top Mount	13*	23601	Plug, Fit 'N' Forget Pigtail For Light
7*	28664	Harness, Hood Strobe / Work Light	14*	31551	Flasher, 6 AMP, Solid State

\* ITEMS 2, 3, 4, 7, 13 & 14 ARE NOT SHOWN IN THE ILLUSTRATION

WHEN ORDERING PARTS, SPECIFY MODEL NUMBER, SERIAL NUMBER AND DESCRIPTION OF PARTS REQUIRED

	<h2>CAMERA / LIGHTING OPTIONS</h2>	DATE: Released 01-2016	<b>GROUP</b>  <b>8</b>
		MODEL: FD	
		PAGE: 8.3	

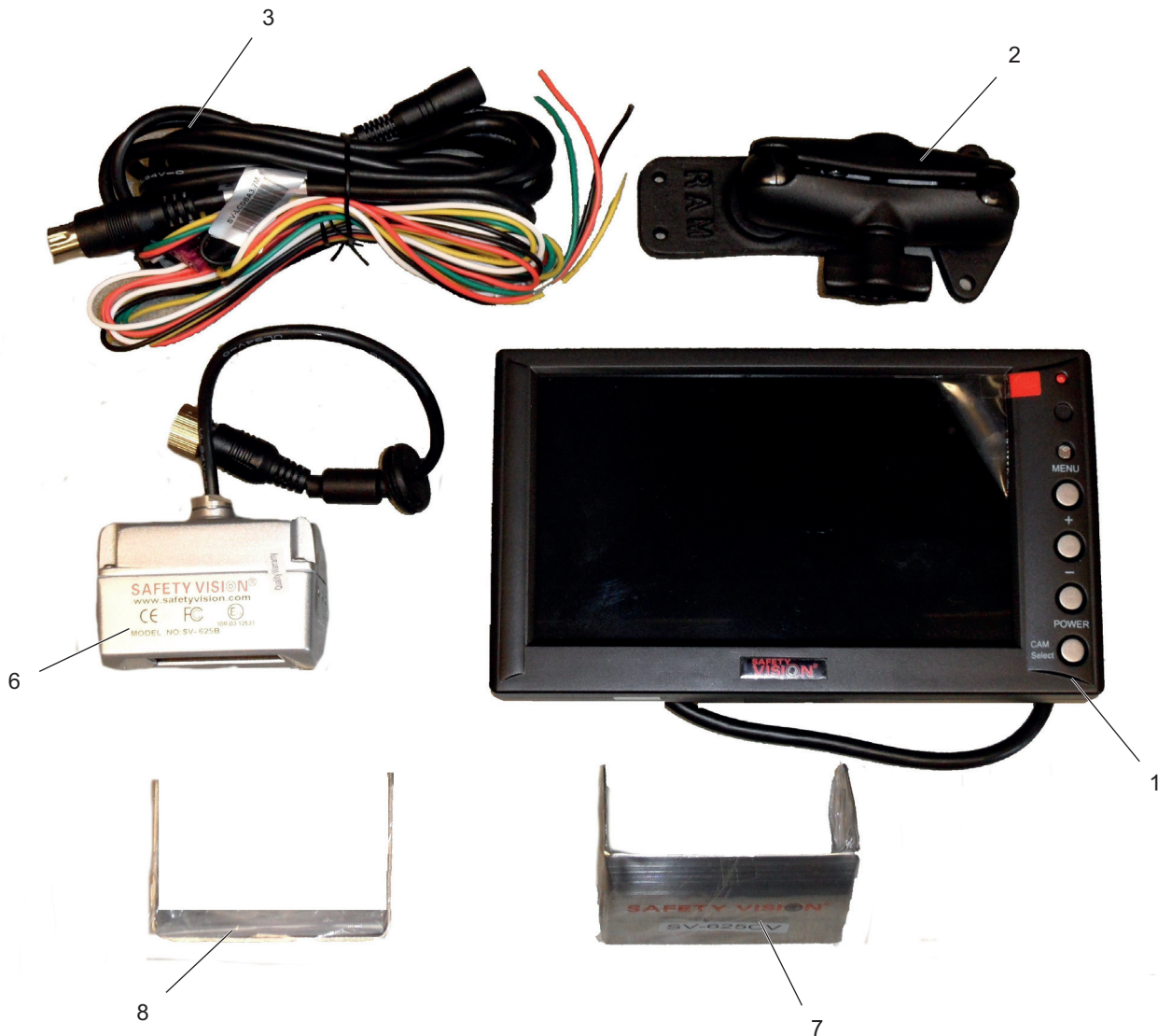


REF	PART NO.	DESCRIPTION	QTY	REF	PART NO.	DESCRIPTION	QTY
1	11522	Mirror, Heated, 7 X 16.....	2	8	11333	Bracket, Mirror, Lower, LH, 9.50" .....	1
	12363	Mirror, Stainless STL, 7 X 16 .....	2	9	11336	Bracket, Mirror, Arm EXT 12.50" .....	1
2	29179	Mirror, Convez, 8.5", SS, Offset.....	2	10	15055	Bolt, HHCS, 5/16-18 X 1", GR8 .....	4
3	17709	Clamp, Mirror Bracket.....	4	11	15057	Bolt, HHCS, 5/16-18 X 1 1/4", GR8 ....	2
4	11330	Brace, MIR Bracket, DIAG RH, 23.25".....	1	12	19048	Washer, Flat, 5/16 GR2 Z/P .....	12
5	11332	Bracket, Mirror, Top, RH .....	2	13	19014	Nut, HEX, 5/16-18, GR2 .....	6
6	11337	Bracket, Mirror, Short CBSD, 5.13".....	2	14	19126	Bolt, HHCS, 1/4-20 X 3/4, GR8.....	4
7	11331	Brace, MIR Bracket, DIAG, LH, 19.25".....	1	15	19053	Washer, Flat, 1/4 GR2 Z/P .....	8
				16	19352	Nut, Auto Style, 1/4-20, GR2 .....	4

WHEN ORDERING PARTS, SPECIFY MODEL NUMBER, SERIAL NUMBER AND DESCRIPTION OF PARTS REQUIRED

	<h2>MIRRORS</h2>	DATE: Released 01-2016	<b>GROUP</b>  <span style="font-size: 2em;"><b>8</b></span>
		MODEL: FD	
		PAGE: 8.4	

**OPTION ITEMS**



REF	PART NO.	SUPPLIER NO.	DESCRIPTION	REF	PART NO.	SUPPLIER NO.	DESCRIPTION
	30271		Complete Safety Vision Backup Camera System				
1	30732	SV-LCD70BA	7" Monitor	5*	30729	SV-625B-KIT	Kit, Camera (Includes Items 6, 7 & 8)
2		SV-LCD-RM1.0-4	Monitor Mount				
3		SV-LCDBA3.7M	In-Cab Cable	6		SV-LCDBBBRKY	Camera
4*	30731	SVS-20MMF	In-Chassis Cable (65 FT)	7		SV-62CV	Camera Shroud
				8		SV-625BKT	Mounting Bracket

\* ITEMS 4 & 5 ARE NOT SHOWN IN THE ILLUSTRATION

WHEN ORDERING PARTS, SPECIFY MODEL NUMBER, SERIAL NUMBER AND DESCRIPTION OF PARTS REQUIRED

	<p align="center"><b>CAMERA SYSTEM SAFETY VISION</b></p>	DATE: Released 01-2016	<p align="center"><b>GROUP 8</b></p>
		MODEL: FD	
		PAGE: 8.5	



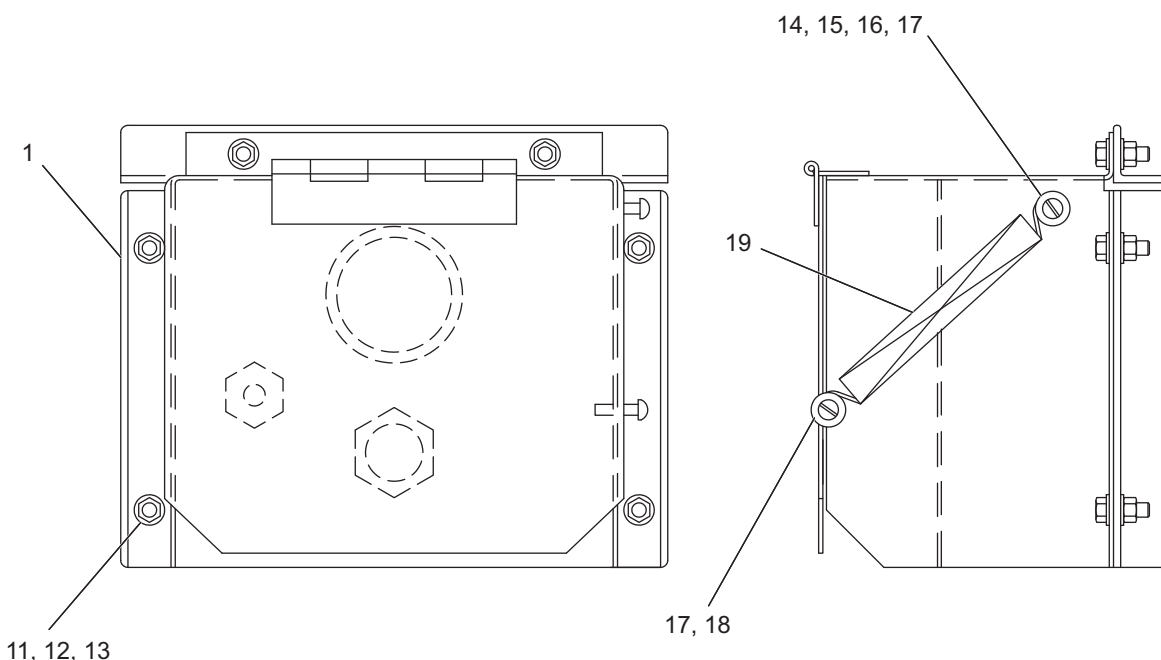
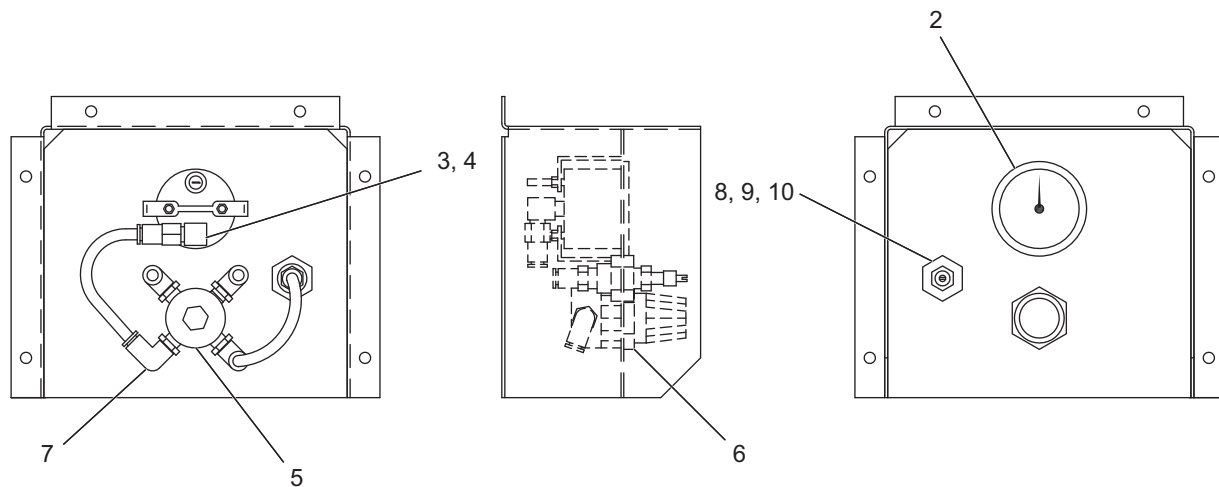
<u>REF</u>	<u>PART NO.</u>	<u>SUPPLIER NO.</u>	<u>DESCRIPTION</u>	<u>REF</u>	<u>PART NO.</u>	<u>SUPPLIER NO.</u>	<u>DESCRIPTION</u>
	33712		<i>Complete Brigade Backup Camera System</i>				
1	VBV-770M		Monitor Kit	5	VBV-791C		Camera Kit (Camera, Mount & Shroud)
2	VBV-770M-SS		Monitor Screen Sun Shield	6*	VBV-L412		In-Chassis Cable (65 FT)
3	VBV-7XOMA-CA		Monitor Adapter Cable	7	VBV-L405		In-Cab Cable
4	SV-LCD-RM1.0-4		Monitor Mount				

\* ITEM 6 IS NOT SHOWN IN THE ILLUSTRATION

WHEN ORDERING PARTS, SPECIFY MODEL NUMBER, SERIAL NUMBER AND DESCRIPTION OF PARTS REQUIRED

	<b>CAMERA SYSTEM BRIGADE</b>	DATE: Released 01-2016	<b>GROUP 8</b>
		MODEL: FD	
		PAGE: 8.6	



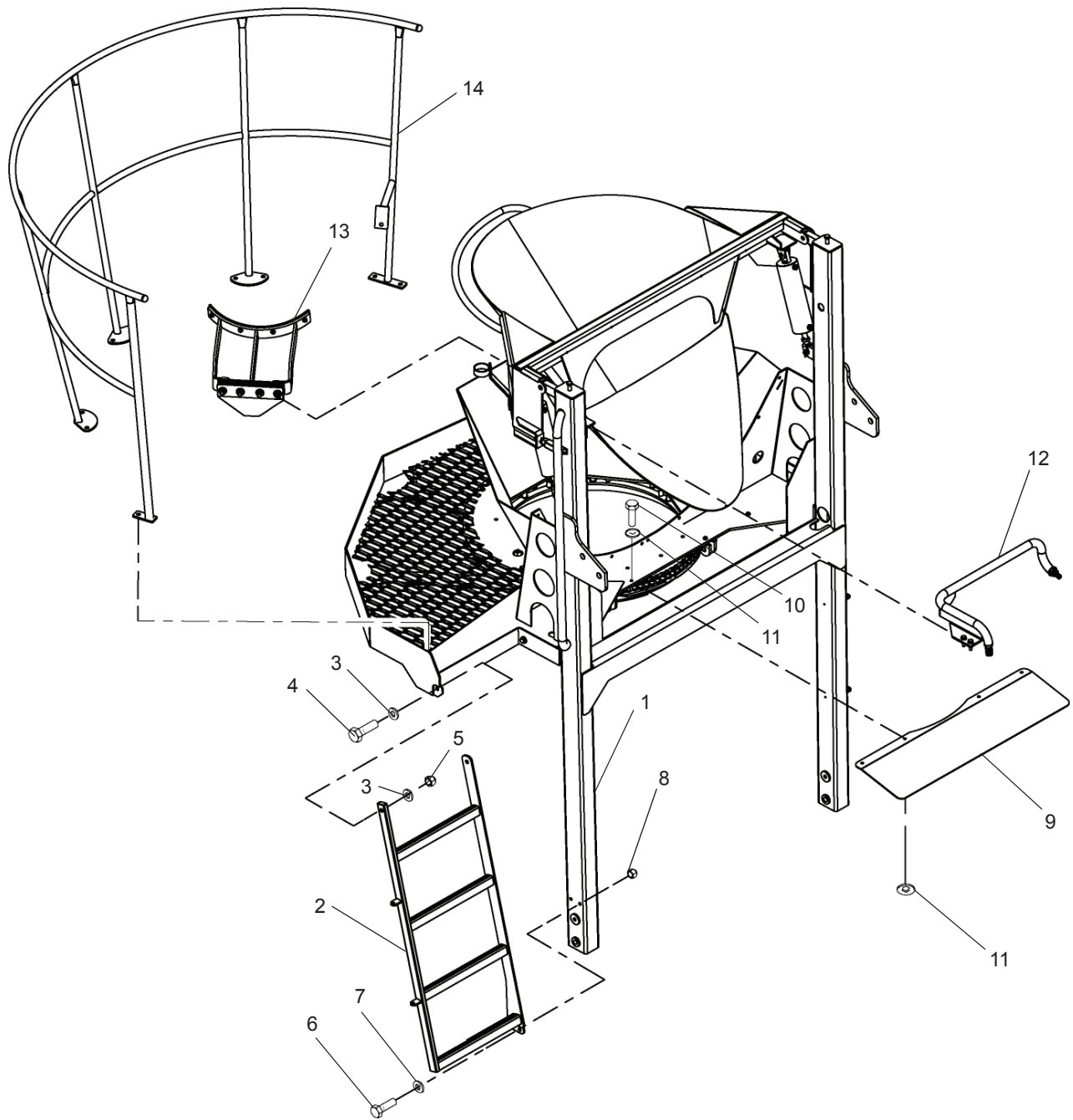


REF	PART NO.	DESCRIPTION	QTY	REF	PART NO.	DESCRIPTION	QTY
	43167	ASSY, Pusher Air Control Box Maryland Portable					
1	32047	WDMT, Cover, EXT Lift CNTL PNL, 1VLV.....	1	9	17656	FTG, Bulkhead, 1/4NTP X 1/4NTP .....	1
2	11490	Gauge, Air Pressure.....	1	10	29292	FTG, PTC, 1/4NTP X 1/4" Tube .....	1
3	28734	FTG, 1/8NTP Female X 1/4" Tube, PTC .....	1	11	19126	Bolt, HHCS, 1/4-20 X 3/4, GR8.....	6
4	13041	FTG, ST EL, 1/8FTP X 1/8NTP .....	1	12	19352	Nut, Auto Style, 1/4-20, GR2 .....	6
5	13578	Regulator, Air, 0-125 PSI.....	1	13	19053	Washer, Flat, 1/4 GR2 ZP .....	12
6	13572	Nut, Air Regulator.....	1	14	32009	Nut, NYLOCK, 10-32, ZP .....	1
7	28090	FTG, EL, Push To CONN, 1/8NPT X 1/4" .....	4	15	32010	SHCS, 10-32 X 5/8", ZP.....	1
8	34070	Valve, SCHRADER, X 1/4" NTP.....	1	16	19138	Nut, KEPS, 10-32, GR2, BLK .....	1
				17	19055	Washer, Flat, #10, ZP .....	4
				18	19226	Screw, PPHM, 10-32 X 3/4", ZP .....	1
				19	13954	Spring, Throttle Return.....	1

WHEN ORDERING PARTS, SPECIFY MODEL NUMBER, SERIAL NUMBER AND DESCRIPTION OF PARTS REQUIRED

	<h2>PUSHER AIR CONTROL BOX</h2>	DATE: Released 01-2016	<b>GROUP</b>  <b>8</b>
		MODEL: FD	
		PAGE: 8.7	

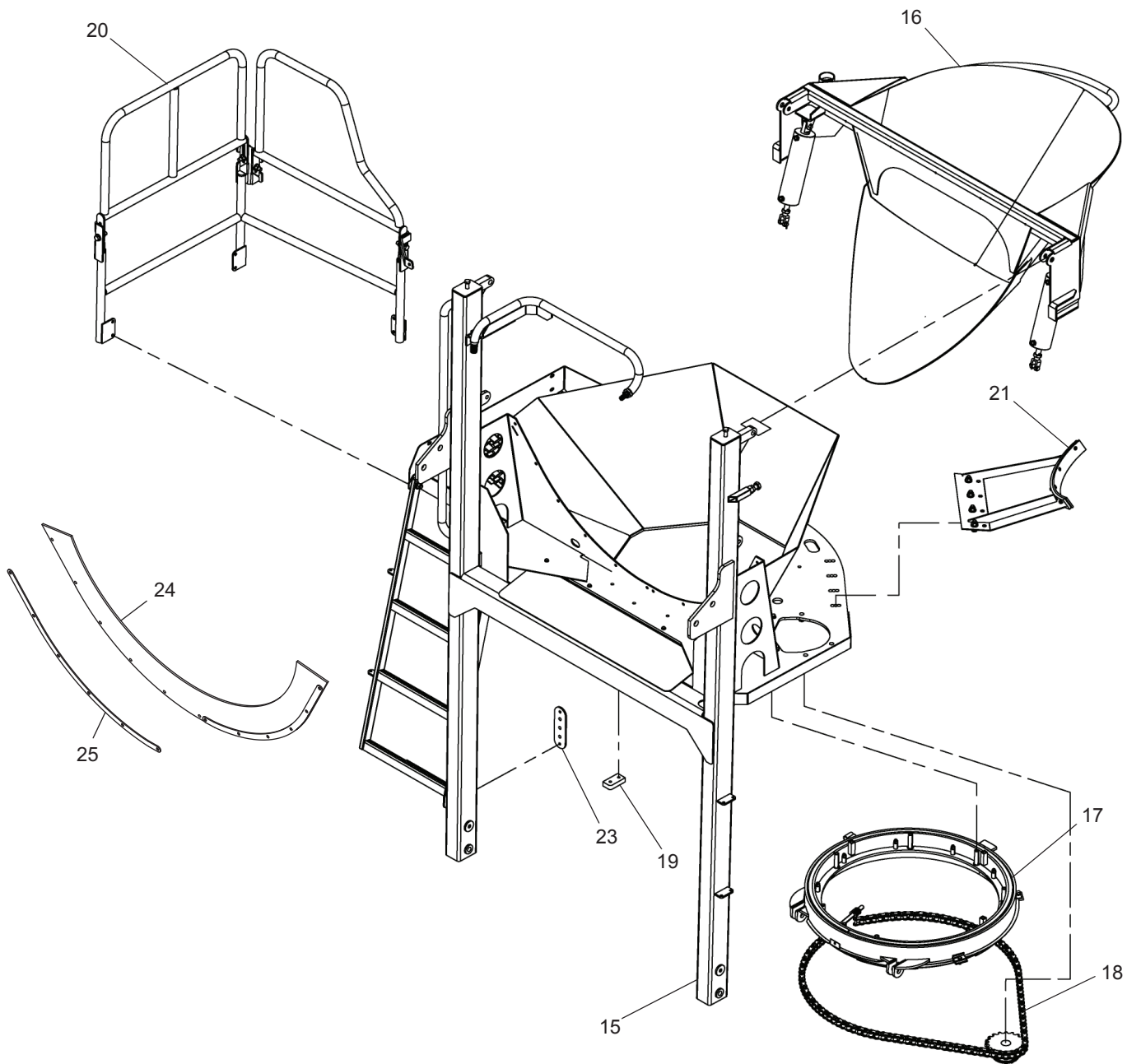
**UPRIGHTS**



REF	PART NO.	DESCRIPTION	QTY	REF	PART NO.	DESCRIPTION	QTY
1	33655	WDMT, Upright, STD Cab, Full Wrap	1	9	33385	Guard, Upright Cab Shield, 2013	1
	33871	WDMT, Upright, WRKSPC, Cab Full Wrap	1	10	19029	Bolt, HHCS, 1/4"-20 X 1", SS	4
2	33375	WDMT, Upright Ladder, 2013	1	11	19053	Washer, Flat, 1/4 GR2 Z/P	8
3	19093	Washer, Flat, 1/2 A325	4	12	33541	ASSY, Barrel Water Injection Tube	1
4	19114	Bolt, HHCS, 1/2"-13 X 1-3/4", PF, GR8	2	13	34507	ASSY, HYD Chute Rest, Bolt-On, STD	1
5	19354	Nut, Auto Style, 1/2-13, GRC	2		34527	ASSY, HYD Chute Rest, Bolt-On, PAVER	1
6	19105	Bolt, HHCS, 3/8-16 X 1, GR8	2	14	33670	WDMT, Handrail, Full Wrap, Manual, MY13	1
7	19045	Washer, Flat, 3/8", GR8	2		33671	WDMT, Handrail, Full Wrap, HYDRLC, MY13	1
8	19353	Nut, Lock, Top, 3/8"-16, ZP, GRC	2				

WHEN ORDERING PARTS, SPECIFY MODEL NUMBER, SERIAL NUMBER AND DESCRIPTION OF PARTS REQUIRED

	<h2>UPRIGHT ASSEMBLY</h2>	DATE: Released 01-2016	<b>GROUP</b>  <span style="font-size: 2em;"><b>9</b></span>
		MODEL: FD	
		PAGE: 9.1	



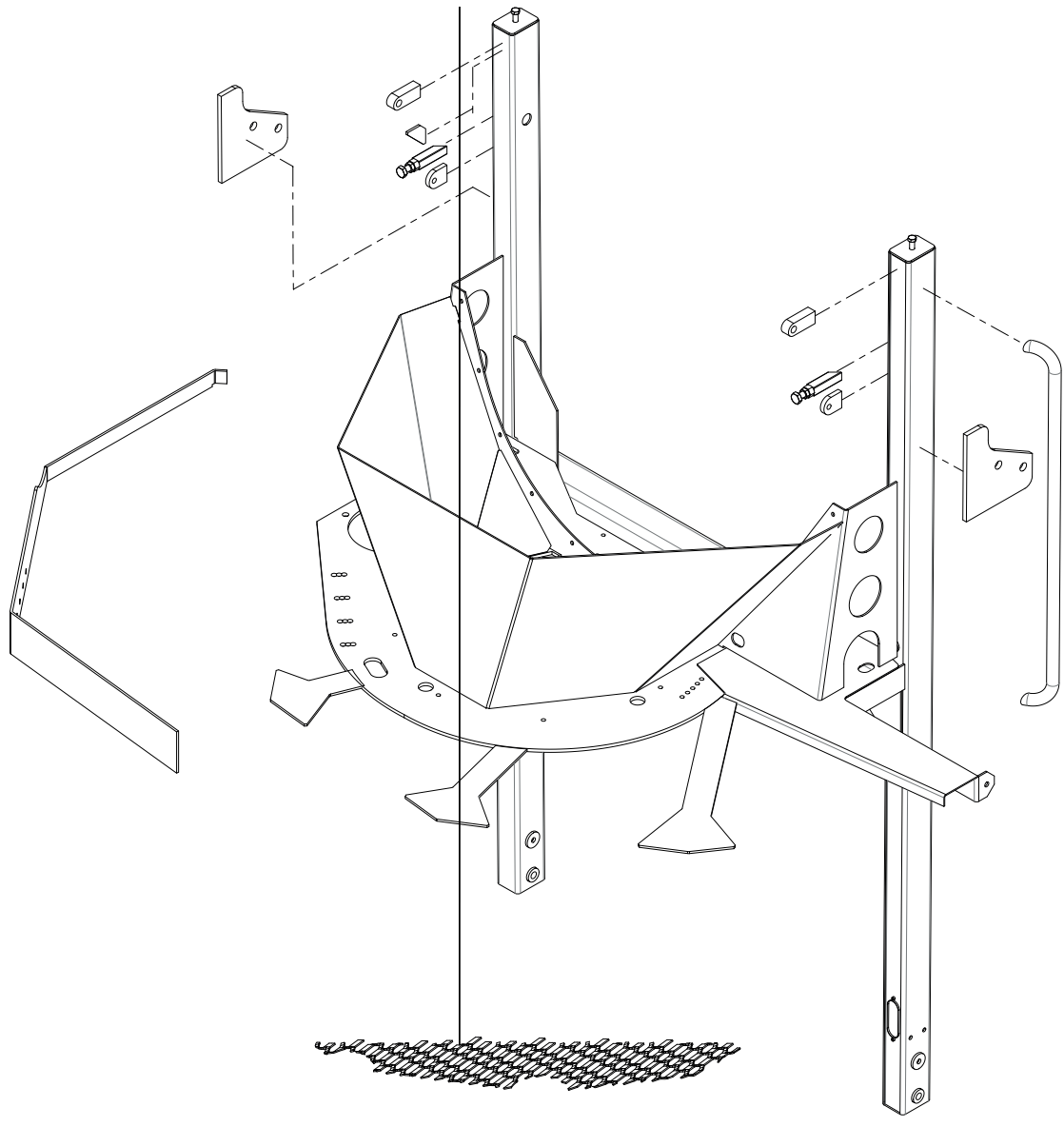
REF	PART NO.	DESCRIPTION	QTY	REF	PART NO.	DESCRIPTION	QTY
15	33372 33851	WDMT, Upright, STD Cab, 2013 ..... 1 WDMT, Upright, WRKSPC, Tilt-Down ..... 1	1	21	34299	ASSY, HYD Chute Saddle, Bolt On, STD ..... 1	1
16	31630	ASSY, Charge Hopper, Air Lift ..... 1	1		34300	ASSY, HYD Chute Saddle, Bolt-On, PAVER ..... 1	1
17	32253	ASSY, Main Chute Race, 2010 ..... 1	1	22*		Screw, 5/16-18, Self-Tapping ..... 2	2
18	33636	ASSY, Chute Swing, 19T SPRKT ..... 1	1	23	34607	Plate, Grease Zerk MTG ..... 1	1
19	32280	Plate, Rotation Stop Block ..... 2	2	24	30279	Wiper, 46" Drum Wiper ..... 1	1
20	33586	ASSY, Catwalk Railing, Fold-Down, MY12 ..... 1	1	25	30237	Strap, Yoke, 46" Retainer ..... 2	2
				26*	29374	Boot, Main Chute, One Piece ..... 1	1
				27*	12649	Clamp, Chute Boot ..... 1	1

\* ITEMS 22, 26 & 27 ARE NOT SHOWN IN THE ILLUSTRATION

WHEN ORDERING PARTS, SPECIFY MODEL NUMBER, SERIAL NUMBER AND DESCRIPTION OF PARTS REQUIRED

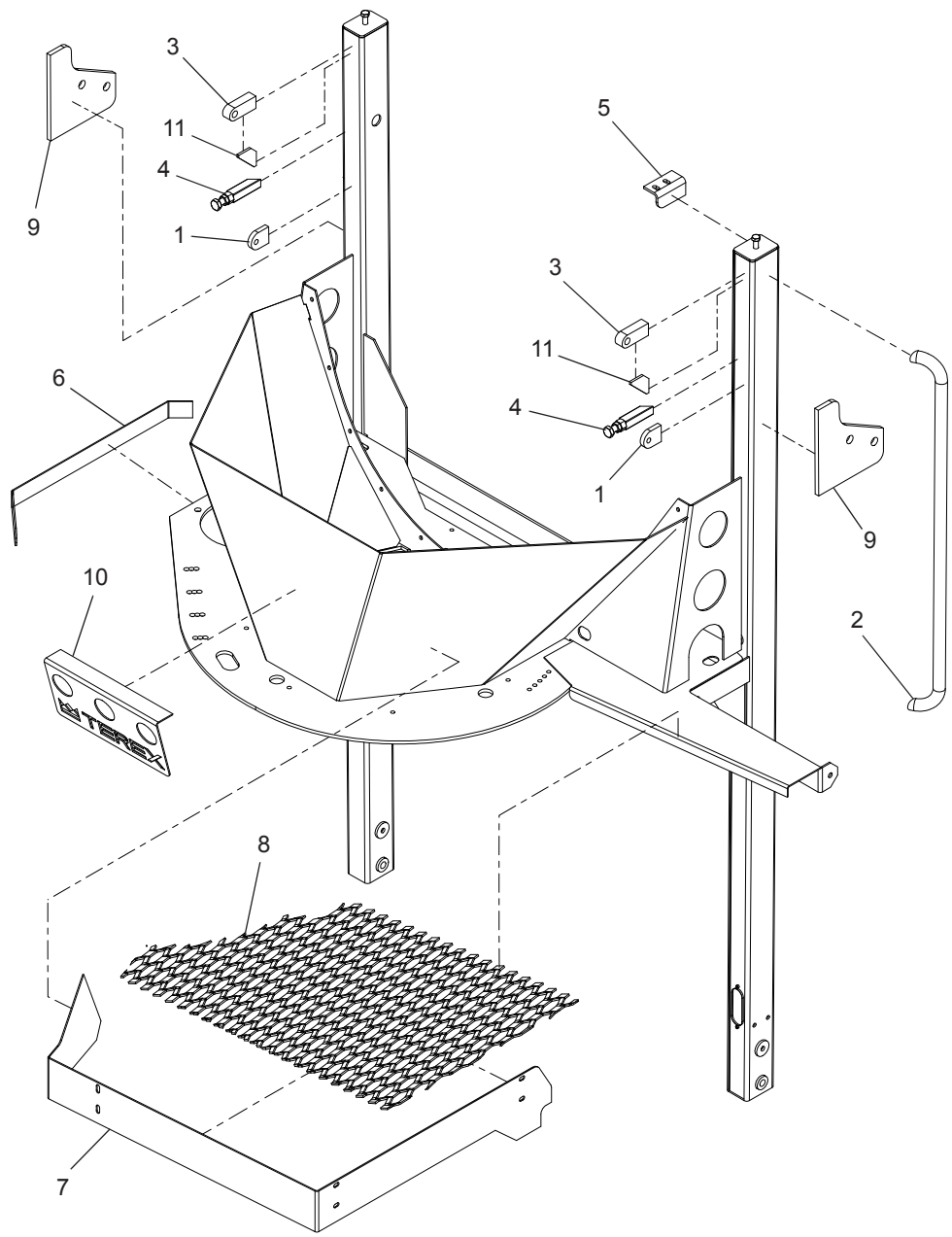
	<h2>UPRIGHT ASSEMBLY</h2>	DATE: Released 01-2016	<b>GROUP</b>  <h1>9</h1>
		MODEL: FD	
		PAGE: 9.2	

UPRIGHTS



WHEN ORDERING PARTS, SPECIFY MODEL NUMBER, SERIAL NUMBER AND DESCRIPTION OF PARTS REQUIRED

	DATE:	GROUP <b>9</b>
	MODEL: FD	
	PAGE: 9.3	



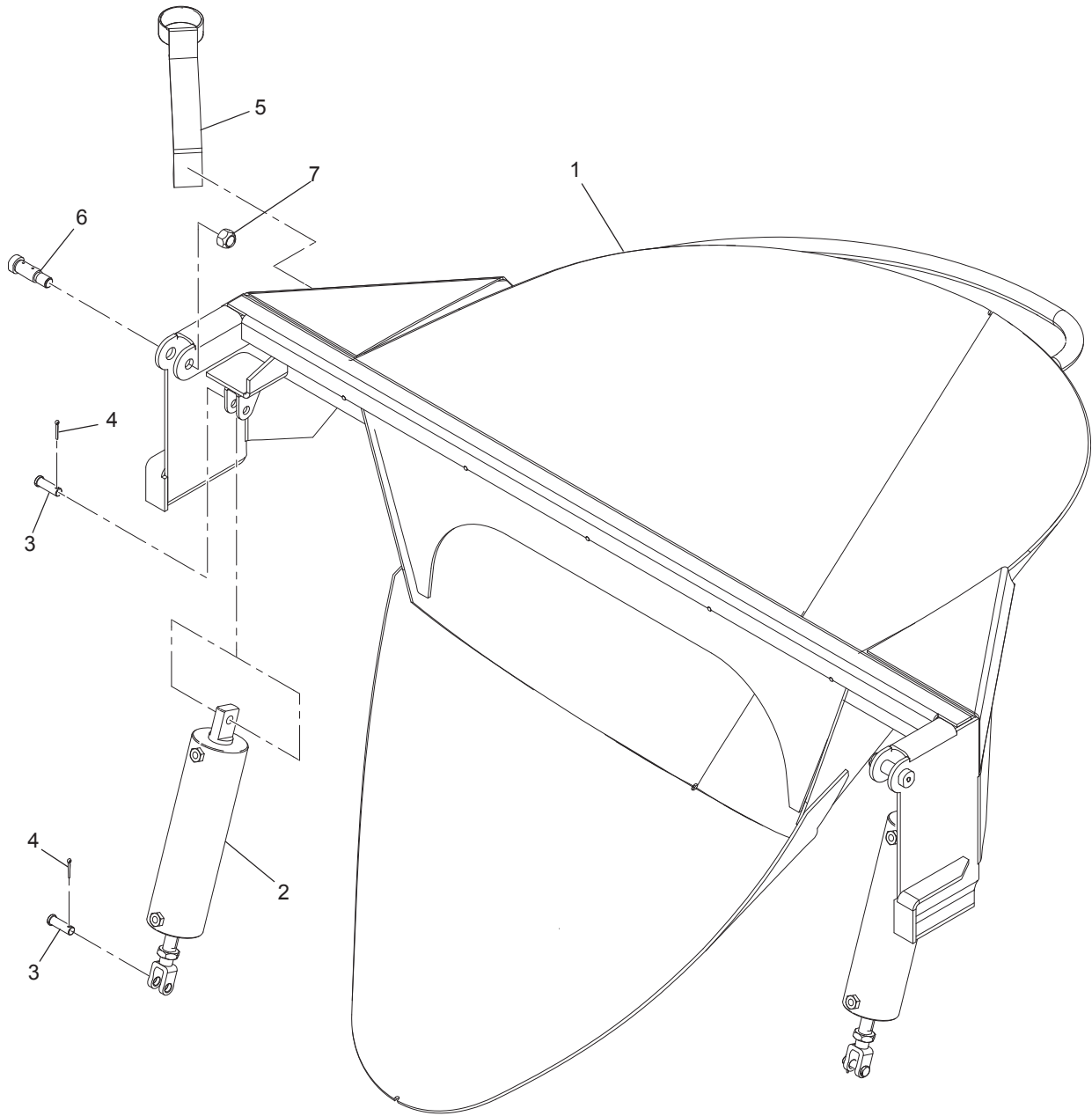
REF	PART NO.	DESCRIPTION	QTY	REF	PART NO.	DESCRIPTION	QTY
	33372	WDMT, Upright, STD Cab, 2013					
	33851	WDMT, Upright, WRKSPC, Cab, Tilt-Down					
1	23835	Base, Pivot, Air Cylinder	2	7	33383	Strap, Upright Catwalk Wrap, 2013	1
2	24077	Tube, Upright, Grab Handle	1	8	33386	Catwalk, Upright, STD Cab, 2013	1
3	24078	Block, Pivot, Charge Hopper	2	9	33442	Plate, Upright Support Gusset, 2013	2
4	24084	WDMT, Stop, Charge Hopper	2	10	33447	Bracket, Marker Light, 3-Hole, 2013	1
5	24234	BRKT, Angle, Water Tube Charge Hopper	1	11	34879	Gusset, Hopper Pivot Block	2
6	32080	Plate, Chain Guard, Tilt Down Upright	1				

WHEN ORDERING PARTS, SPECIFY MODEL NUMBER, SERIAL NUMBER AND DESCRIPTION OF PARTS REQUIRED

	<b>UPRIGHT W/TILT-DOWN HANDRAIL</b>	DATE: Released 01-2016	<b>GROUP 9</b>
		MODEL: FD	
		PAGE: 9.4	



**UPRIGHTS**

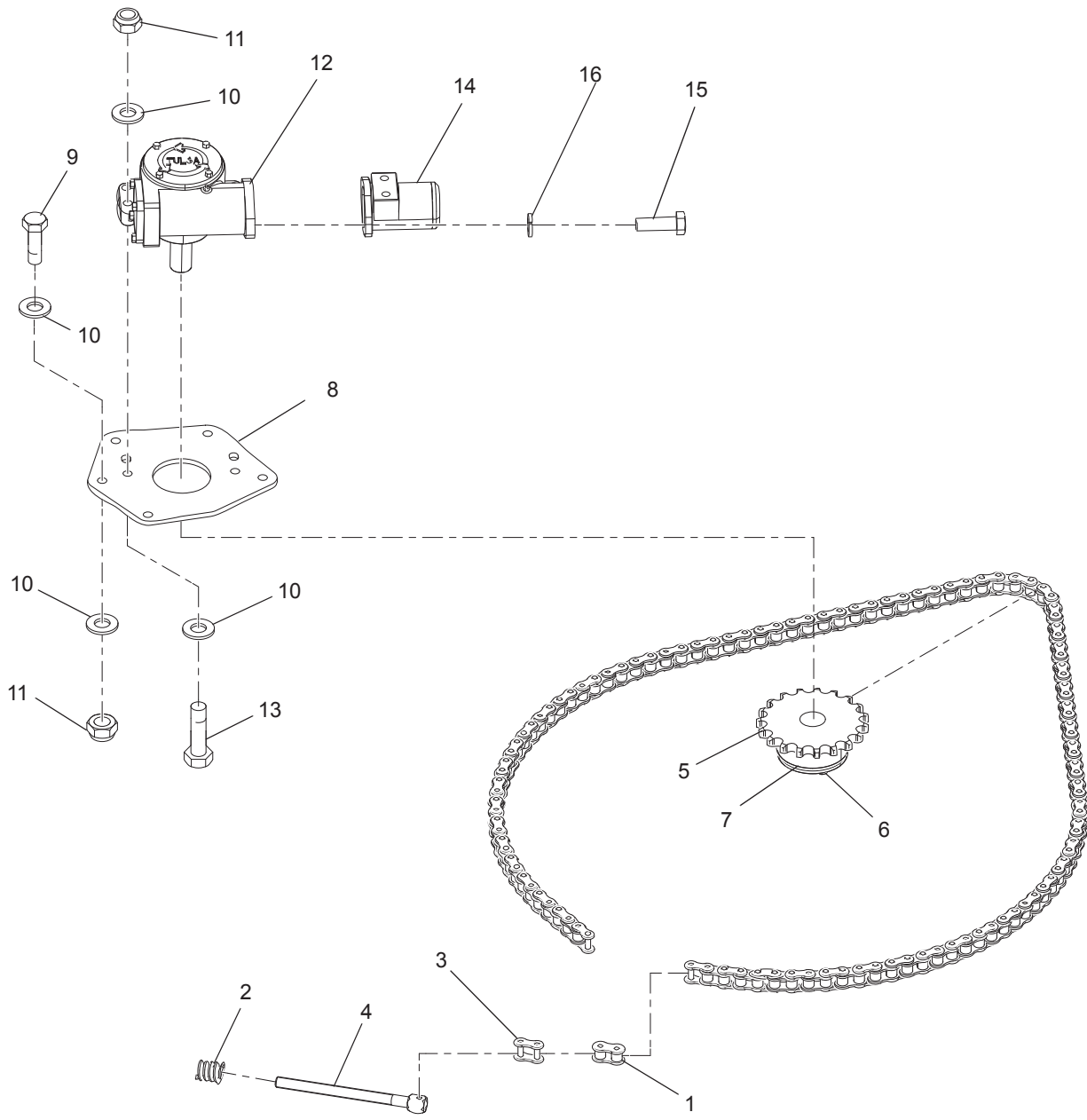


REF	PART NO.	DESCRIPTION	QTY	REF	PART NO.	DESCRIPTION	QTY
	31630	Charge Hopper Assembly					
1	24139	WDMT, Charge Hopper .....	1	7	19351	Nut, Lock Top 5/8"-11, ZP GRC .....	2
2	35536	Cylinder, Air Flip Hopper, 3" Bore .....	2	8*	13079	FTG, Branch T, Male, 1/4" NPT X 1/8" FPT .....	2
	24061	Cylinder, Air Flip Hopper, 3" Bore .....	2				
3	19205	Pin, Clevis, 1/2" X 1-1/2" .....	4	9*	11792	FTG, AB, 90° M EL, 1/4" TOD X 1/4" NPT .....	4
4	19060	Pin, Cotter, 1/8" X 1", GR2 .....	4				
5	24350	WDMT, Wash Down Hose BRKT .....	1	10*	15347	Tubing, Air, 1/4 IN OD, SYN FLEX .....	14FT
6	21729	Bolt, Shoulder 3/4 X 1-1/2, Greasable .....	2	11*	18997	Loom, PLS-1/2 .....	7FT

\* ITEMS 8 TO 11 ARE NOT SHOWN IN THE ILLUSTRATION

WHEN ORDERING PARTS, SPECIFY MODEL NUMBER, SERIAL NUMBER AND DESCRIPTION OF PARTS REQUIRED

	<h2>CHARGE HOPPER</h2>	DATE: Released 01-2016	<b>GROUP</b>  <b>9</b>
		MODEL: FD	
		PAGE: 9.5	



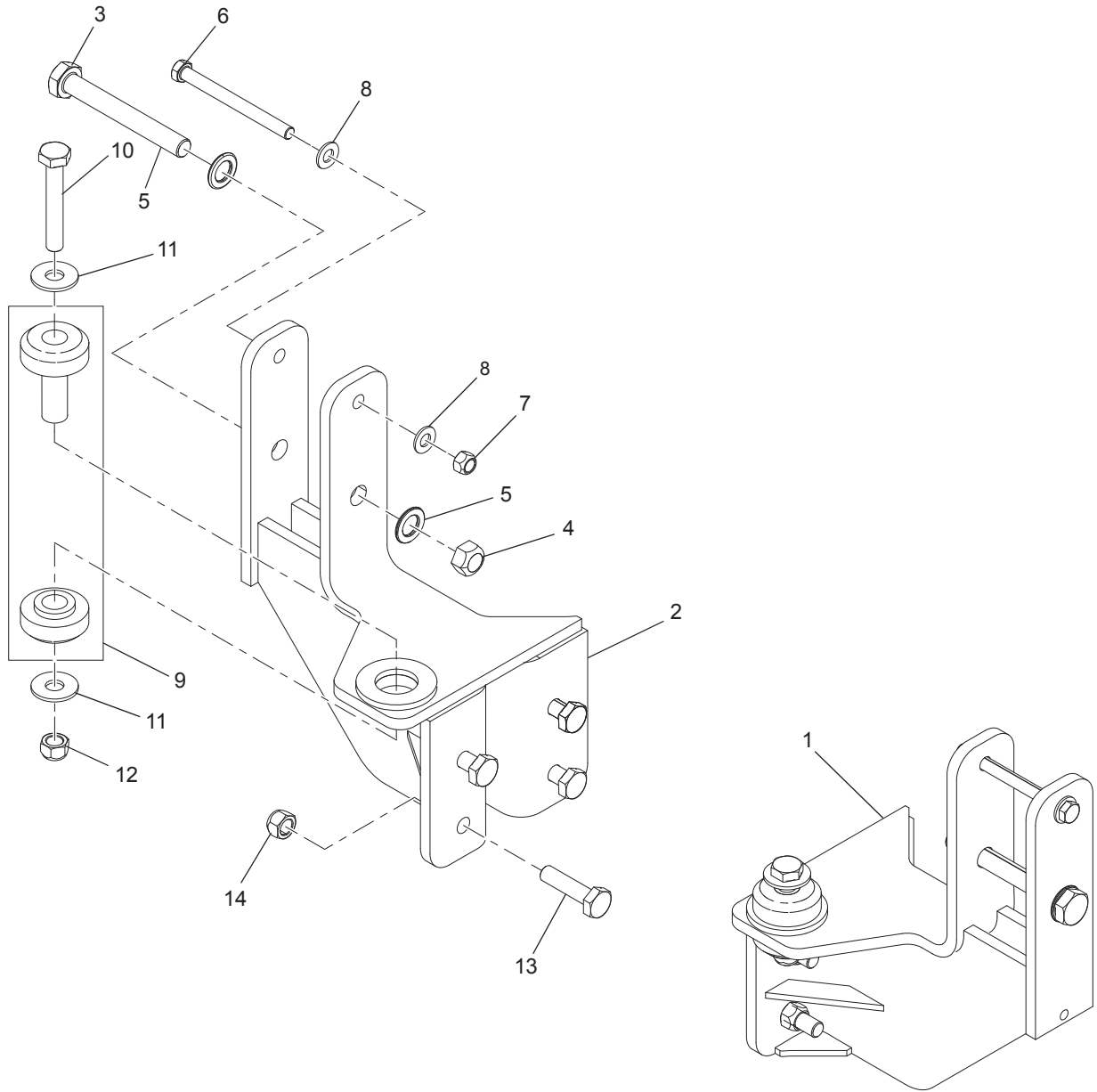
REF	PART NO.	DESCRIPTION	QTY	REF	PART NO.	DESCRIPTION	QTY
	33636	<i>Chute Swing Assembly</i>					
1	14478	Chain, Chute Swing, #80.....	10FT	10	19086	Washer, Flat, 5/8 A325 .....	18
2	11709	Spring, Chain Drive.....	1	11	19351	Nut, Auto Style, 5/8-11, GRC .....	9
3	14481	Link, Chain, Connector, #80 .....	2	12	12651	Gearbox, Chute Swing, HFG430, TULSA.....	1
4	22946	Tensioner, Chain, Adjustable Bolt.....	1	13	19121	Bolt, HHCS, 5/8-11 X 2-1/2, GR8.....	4
5	14480	Sprocket, Chute Swing #H80Q19.....	1	14	33405	Motor, HYD Chute Swing, Eaton, 5.9 CI .....	1
6	30088	Key, Bushing, CHT Swing, 3/8" X 2-1/4".....	1	15	19113	Bolt, HHCS, 1/2-13 X 1-1/2, GR8 .....	2
7	16874	Bushing, Browning Split Tap .....	1	16	19030	Washer, Split Lock, 1/2 Z/P.....	2
8	33380	Plate, Chute Swing Gearbox MNT .....	1	17*	12203	FTG, ST THRD O-Ring, 90° EL, JIC 8-10 .....	2
9	19156	Bolt, HHCS, 5/8-11 X 1-3/4, PF, GR8.....	5				

\* ITEM 17 IS NOT SHOWN IN THE ILLUSTRATION

WHEN ORDERING PARTS, SPECIFY MODEL NUMBER, SERIAL NUMBER AND DESCRIPTION OF PARTS REQUIRED

	<h2>CHUTE SWING</h2>	DATE: Released 01-2016	<b>GROUP</b>  <span style="font-size: 2em;"><b>9</b></span>
		MODEL: FD	
		PAGE: 9.6	

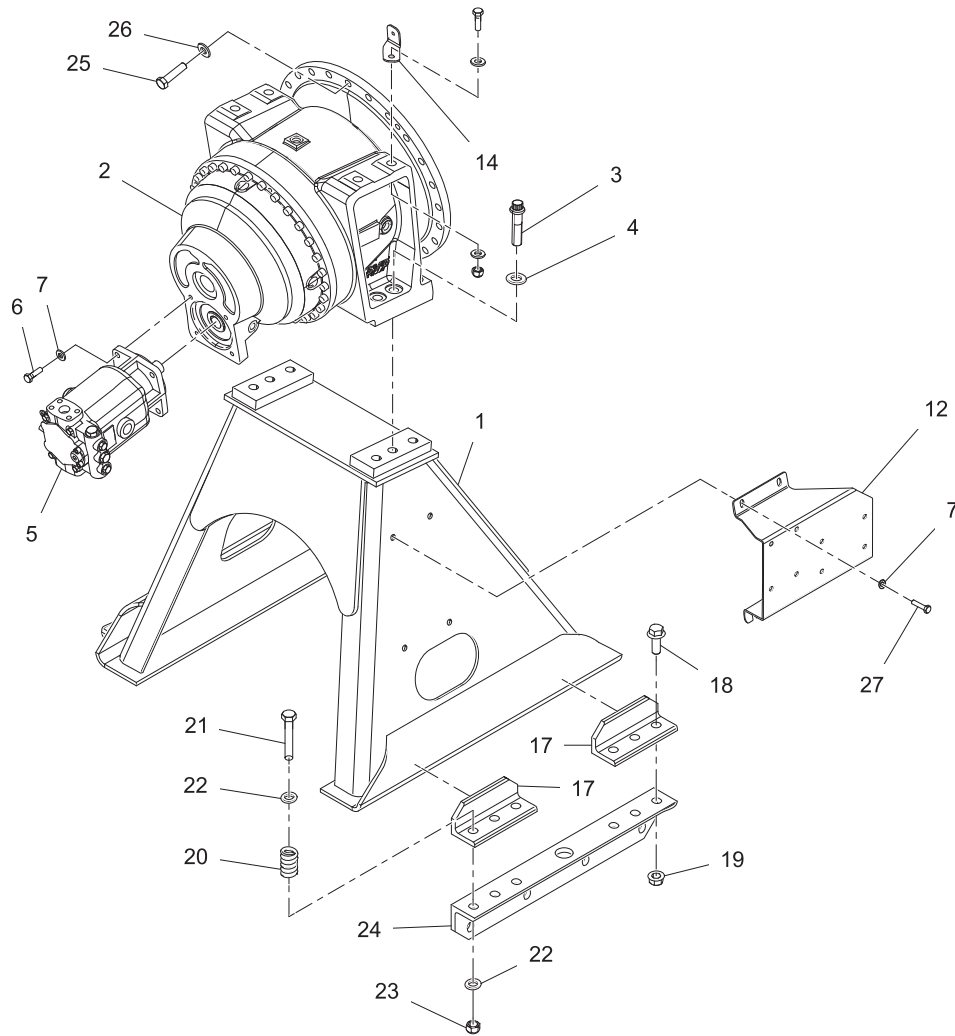
**UPRIGHTS**



REF	PART NO.	DESCRIPTION	QTY	REF	PART NO.	DESCRIPTION	QTY
<i>Upright Mounts Assembly</i>							
1	33483	WDMT, Upright Support, CBSD, MY13.....	1	7	19354	Nut, Auto Style, 1/2-13, GRC (Lock).....	2
2	33484	WDMT, Upright Support, STSD, MY13.....	1	8	19093	Washer, Flat, 1/2 A325.....	4
3	41429	Bolt, HHCS, 3/4-10 X 6, GR8.....	2	9	34532	Isolator, Cab, Barry Controls.....	2
4	19343	Nut, Auto Style, 3/ 4-10, GRC.....	2	10	19163	Bolt, HHCS, 5/8-11 X 4", GR8.....	2
5	19039	Washer, Flat, 3/4 A325.....	4	11	19086	Washer, Flat, -5/8 A325.....	4
6	19207	Bolt, HHCS, 1/2-13 X 5-1/2, GR8.....	2	12	19351	Nut, Auto Style, 5/8-11, GRC.....	2
				13	14468	Bolt, Flange, 5/8-18 X 2-1/4, GR8.....	8
				14	14461	Nut, Lock Flange, 5/8-18, GR8.....	8

WHEN ORDERING PARTS, SPECIFY MODEL NUMBER, SERIAL NUMBER AND DESCRIPTION OF PARTS REQUIRED

	<h2>UPRIGHT MOUNTS</h2>	DATE: Released 01-2016	<b>GROUP</b>  <b>9</b>
		MODEL: FD	
		PAGE: 9.7	

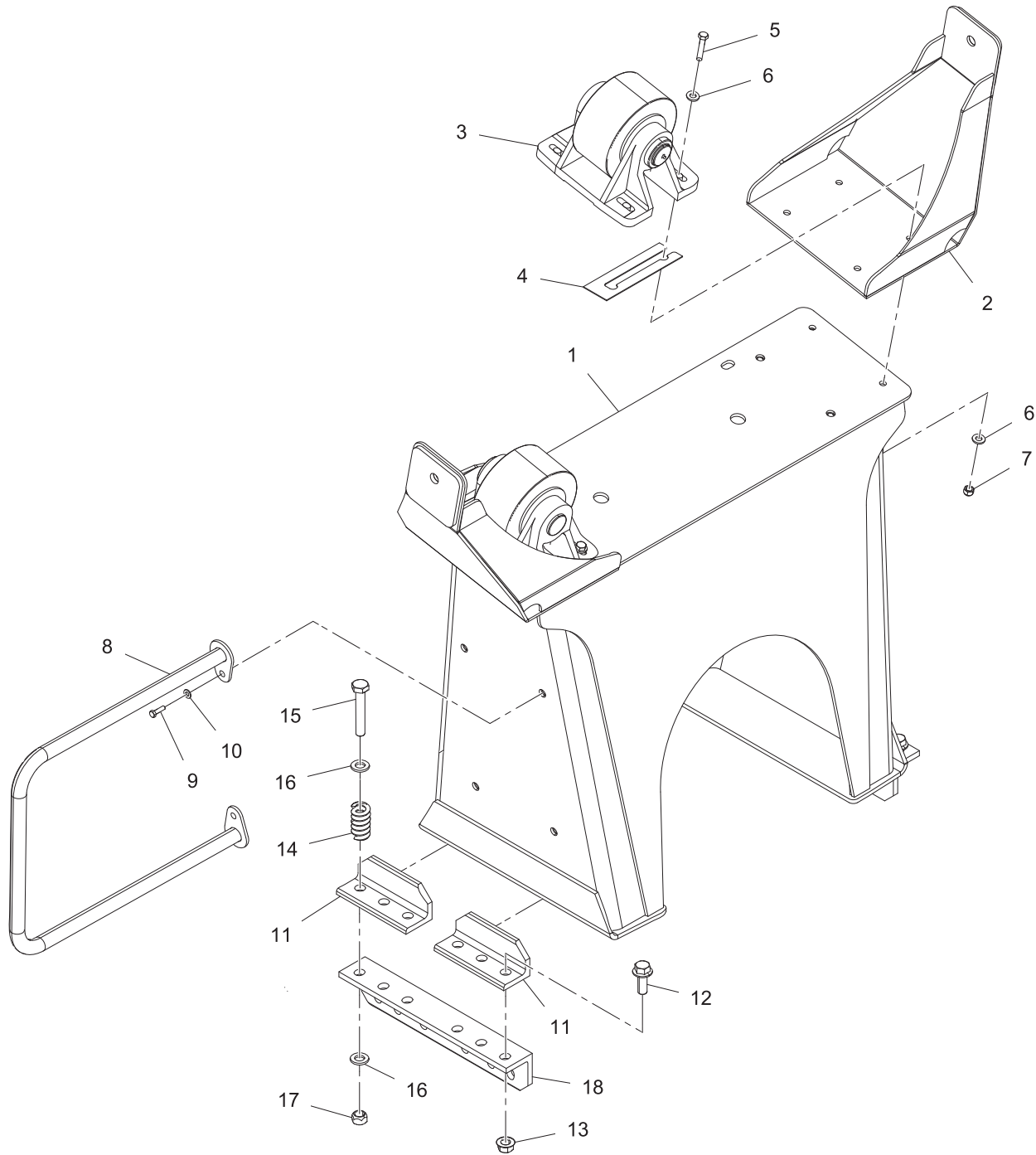


REF	PART NO.	DESCRIPTION	QTY	REF	PART NO.	DESCRIPTION	QTY
1	34115	WDMT, Pedestal, Drive, 10-1/2 YD .... 1	1	11*	30690	FTG, BARB, 12 Hose X 12	
	33454	WDMT, Drive Pedestal, 28.75" ..... 1	1	12	34107	JIC Female..... 1	1
	33455	WDMT, Drive Pedestal, 30.75" ..... 1	1	13*	32278	Bracket, Air Dryer Mount..... 1	1
		(Used on FD4000, FD5000GL, FDB4000, FD6000MS)				Air Dryer, CR-Turbo 2000 Plus, W/O PPT ..... 1	1
		(Used on FDB5000, FDB6000, FDB7000)		14	34175	Air Dryer, Bendix, AD-9EP ..... 1	1
2	31598	PMP Drum Drive, REVERSO ..... 1	1	15*	3795	Bracket, Drum Counter, PMP ..... 1	1
	31477	PMP Drum Drive, Straight Drive ..... 1	1	16*	40719	PROX Switch ..... 1	1
3	19263	Bolt, CBoRe, 7/8"-9x3-1/2", 1/2 ALLY .. 6	6	17	34551	Magnet (On Barrel) ..... 1	1
4	19075	Washer, Structural, 7/8", ASTM, A325, PF..... 6	6	18	12777	Angle, Hold Down, Pedestal, Upper... 4	4
5	29318	Motor, 4.6, NR ..... 1	1	19	14469	Bolt, FLNG, 3/4"-16 X 2", PO, GR8 .... 6	6
	29320	Motor, 4.6, NR, Speed Sensor ..... 1	1	20	14460	Nut, Flange, 3/4"-16, BLK ..... 6	6
6	19109	Bolt, HHCS, 3/8-16 X 1-1/2, GR8 ..... 4	4	21	14595	Spring, Hold-Down, Pedestal ..... 6	6
7	19272	Washer, Flat, 3/8 A325 ..... 8	8	22	19211	Bolt, HHCS, 3/4"-10 X 4-1/2"..... 6	6
8*	11499	Flange, HI Press, Hose, Split..... 4	4	23	19039	Washer, Flat, 3/4", USS, ZP ..... 12	12
9*	13505	FTG, 90° EL, Split Flange, #16 ..... 2	2	24	19343	Nut, Lock, Top, 3/4"-10, GRC..... 6	6
10*	12204	ADPTR, 90, ORing X 37 Flare, 2062-12-12 ..... 1	1	25	12778	Lower Pedestal Hold Down..... 2	2
				26	35133	Bolt, HHCS, 5/8"-11 X 2-1/2, Eco Guard Finish ..... 12	12
				27	35136	Washer, 5/8" SAE, Eco Guard Finish .. 12	12
					19105	Bolt, HHCS, 3/8"-16 X 1", PFF, GR8 .. 4	4

\* ITEMS 8 TO 11, 13, 15 & 16 ARE NOT SHOWN IN THE ILLUSTRATION

WHEN ORDERING PARTS, SPECIFY MODEL NUMBER, SERIAL NUMBER AND DESCRIPTION OF PARTS REQUIRED

	<h2>DRIVE PEDESTAL</h2>	DATE: Released 01-2016	<b>GROUP</b>  <h1>10</h1>
		MODEL: FD	
		PAGE: 10.1	



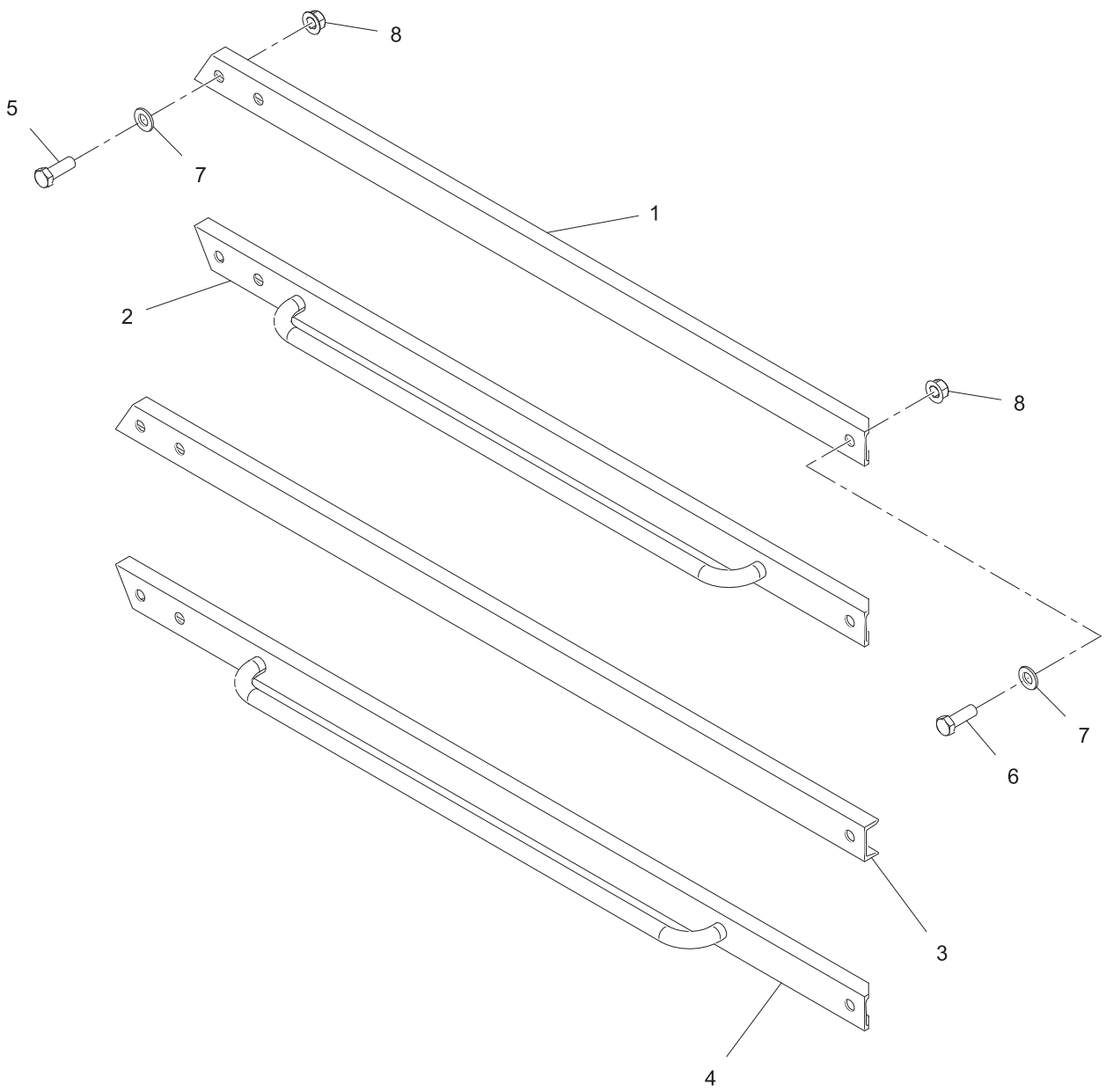
REF	PART NO.	DESCRIPTION	QTY	REF	PART NO.	DESCRIPTION	QTY
1	33416	WDMT, Pedestal, Roller, FD 2013.....	1	9	19114	Bolt, HHCS, 1/2-13 X 1-3/4, GR8 .....	2
	35298	WDMT, Pedestal, Roller, FD 2015.....	1	10	19093	Washer, Flat, 1/2 A325 .....	2
2	33425	WDMT, Upright Brace Mount, 2013....	1	11	12777	Angle, Hold Down, Pedestal, Upper ...	4
	35300	WDMT, Upright Brace Mount, 2015....	1	12	14469	Bolt, FLNG, 3/4"-16 X 2", PO, GR8.....	6
3	150440	ASSY, 8" Roller, MTM .....	2	13	14460	Nut, Flange, 3/4"-16, BLK .....	6
4	33789	Shim, 14GA Trunnion Roller .....	AR	14	14595	Spring, Hold-Down, Pedestal .....	6
	35294	Shim, Trunnion Roller, 14GA.....	AR	15	19211	Bolt, HHCS, 3/4"-10 X 4-1 /2" .....	6
5	19152	Bolt, HHCS, 1/2-13 X 2-1/2, GR8.....	8	16	19039	Washer, Flat, 3/4", USS, ZP.....	12
6	19093	Washer, Flat, 1/2 A325.....	12	17	19343	Nut, Lock, Top, 3/4"-10, GRC.....	6
7	19354	Nut, Auto Style, 1/2-13, GRC (Lock) ..	4	18	18291	Angle, Front PED Hold Down, Lower..	2
8	33445	WDMT, Handrail, Pedestal, 2013 .....	1				

WHEN ORDERING PARTS, SPECIFY MODEL NUMBER, SERIAL NUMBER AND DESCRIPTION OF PARTS REQUIRED

	<h2>ROLLER PEDESTAL</h2>	DATE: Released 01-2016	<b>GROUP</b>  <h1>10</h1>
		MODEL: FD	
		PAGE: 10.2	



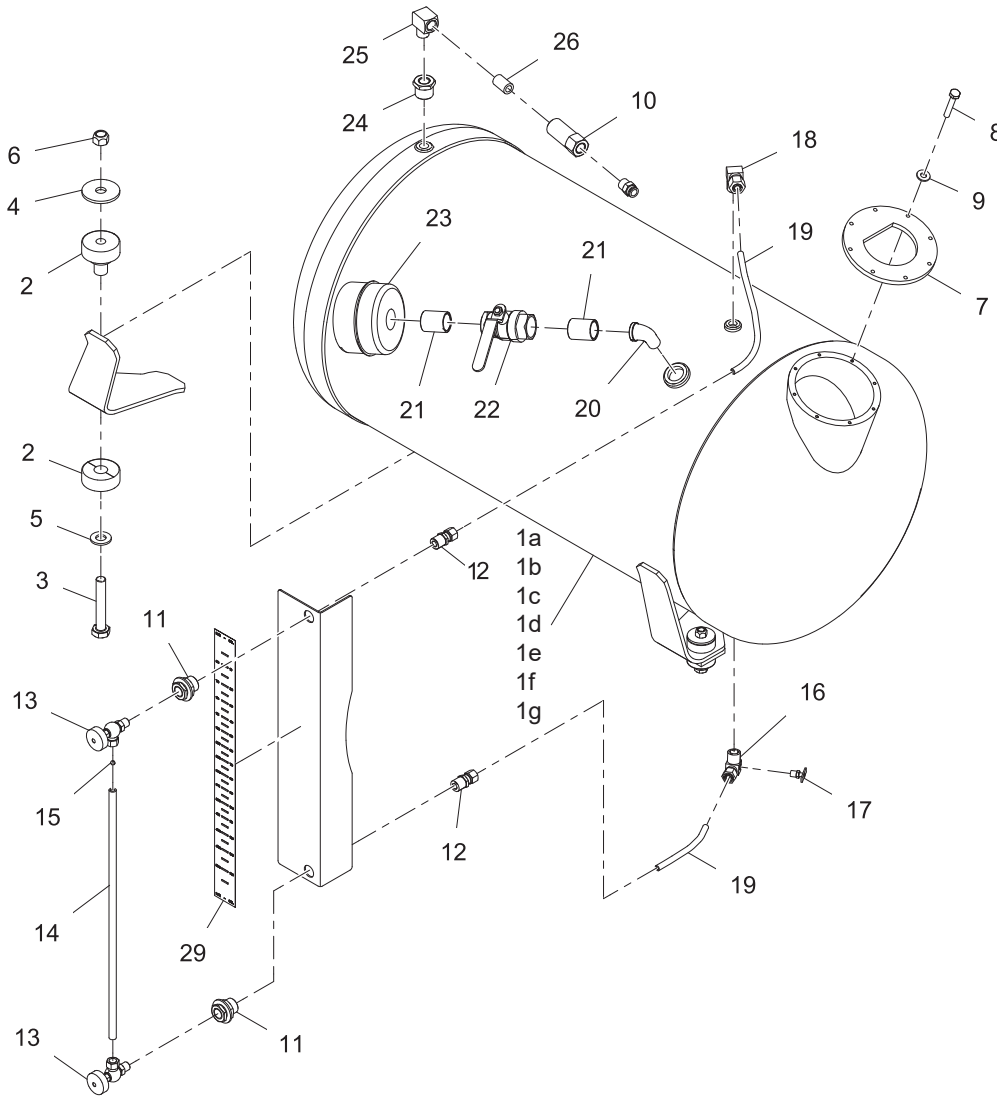
**PEDESTALS**



REF	PART NO.	DESCRIPTION	QTY	REF	PART NO.	DESCRIPTION	QTY
1	33438	WDMT, Upright SUPRT CHNL, 0" EXT, 2013, CBSD..... 1 (Used on FD3000, FD4000, FD5000GL)	1	4	33481	WDMT, Upright SUPRT CHNL, 9" EXT, 2013, STSD..... 1 (Used on FDB4000, FD6000MS FDB5000, FDB6000, FDB7000)	1
2	33479	WDMT, Upright SUPRT CHNL, 0" EXT, 2013, STSD ..... 1 (Used on FD3000, FD4000, FD5000GL)	1	5	35282	Bolt, HHCS, 7/8-9 X 2, GR8..... 4	4
				6	27685	Bolt, HHCS, 7/8-9 X 2-1/2, GR8..... 2	2
				7	23277	Washer, Fender, 7/8" (2.5), ZP..... 6	6
				8	34030	Nut, Flange, 7/8"-9, GR. G, PHOS/Oil ..... 6	6
3	33452	WDMT, Upright SUPRT CHNL, 9" EXT, 2013, CBSD..... 1 (Used on FDB5000, FDB6000, FDB7000, FDB4000, FD6000MS)	1				

WHEN ORDERING PARTS, SPECIFY MODEL NUMBER, SERIAL NUMBER AND DESCRIPTION OF PARTS REQUIRED

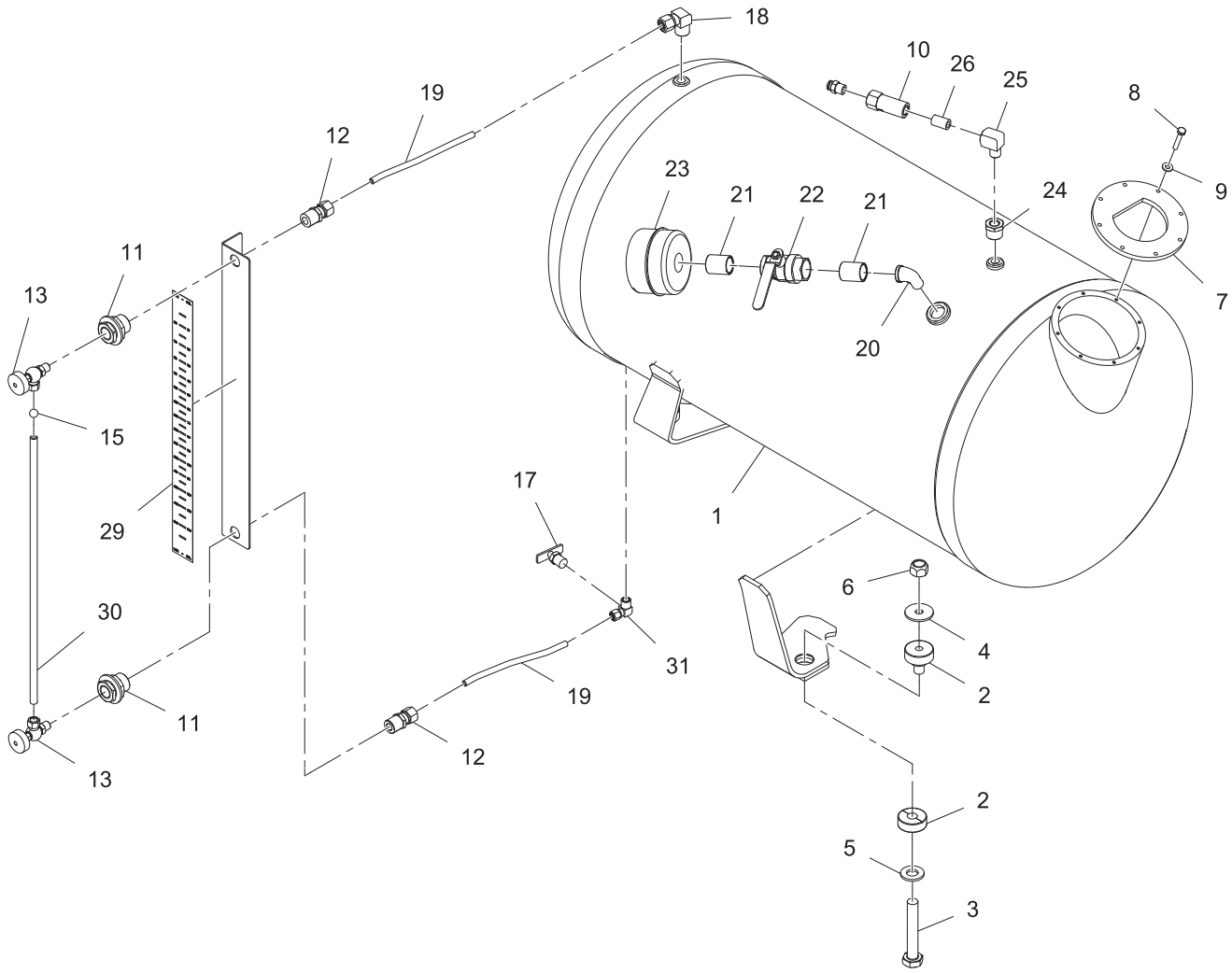
	<p><b>UPRIGHT SUPPORTS</b></p>	DATE: Released 01-2016	<p><b>GROUP</b> <b>10</b></p>
		MODEL: FD	
		PAGE: 10.3	



REF	PART NO.	DESCRIPTION	QTY	REF	PART NO.	DESCRIPTION	QTY
1	30973	Tank, Water, 125 Gallon, AL.....	1	7	42059	Kit, 6-3/4" Poly Flapper Valve .....	1
	12702	Tank, Water, 150 GAL, AL, Single Fill.....	1	8	19175	Bolt, HHCS, 1/4-20 X 1-1/2, GR8 .....	8
	12707	Tank, Water, 150 GAL, AL, Dual Fill .....	1	9	19053	Washer, Flat, 1/4 GR2 Z/P .....	8
	12709	Tank, Water, 200 GAL, AL, Single Fill.....	1	10	16787	Valve, Air, Check, 1/4" NPT .....	1
	12710	Tank, Water, 200 GAL, AL, Dual Fill .....	1	11	12231	FTG, Pipe, Bulkhead, 1/2" NPT, Brass.....	2
	12711	Tank, Water, 250 GAL, AL, Single Fill.....	1	12	11786	FTG, CMP, Male CONN, 1/2" TOD X 1/2" NPT .....	2
	12712	Tank, Water, 250 GAL, AL, Dual Fill .....	1	13	13209	Valve, Set, Water Sight Glass .....	1
2	19492	Isolator, Mount, CAB, Rubber .....	4	14	34190	Tube, Sight Gauge, 26".....	1
3	19163	Bolt, HHCS, 5/8-11 X 4", GR8.....	4	15	40612	Ball, Indicator, Sight Gauge .....	1
4	23898	Washer, 11/16" X 2-1/2" X 3/16" .....	4	16	34899	FTG, 90° EL, 1/2" OD X 1/2" NTP, Tapped .....	1
5	19086	Washer, Structural, 5/8" ASTM A325 .....	4	17	11731	Petcock, 1/8", External Seat .....	1
6	19351	Nut, Lock, 5/8-11 GRC .....	4	18	11801	FTG, AB, 90° M EL, 1/2" TOD X 1/2" NPT .....	1
				19	15349	Hose, Air Line, 1/2" .....	2.5

WHEN ORDERING PARTS, SPECIFY MODEL NUMBER, SERIAL NUMBER AND DESCRIPTION OF PARTS REQUIRED

	<b>WATER TANK, ROAD SIDE SIGHT GAUGE</b>	DATE: Released 01-2016	<b>GROUP 11</b>
		MODEL: FD	
		PAGE: 11.1	



REF	PART NO.	DESCRIPTION	QTY	REF	PART NO.	DESCRIPTION	QTY
20	15063	FTG, 90° ST EL, BLK SCHED 40, 1".....	1	28*	11778	FTG, COMP, Male CONN, 1/4" TOD X 1/4" NPT.....	1
21	15120	FTG, NPL, Close, BLK SCHED 40, 1".....	2	29	31014	Marker, Sight Gauge, 125 GAL / 473 Litre.....	1
22	11926	Valve, Ball, Water, 1" NPT, Brass STM.....	1		28743	Marker, Sight Gauge, Tank, 150 GAL / 568 Litre.....	1
23	11844	Muffler, Water Tank.....	1		28760	Marker, Sight Gauge, Tank, 200 GAL / 757 Litre.....	1
24	12980	FTG, Bushing, Pipe, 1/2".....	1		28742	Marker, Sight Gauge, Tank, 250 GAL / 946 Litre.....	1
25	13042	FTG, ST EL, 1/4" FTP X 1/4" NPT.....	1	30	23297	Tubing, Sight Gauge, 28.5.....	1
26	15119	FTG, Pipe NPL CLSE, SCHED 40, 1/4".....	1	31	21726	FTG, AB, 90° M EL, 1/2" TOD X 1/2" NPT.....	1
27*	30485	Water Tank Plumbing System, Standard.....	AR				
	30459	Heated Water System, 3, 4, & 5 Axle.....	AR				
	30777	Heated Water System, 6 & 7 Axle.....	AR				

\*ITEMS 27 & 28 ARE NOT SHOWN IN THE ILLUSTRATION

WHEN ORDERING PARTS, SPECIFY MODEL NUMBER, SERIAL NUMBER AND DESCRIPTION OF PARTS REQUIRED

	<b>WATER TANK, CURB SIDE SIGHT GAUGE</b>	DATE: Released 01-2016	<b>GROUP 11</b>
		MODEL: FD	
		PAGE: 11.2	

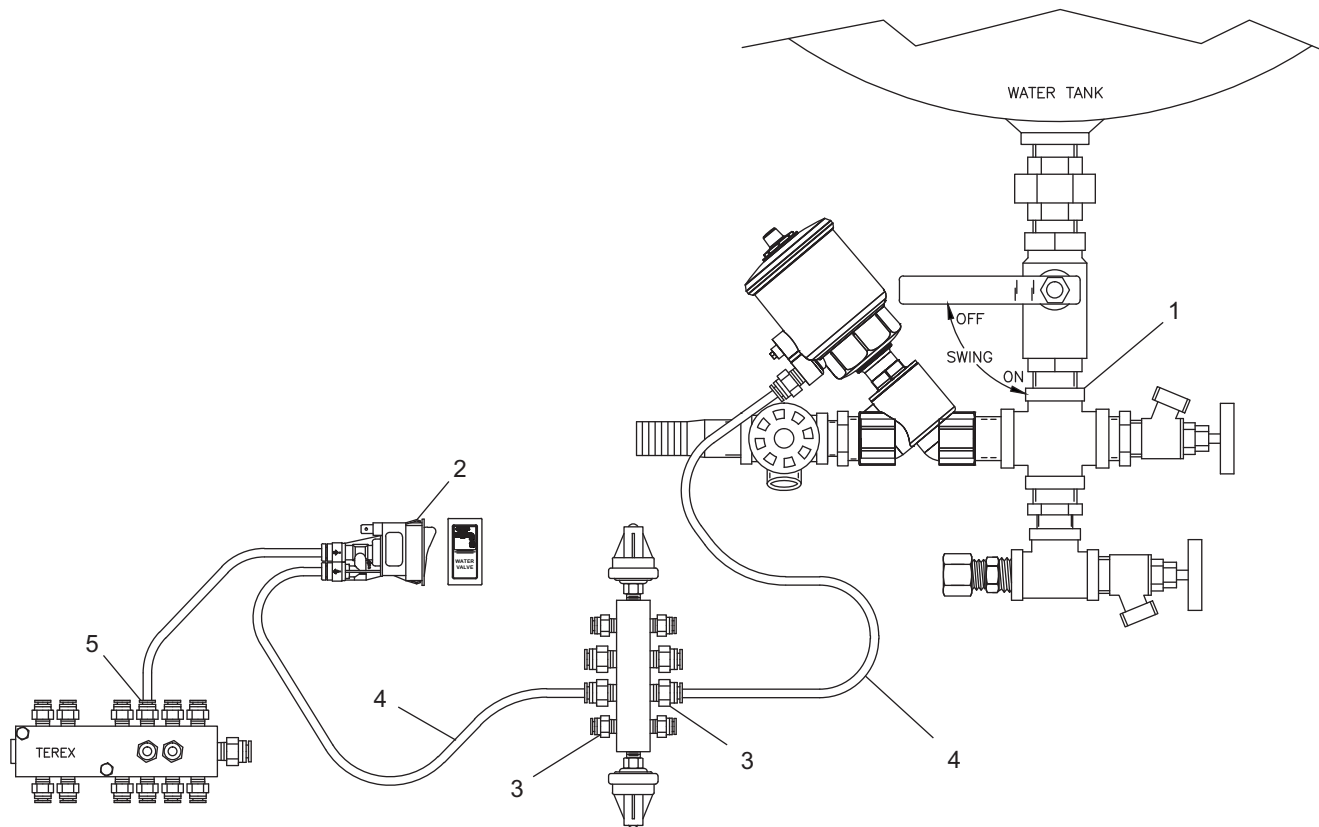
**WATER SYSTEM**



<u>REF</u>	<u>PART NO.</u>	<u>DESCRIPTION</u>	<u>REF</u>	<u>PART NO.</u>	<u>DESCRIPTION</u>
		<i>Fender Washdown Hose</i>			<i>Barrel Water Injection System</i>
1*	15777	Hose, Washdown, 25' X 5/8"	6	30435	Hose, Heater, 5/8", GST-2, BLK
2*	13608	Nozzle, Hose	7	11413	Clamp, Hose, 13/16 To 1-1/2
3	20518	WDMT, Bracket, Washdown Hose	8	33541	ASSY, Barrel Water Injection Tube
4	12231	FTG, Pipe, Bulkhead, 1/2" NTP, Brass			<i>Charge Hopper Washdown</i>
5	13106	Valve, Ball, Water, 1/2" Brass	9	15777	Hose, Washdown, 25' X 5/8"
			10	13608	Nozzle, Hose

\*ITEMS 1 & 2 ARE NOT SHOWN IN THE ILLUSTRATION

WHEN ORDERING PARTS, SPECIFY MODEL NUMBER, SERIAL NUMBER AND DESCRIPTION OF PARTS REQUIRED

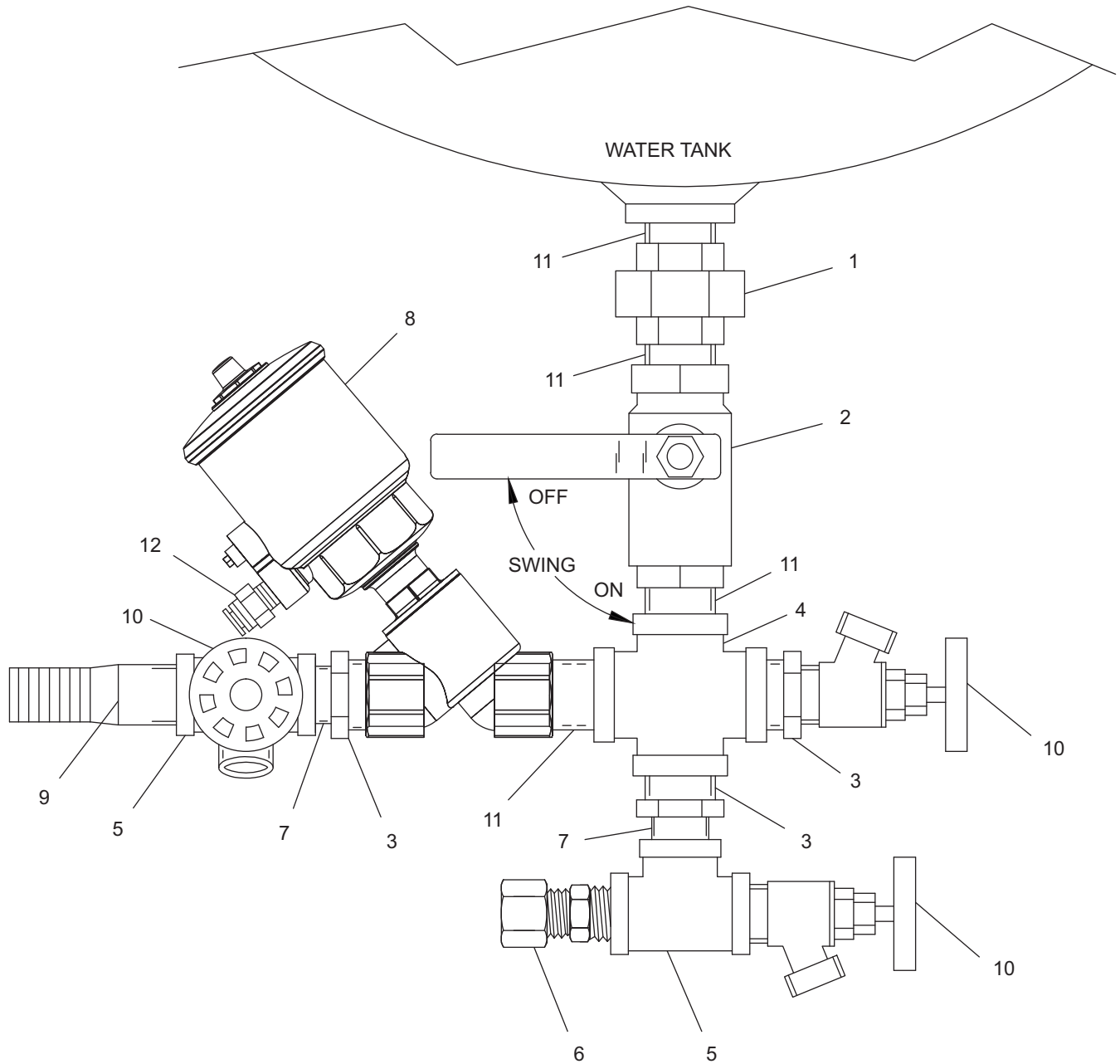


REF	PART NO.	DESCRIPTION	QTY	REF	PART NO.	DESCRIPTION	QTY
	30465	Water Tank Plumbing System FD					
1	28897	Water Tank Plumbing ASSY. STD (Used On 3, 4 & 5 Axle Trucks).....	0-1	3	29292	Fitting, 1/4" NPT X 1/4" Tube PTC.....	2
	29255	Water Tank Plumbing ASSY. 6 Axle (Used On 6 & 7 Axle Trucks).....	0-1	4	28142	Tube Air, 1/4", BLK.....	15
2	30380	Switch, Rocker, (Air) Water Valve.....	1	5	28133	Fitting, 1/8" NPT X 1/4" Tube PTC.....	1

WHEN ORDERING PARTS, SPECIFY MODEL NUMBER, SERIAL NUMBER AND DESCRIPTION OF PARTS REQUIRED

	<b>WATER TANK PLUMBING SYSTEM</b>	DATE: Released 01-2016	<b>GROUP</b>  <b>11</b>
		MODEL: FD	
		PAGE: 11.4	



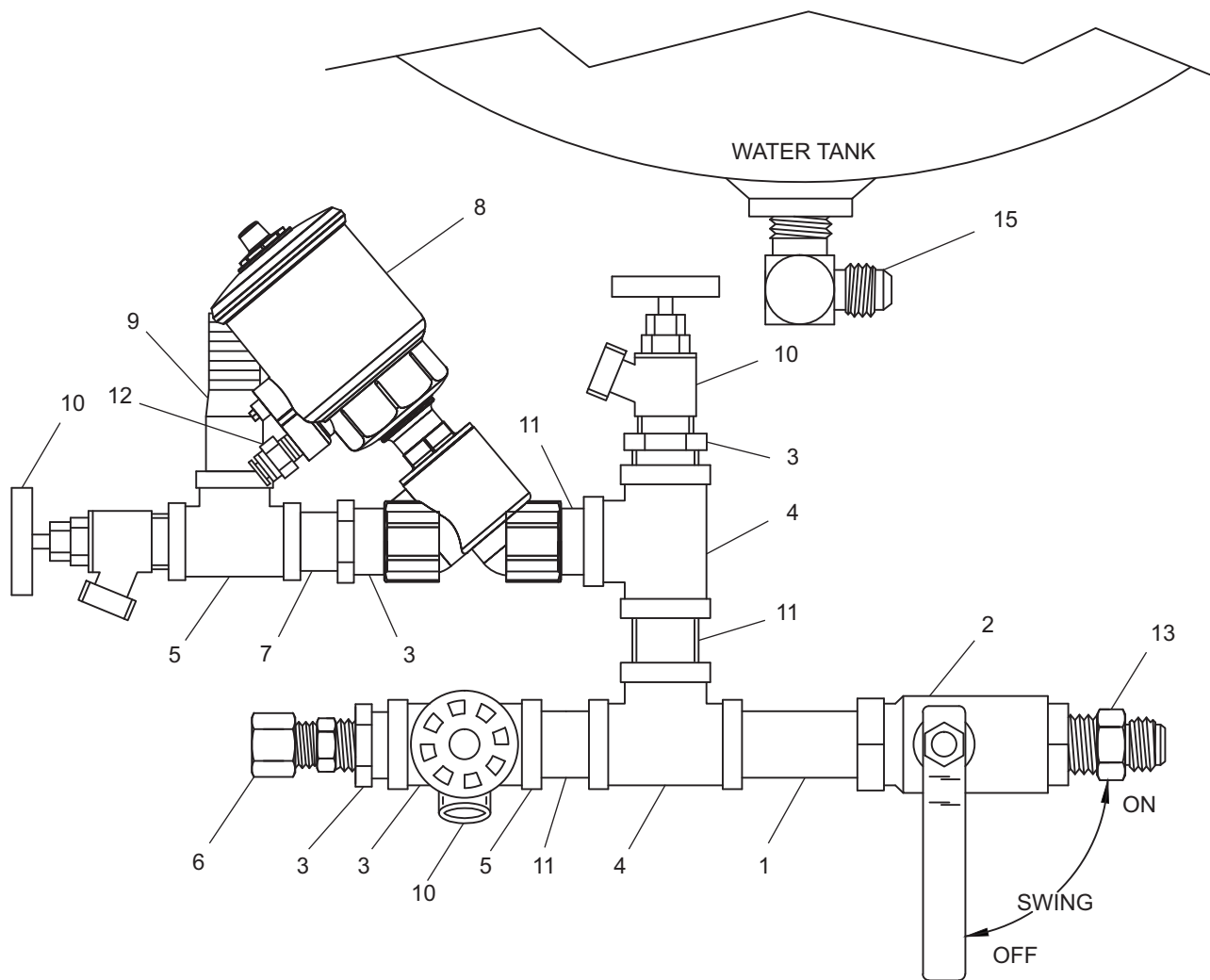


REF	PART NO.	DESCRIPTION	QTY	REF	PART NO.	DESCRIPTION	QTY
	28897	Water Tank Plumbing STD. ASSY. (Used On FD3000, 4000, 5000GL & FDB4000)					
1	12313	Union 1.0" NPT, Straight .....	1	8	30346	Valve, Water Air Pilot, 1.0" .....	1
2	11926	Valve, 1.0" NPT, Ball .....	1	9	11952	BARB, Hose Nipple, 3/4" NPT .....	1
3	15156	Bushing, 1.0" NPT X 3/4" NPT .....	3	10	14218	Valve, 3/4" NPT, Boiler, Water .....	3
4	12123	Adaptor, Cross, 1.0" NPT .....	1	11	15120	Close Nipple, 1.0" NPT .....	4
5	14970	Tee, 3/4" NPT .....	2	12	28133	Fitting, 1/8" NPT X 1/4" Tube PTC .....	1
6	11776	Fitting, 3/4" NPT X 3/4" Tube .....	1	13*	30464	Water Valve Service Kit .....	AR
7	15140	Close Nipple, 3/4" NPT .....	2				

\*ITEM 13 IS NOT SHOWN IN THE ILLUSTRATION

WHEN ORDERING PARTS, SPECIFY MODEL NUMBER, SERIAL NUMBER AND DESCRIPTION OF PARTS REQUIRED

	<p style="text-align: center;"><b>WATER TANK PLUMBING, STD</b></p>	DATE: Released 01-2016	<p style="text-align: center;"><b>GROUP</b> <b>11</b></p>
		MODEL: FD	
		PAGE: 11.5	

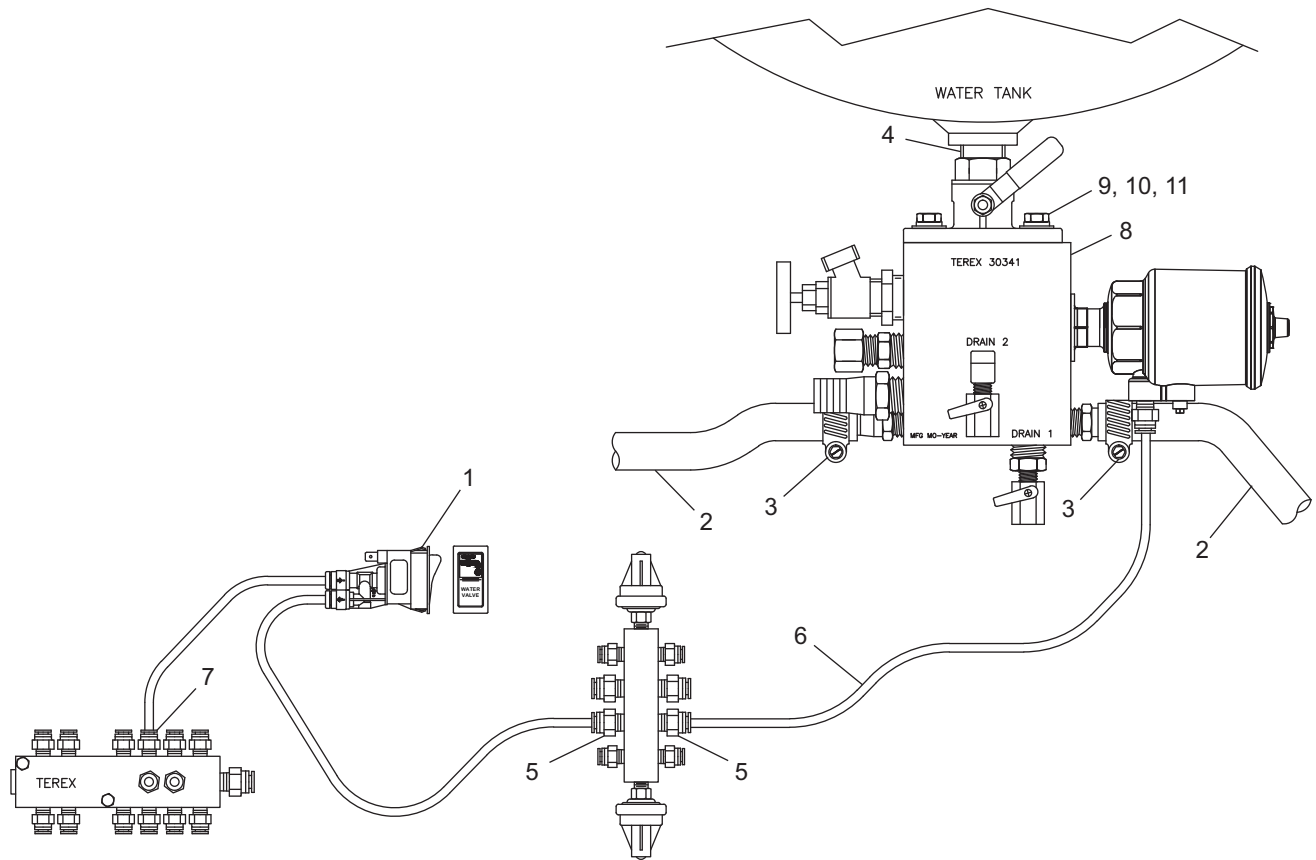


REF	PART NO.	DESCRIPTION	QTY	REF	PART NO.	DESCRIPTION	QTY
	<b>29255</b>	<i>Water Tank Plumbing &amp; Axle ASSY. (Used On FDB5000, All FD6000 &amp; 7000)</i>					
1	15116	Nipple, 1.0" NPT X 3.0" .....	1	11	15120	Close Nipple, 1.0" NPT .....	3
2	11926	Valve, 1.0" NPT, Ball .....	1	12	28133	Fitting, 1/8" NPT X 1/4" Tube PTC.....	1
3	15156	Bushing, 1.0" NPT X 3/4" NPT .....	4	13	12128	Adaptor, 1.0" NPT X -16 JIC Male .....	1
4	14971	Tee, 1.0" NPT .....	2	14*		Hose -16 X 20" X 16 JIC ST. X 16 JIC ST. ....	1
5	14970	Tee, 3/4" NPT .....	2	15	12149	Adaptor, 1.0" NPT X -1 6 JIC 90° .....	1
6	11776	Fitting, 3/4" NPT X 3/4" Tube .....	1	16*	20808	Bracket, Water Valve ASSY. ....	1
7	15140	Close Nipple, 3/4" NPT .....	1	17*	20579	U Bolt 1/4" X 1.25 Pipe .....	2
8	30346	Valve, Water, Air Pilot, 1.0" .....	1	18*	19352	Locknut 1/4" .....	2
9	11952	BARB, Hose Nipple, 3/4" NPT .....	1	19*	30464	Water Valve Service Kit.....	AR
10	14218	Valve, 3/4" NPT, Boiler, Water .....	3				

\* ITEMS 14, 16, 17, 18 & 19 ARE NOT SHOWN IN THE ILLUSTRATION

WHEN ORDERING PARTS, SPECIFY MODEL NUMBER, SERIAL NUMBER AND DESCRIPTION OF PARTS REQUIRED

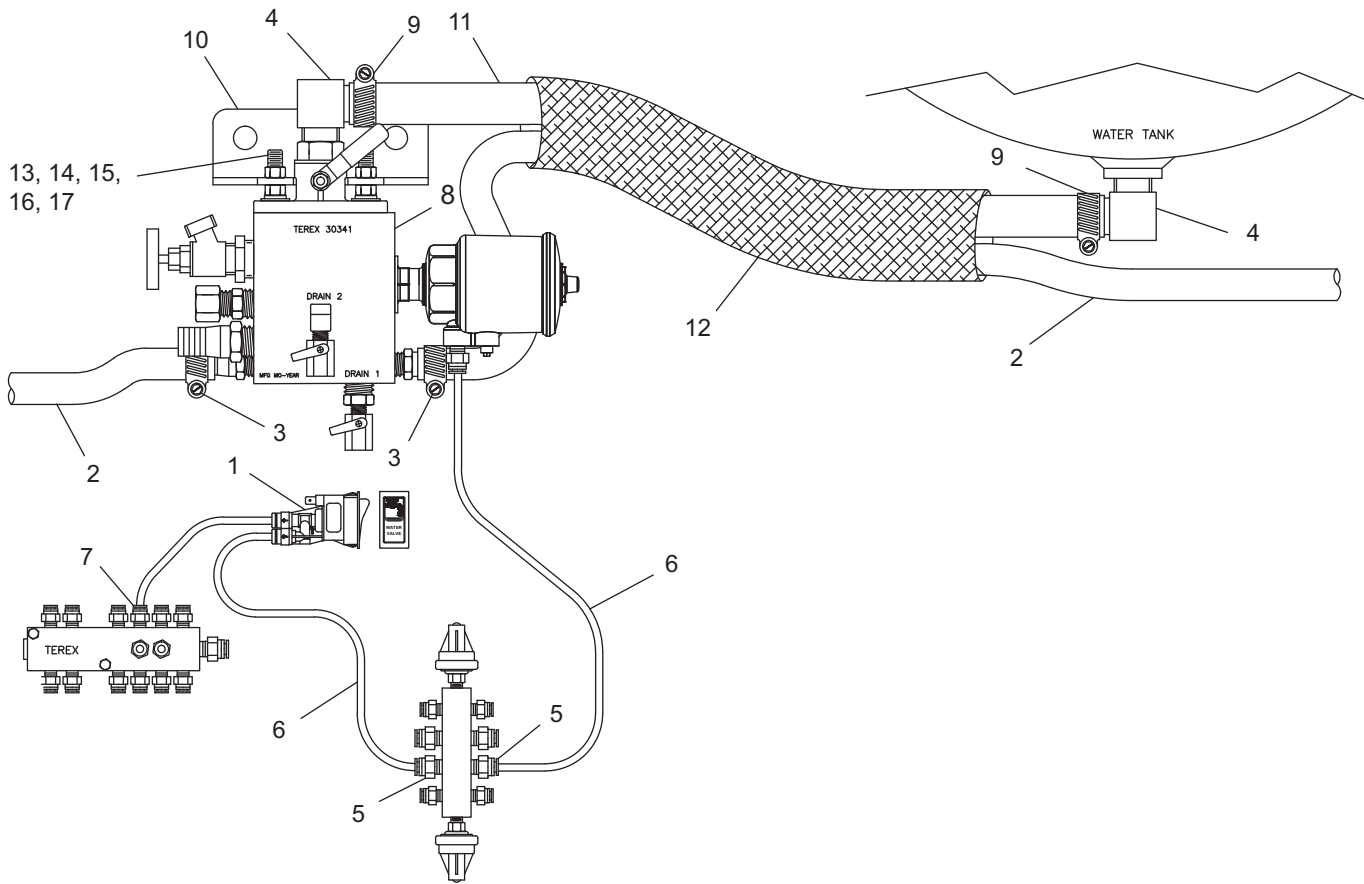
	<b>WATER TANK PLUMBING, REMOTE MOUNT</b>	DATE: Released 01-2016	<b>GROUP 11</b>
		MODEL: FD	
		PAGE: 11.6	



REF	PART NO.	DESCRIPTION	QTY	REF	PART NO.	DESCRIPTION	QTY
	<b>30459</b>	<i>Valve ASSY, Water Heated System, 3, 4 &amp; 5 Axle</i>					
1	30380	Switch, Rocker, (Air) Water Valve.....	1	7	28133	Fitting, 1/8" NPT X 1/4" Tube PTC .....	1
2	30445	Hose, 5/8" Heater .....	AR	8	30341	Manifold, Water, Heated ASSY.....	1
3	11411	Clamp, Hose, 9/16" - 1, 1/16" .....	2	9	19143	HHCS, 7/16"-14 X 1.25" GR. 8 Zinc...	2
4	30458	Close Nipple, 1.0" NPT, SCH 80.....	1	10	19028	Washer, Lock, 7/16" Zinc .....	2
5	29292	Fitting, 1/4" NPT X 1/4" Tube PTC .....	2	11	19312	Washer, Lock, 3/8" Zinc .....	2
6	28142	Tube Air, 1/4", BLK .....	17				

WHEN ORDERING PARTS, SPECIFY MODEL NUMBER, SERIAL NUMBER AND DESCRIPTION OF PARTS REQUIRED

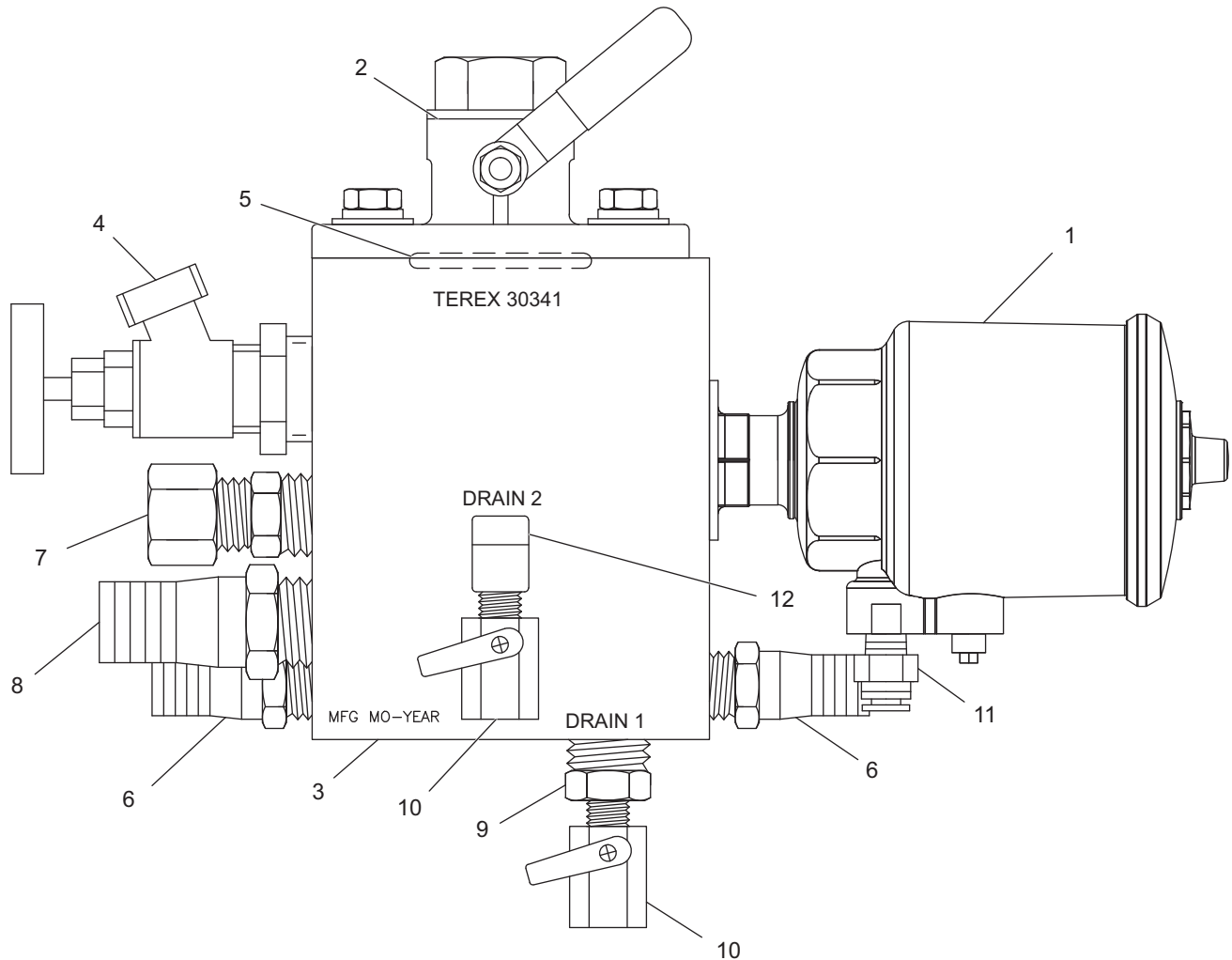
	<h2>HEATED MANIFOLD, STD</h2>	DATE: Released 01-2016	<b>GROUP</b>  <span style="font-size: 2em;"><b>11</b></span>
		MODEL: FD	
		PAGE: 11.7	



REF	PART NO.	DESCRIPTION	QTY	REF	PART NO.	DESCRIPTION	QTY
	30777	Valve ASSY, Water Heated System, 6 & 7 Axle					
1	30380	Switch, Rocker, (Air) Water Valve.....	1	9	11413	Clamp, Worm, 13/16" - 1.5" .....	2
2	30445	Hose, 5/8" Heater .....	AR	10	30722	Bracket, Heated Water Valve .....	1
3	11411	Clamp, Hose, 9/16" - 1, 1/16" .....	2	11	30776	Hose, 1.0" X 27.0", 300 PSI .....	2.1
4	30775	BARB, Hose, 1.0" X 1.0" NPT 90° Zinc .....	2	12	30774	Sleeving, 2.07" - 1PC. @ 18.0" .....	1.5
5	29292	Fitting, 1/4" NPT X 1/4" Tube PTC .....	2	13	30773	Lock Nut, 7/16" Zinc .....	2
6	28142	Tube Air, 1/4", BLK .....	17	14	30772	Stud, 7/16" - 14 X 2.5" B7 .....	2
7	28133	Fitting, 1/8" NPT X 1/4" Tube PTC .....	1	15	28433	Nut, 7/16" - 14, Zinc .....	2
8	30341	Manifold, Water, Heated ASSY.....	1	16	19028	Washer, Lock, 7/16" Zinc .....	2
				17	19312	Washer, Lock, 3/8" Zinc .....	2

WHEN ORDERING PARTS, SPECIFY MODEL NUMBER, SERIAL NUMBER AND DESCRIPTION OF PARTS REQUIRED

	<b>HEATED MANIFOLD, REMOTE MOUNT</b>	DATE: Released 01-2016	<b>GROUP 11</b>
		MODEL: FD	
		PAGE: 11.8	

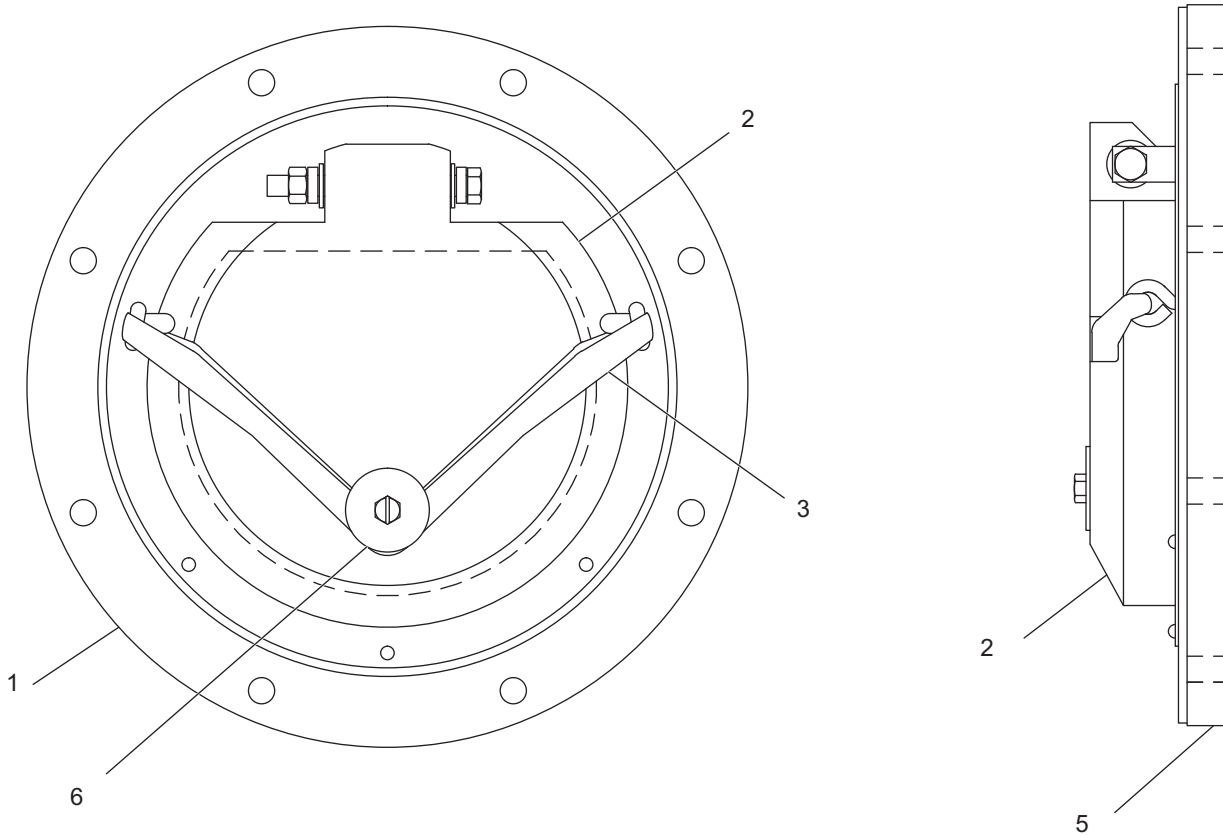


REF	PART NO.	DESCRIPTION	QTY	REF	PART NO.	DESCRIPTION	QTY
	<b>30341</b>	<i>Manifold Heated Water Valve ASSY.</i>					
1	30346	Valve, Water, AIP Pilot, 1.0".....	1	8	11952	Hose BARB, 3/4" NPT X 1.0" Hose ...	2
2	30347	Valve, Ball, Flange 1.0", 2029T .....	1	9	30379	Reducer, 3/4" NPT Male X 1/4" NPT Female .....	1
3	30345	Manifold, Water Tank, Heated .....	1	10	15307	Ball Valve, 1/4" NPT .....	2
4	14218	Valve, Boiler Drain, 3/4" NPT.....	1	11	28133	Fitting, 1/8" NPT X 1/4" Tube PTC .....	1
5	30348	O-Ring, #327, EPDM.....	1	12	13042	Elbow, 1/4" NPT Male X 1/4" NPT Female 90° .....	1
6	30349	Hose BARB, 1/2" NPT X 5/8" Hose.....	2				
7	11776	Adaptor, 3/4" NPT X 3/4" Tube .....	1				

WHEN ORDERING PARTS, SPECIFY MODEL NUMBER, SERIAL NUMBER AND DESCRIPTION OF PARTS REQUIRED

	<h2>HEATED MANIFOLD</h2>	DATE: Released 01-2016	<b>GROUP</b>  <b>11</b>
		MODEL: FD	
		PAGE: 11.9	



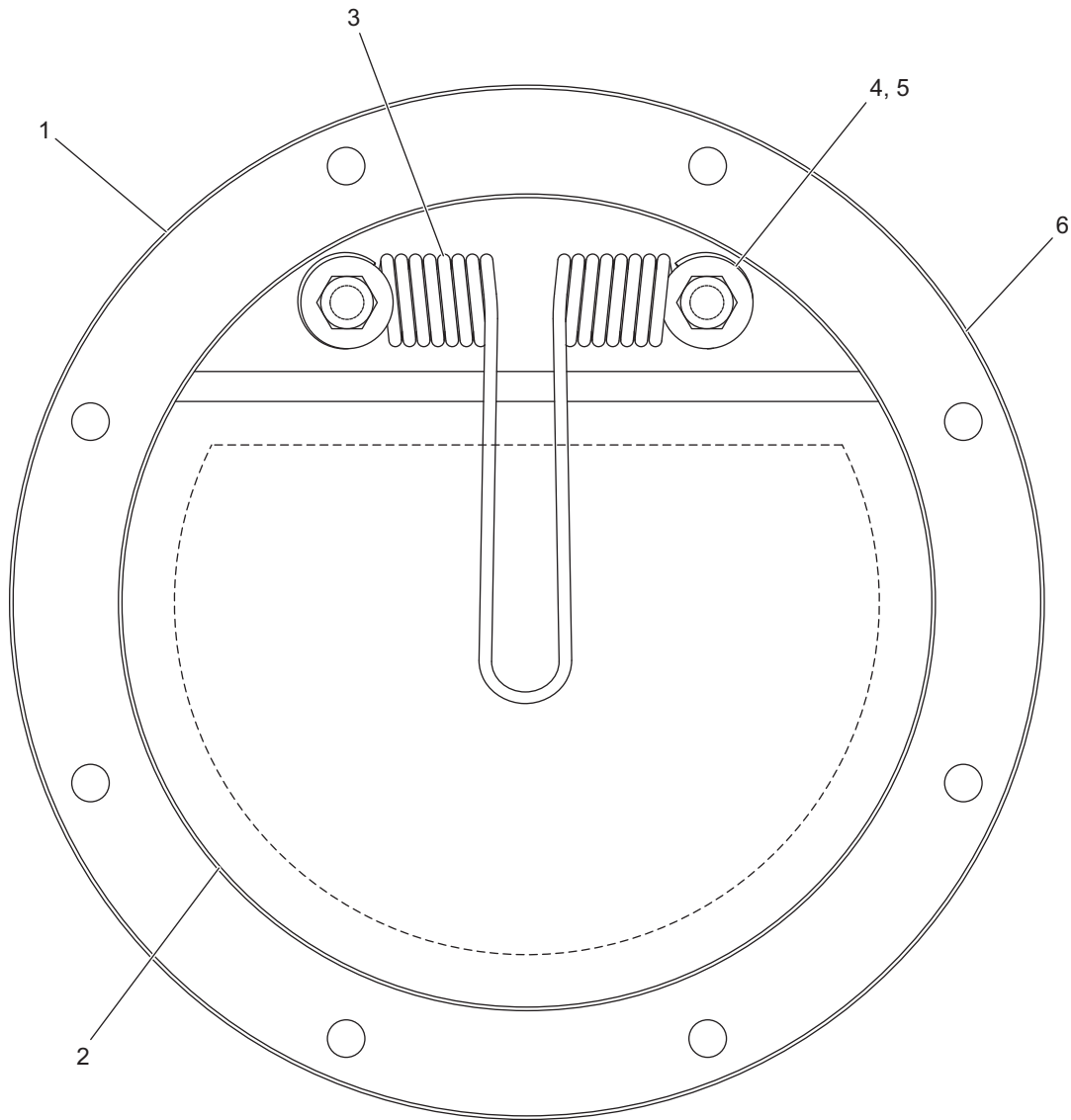


REF	PART NO.	DESCRIPTION	REF	PART NO.	DESCRIPTION
	42059	ASSY, 6-3/4" Poly Flapper Valve (This Valve Replaces Water Tank Flapper #27089)			
1	31522	Gasket, 6-3/4" Poly Flapper Valve	5	31548	Lid, 6-3/4" Poly Flapper Valve
2	31523	Puck, 6-3/4" Poly Flapper Valve	6	31549	Kit, Hardware, 6-3/4" Poly Flapper Valve
3	31524	Tube, 6-3/4" Poly Flapper Valve	7*	31546	Elbow, Barbed Tube, Poly Flapper Valve
4*	31547	Gasket, Inner, 6-3/4" Poly Flapper Valve			

\*ITEMS 4 & 7 ARE NOT SHOWN IN THE ILLUSTRATION

WHEN ORDERING PARTS, SPECIFY MODEL NUMBER, SERIAL NUMBER AND DESCRIPTION OF PARTS REQUIRED

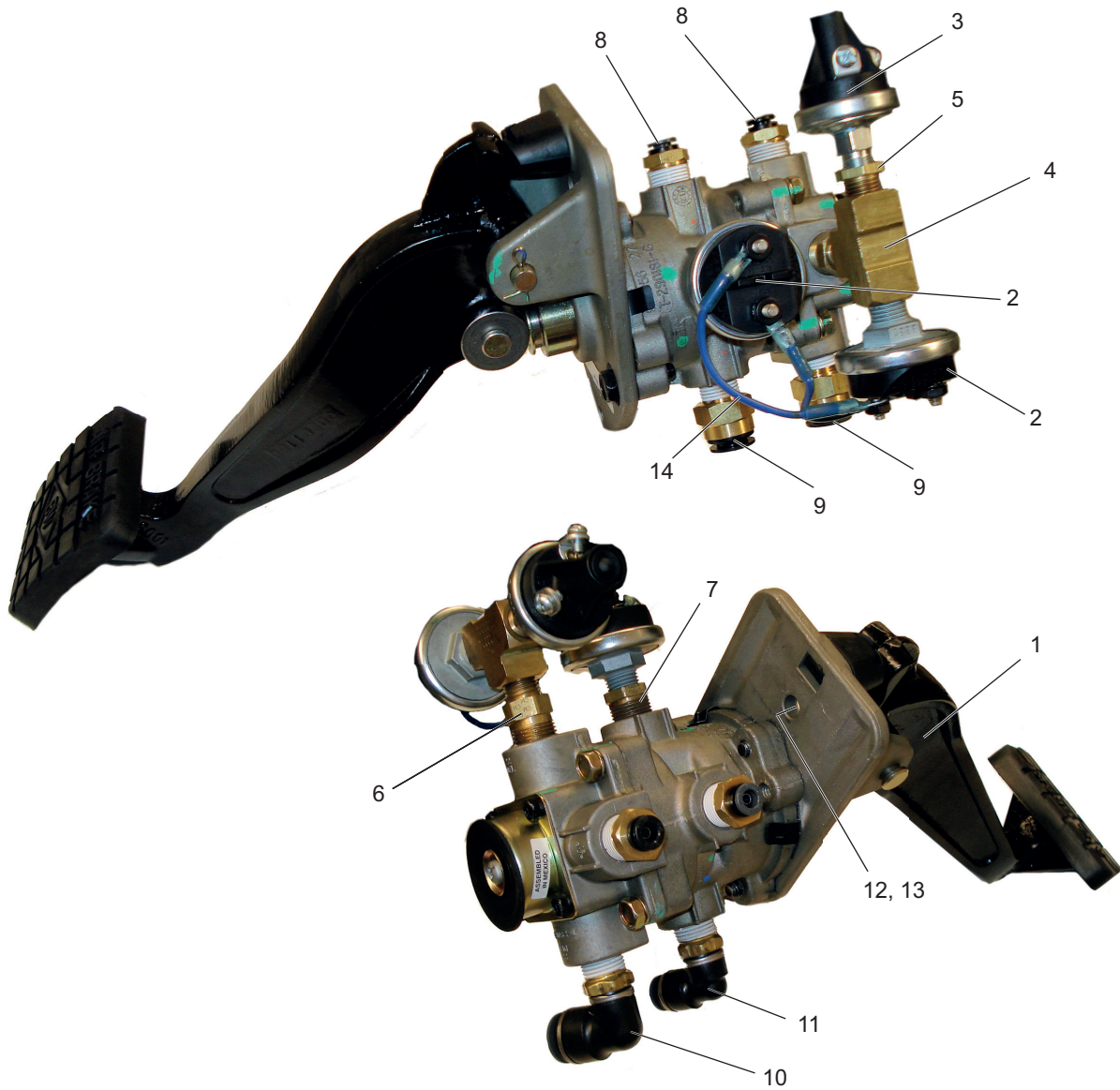
	<h2>POLY FLAPPER VALVE</h2>	DATE: Released 01-2016	<b>GROUP</b>  <b>11</b>
		MODEL: FD	
		PAGE: 11.10	



REF	PART NO.	DESCRIPTION	QTY	REF	PART NO.	DESCRIPTION	QTY
1	42300	Plate, Large Water Tank Fill .....	1	4	35419	Washer, Flat, 1/4" ID X 0.875OD X 1/8" SS .....	2
2	42301	Flap, Large Water Tank Fill .....	1	5	19029	Bolt, HHCS, 1/4-20 X 1" SS .....	2
3	42302	Spring, Large Water Tank Fill .....	1	6	42303	Gasket, Large Water Tank Fill .....	1

WHEN ORDERING PARTS, SPECIFY MODEL NUMBER, SERIAL NUMBER AND DESCRIPTION OF PARTS REQUIRED

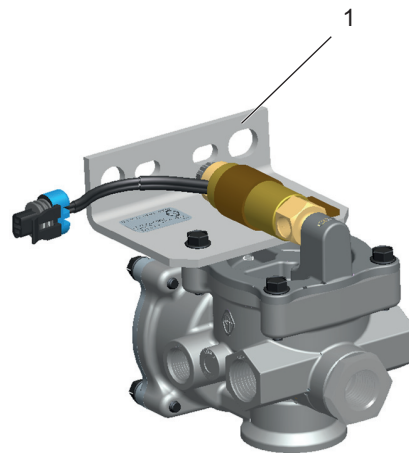
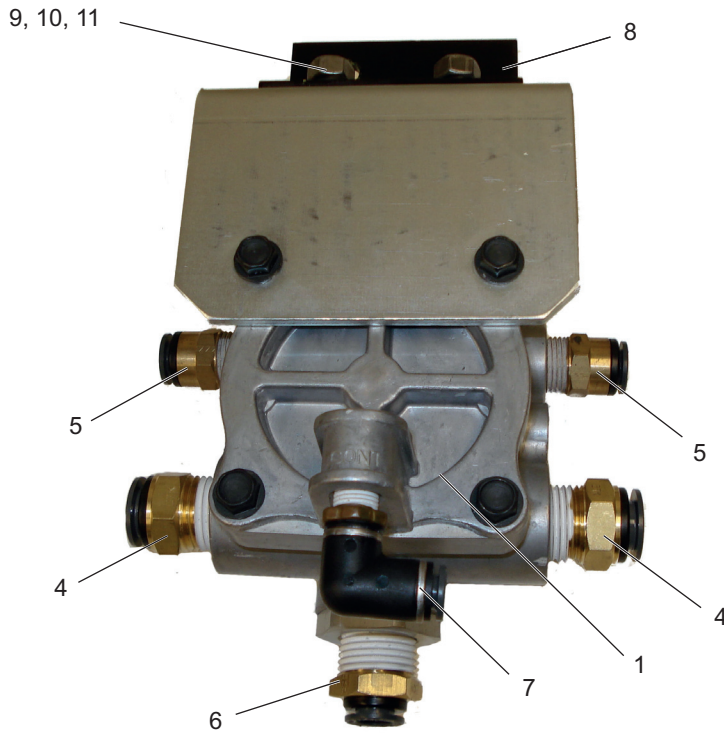
	<p style="text-align: center;"><b>FLAP VALVE ASSY-W/SPRING</b></p>	DATE: Released 01-2016	<p style="text-align: center;"><b>GROUP</b> <b>11</b></p>
		MODEL: FD	
		PAGE: 11.11	



REF	PART NO.	DESCRIPTION	QTY	REF	PART NO.	DESCRIPTION	QTY
	33474	<i>Brake Treadle Valve ASSY, MY12</i>					
1	33465	Valve, Treadle, Brake, Hanging, MY12.....	1	7	12983	Reducer, 3/8" NPT X 1/4" NPT .....	1
2	12994	Pressure Switch - N.O.....	2	8	33464	Fitting 3/8" NPT X 1/4" Tube PTC....	2
3	14249	Pressure Switch N.C.....	1	9	33289	Fitting 3/8" NPT X 1/2" Tube PTC....	2
4	13079	Tee Branch, - 1/4" NPTF X 1/4 X 1/4" Brass.....	1	10	28606	Elbow 3/8" NPT X 1/2" - 90' Tube PTC.....	1
5	12982	Bushing 1/4" NPT Male X 1/8" NPT Female .....	1	11	28689	Elbow 3/8" NPT X 3/8" - 90' Tube PTC.....	1
6	13024	Adaptor 3/8" NPT Male X 1/4" NPT Male .....	1	12	19128	HHCS 5/16"-18 X 3/4" GR.8 BLK.....	2
				13	24984	Nut Serrated Flange 5/16"-18 Zinc..	2
				14	24997	Wire, 14 GA. Blue .....	1

WHEN ORDERING PARTS, SPECIFY MODEL NUMBER, SERIAL NUMBER AND DESCRIPTION OF PARTS REQUIRED

	<h2>BRAKE TREADLE VALVE</h2>	DATE: Released 01-2016	<b>GROUP</b>  <h1>12</h1>
		MODEL: FD	
		PAGE: 12.1	

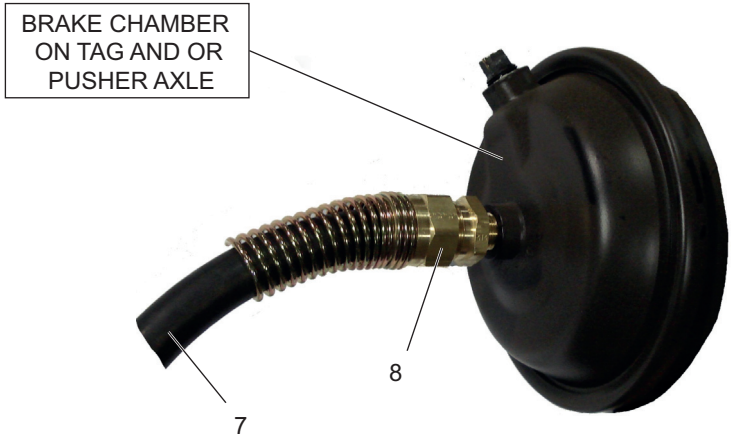
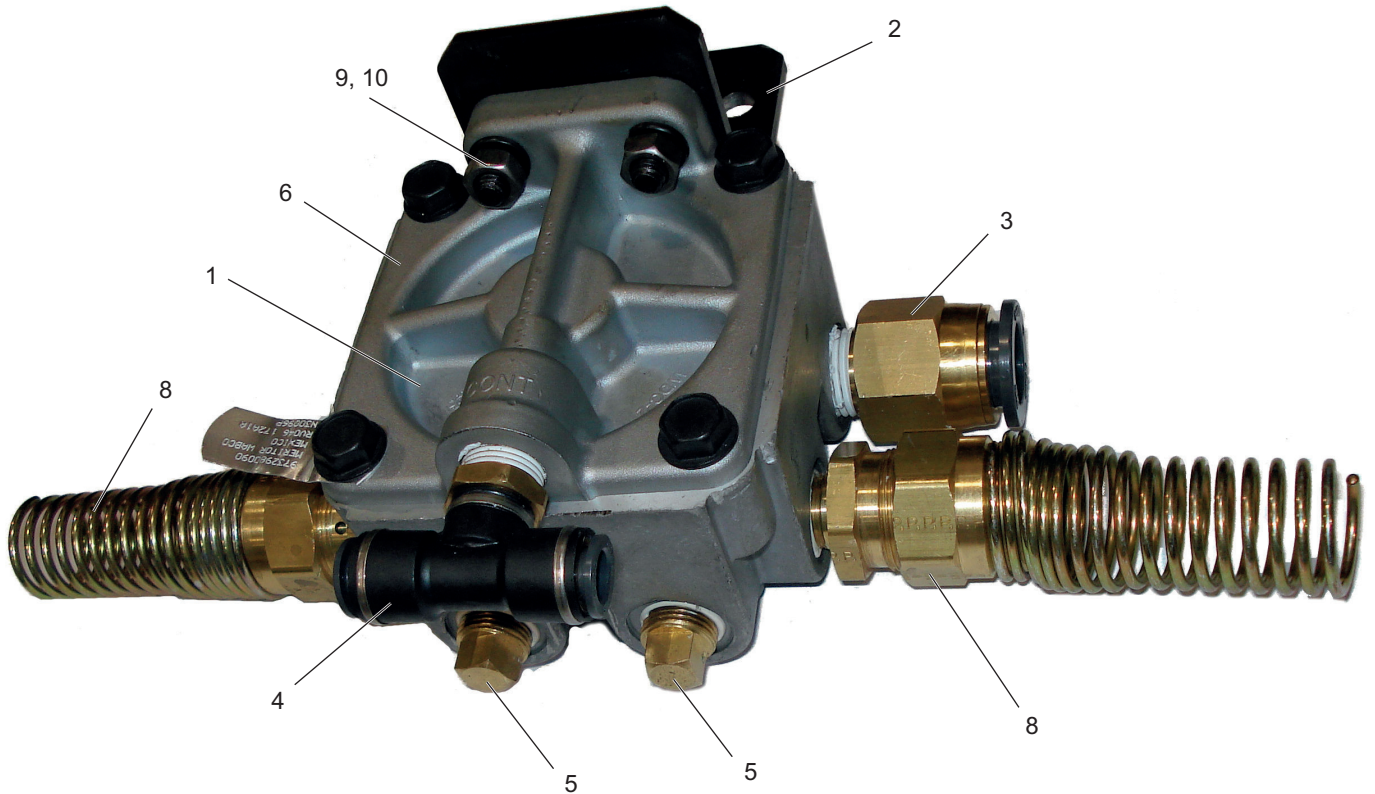


USE 31282 VALVE  
FOR "AUTO-UP"  
FEATURE

REF	PART NO.	DESCRIPTION	QTY	REF	PART NO.	DESCRIPTION	QTY
	<b>33473</b>	<b>LACM Valve ASSY. MY12</b>					
1	<b>31281</b>	LACM Valve .....	1	6	<b>33297</b>	Fitting 1/2" NPT X 3/8" Tube	
	<b>31282</b>	Valve, Air LACM, W/Solenoid .....	1			PTC .....	1
2	<b>28609</b>	Fitting, 1/4" NPT X 1/2" - 90' Tube		7	<b>28133</b>	Fitting 1/8" NPT X 1/4" Tube PTC ....	1
		PTC .....	2	8	<b>14439</b>	Bracket, QR .....	1
3	<b>28137</b>	Fitting 1/4" NPT X 3/8" Tube			<b>31306</b>	Bracket, LACM, QR,	
		PTC .....	2			R8 Valves .....	1
4	<b>33290</b>	Fitting 1/2" NPT X 1/2" Tube		9	<b>15057</b>	HHCS, 5/16-18 X 1.25, GR8, ZN .....	2
		PTC .....	2	10	<b>19348</b>	Nut, 5/6-18 .....	2
5	<b>33288</b>	Fitting 3/8" NPT X 3/8" Tube		11	<b>19068</b>	Washer, Flat, 5/16 .....	2
		PTC .....	2				

WHEN ORDERING PARTS, SPECIFY MODEL NUMBER, SERIAL NUMBER AND DESCRIPTION OF PARTS REQUIRED

	<h2>LACM VALVE ASSY</h2>	DATE: Released 01-2016	<b>GROUP</b>  <h1>12</h1>
		MODEL: FD	
		PAGE: 12.2	

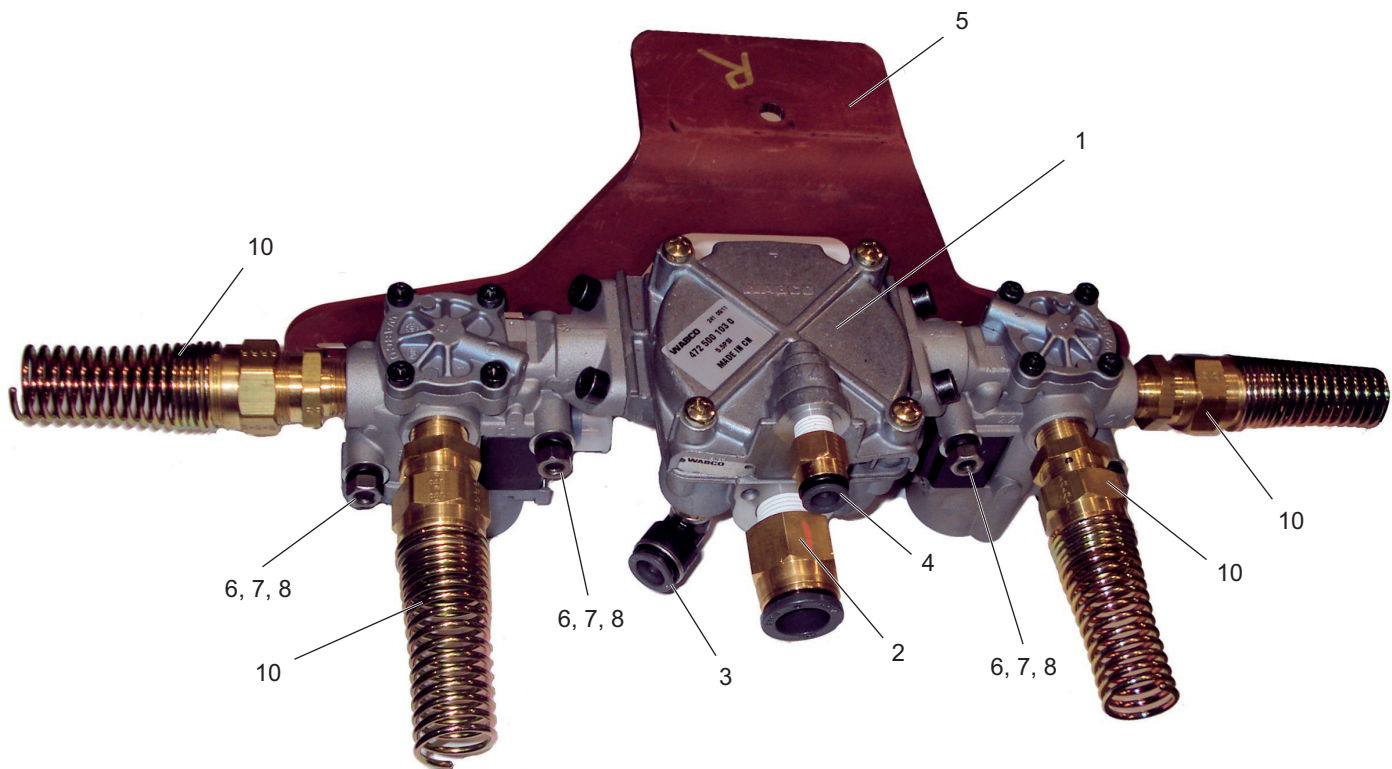


REF	PART NO.	DESCRIPTION	QTY	REF	PART NO.	DESCRIPTION	QTY
	33472	Brake R8 Relay Valve ASSY. MY12					
1	16802	Valve, Air, Relay, R8	0-4	5	12923	3/8 NPT Plug	2
2	14439	Bracket, QR Valve	1	6	12924	1/2 NPT Plug	1
3	30448	Fitting 1/2" NPT X 3/4" Tube PTC	1	7	33403	Hose Air, 1/2" (271-8)	21.5
4	33298	Tee, Branch 3/8" NPT X 3/8" X 3/8" Tube PTC	1	8	33402	FTG, Spring Guard, 1/2" Hose X 3/8" NP	4
	33288	Fitting 3/8" NPT X 3/8" Tube PTC	1	9	15057	HHCS, 5/16-18 X 1.25, GR8, ZN	2
				10	19348	Nut, 5/6-18	2

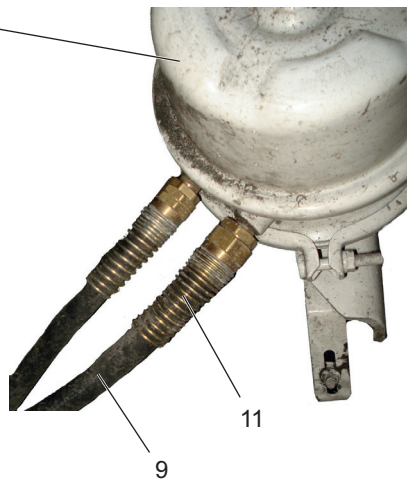
WHEN ORDERING PARTS, SPECIFY MODEL NUMBER, SERIAL NUMBER AND DESCRIPTION OF PARTS REQUIRED

	<h2>BRAKE R8 RELAY VALVE</h2>	DATE: Released 01-2016	<b>GROUP</b>  <h1>12</h1>
		MODEL: FD	
		PAGE: 12.3	





REAR TANDEM  
BRAKE  
CHAMBER

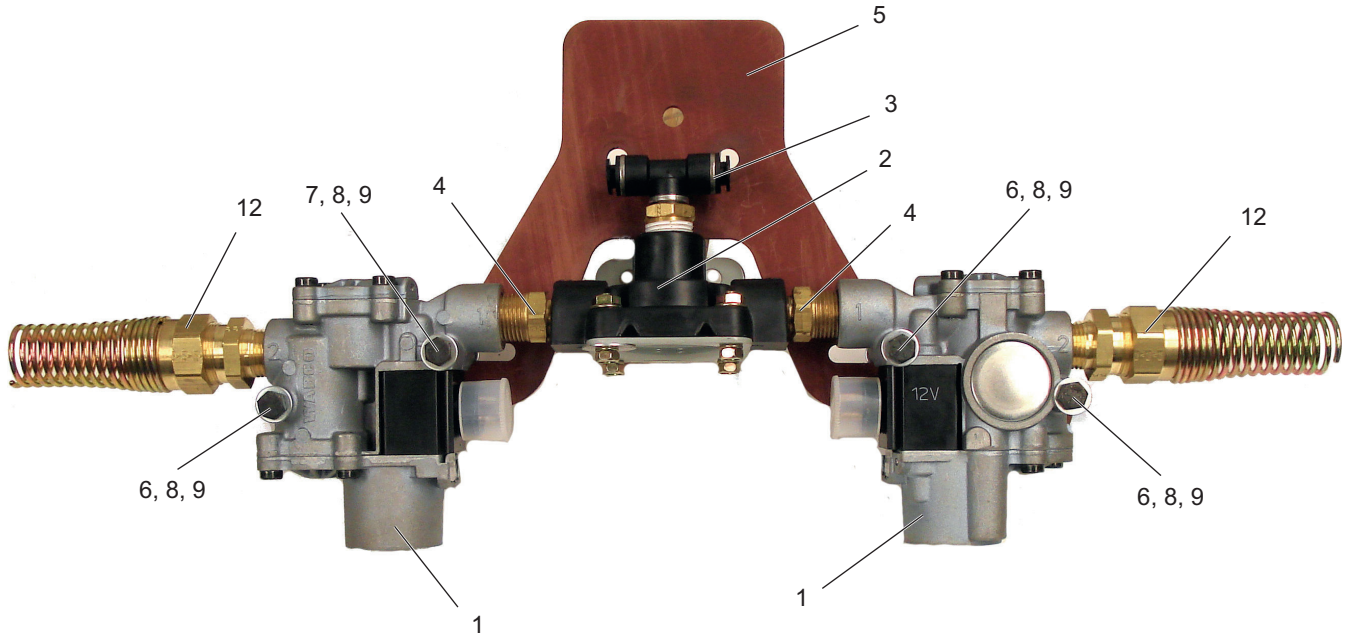


REF	PART NO.	DESCRIPTION	QTY	REF	PART NO.	DESCRIPTION	QTY
	33470	ABS Valve Rear ASSY. MY12					
1	33499	Valve, Air, ABS, Rear Modulator, MY12.....	1	7	19348	Nut, Lock, 5/16-18 .....	4
2	30448	Fitting 1/2" NPT X 3/4" Tube PTC....	1	8	19068	Washer, Flat, 5/16 .....	4
3	28606	Elbow 3/8" NPT X 1/2" - 90' Tube PTC .....	1	9	33403	Hose Air, 1/2" (271-8) .....	18
4	28137	Fitting 1/4" NPT X 3/8" Tube PTC....	1	10	33402	FTG, Spring Guard, 1/2" Hose X 3/8" NPT .....	4
5	20682	Bracket, ABS, Mount, W/Bend.....	1	11	33401	FTG, Spring Guard, 1/2" Hose X 1/2" NPT .....	4
6	19236	Bolt, HHCS, 5/16"-18 X 3", PF, GR8 .....	4				

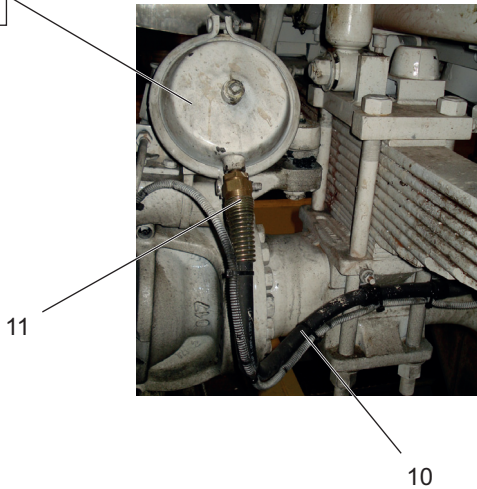
WHEN ORDERING PARTS, SPECIFY MODEL NUMBER, SERIAL NUMBER AND DESCRIPTION OF PARTS REQUIRED

	<h2>ABS VALVE, REAR</h2>	DATE: Released 01-2016	<b>GROUP</b>  <h1>12</h1>
		MODEL: FD	
		PAGE: 12.4	





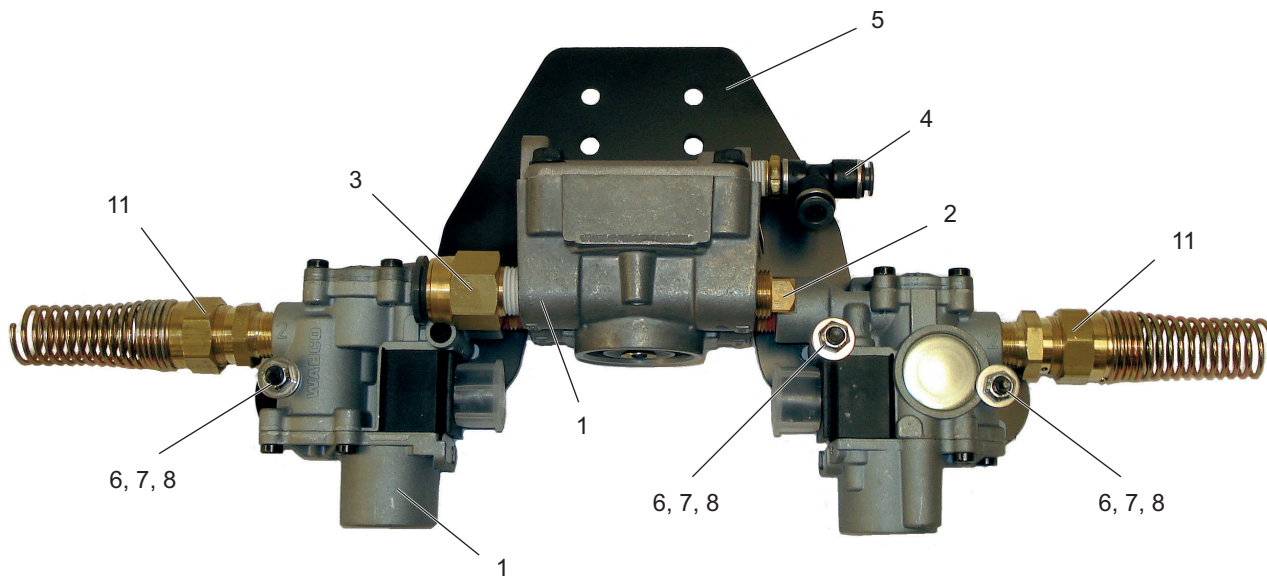
BRAKE CHAMBER  
ON FRONT AXLE



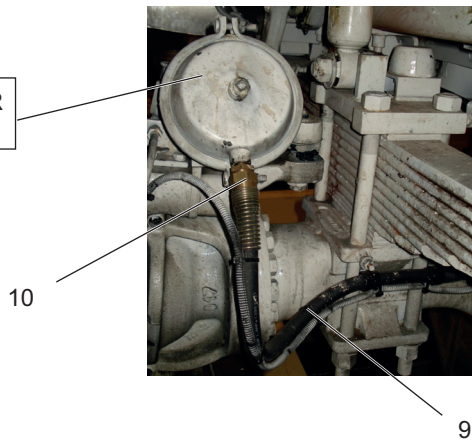
REF	PART NO.	DESCRIPTION	QTY	REF	PART NO.	DESCRIPTION	QTY
	33471	ABS Valve Front ASSY. MY12					
1	33500	Valve, ABS FT Modulator, MY12 .....	2	7	14067	Bolt, HHCS, 5/16"-18 X 3.5", PF, GR8 .....	1
2	30278	Valve, Air, Quick Release, (1 PSI)...	1	8	19348	Nut, Lock, 5/16-18 .....	4
3	33299	Tee, Branch 1/2" NPT X 1/2" X 3/8" Tube PTC.....	1	9	19068	Washer, Flat, 5/16.....	4
4	20267	FTG, Nipple, HEX, 1/2" X 3/8" .....	2	10	33403	Hose Air, 1/2" (271-8).....	11
5	20681	BRKT, ABS Valve MNT, Straight .....	1	11	33402	FTG, Spring Guard, 1/2" Hose X 3/8" NPT .....	2
6	19236	Bolt, HHCS, 5/16"-18 X 3", PF, GR8 .....	3	12	33401	FTG, Spring Guard, 1/2" Hose X 1/2" NPT .....	2

WHEN ORDERING PARTS, SPECIFY MODEL NUMBER, SERIAL NUMBER AND DESCRIPTION OF PARTS REQUIRED

	<h2>ABS VALVE, FRONT</h2>	DATE: Released 01-2016	<b>GROUP</b>  <h1>12</h1>
		MODEL: FD	
		PAGE: 12.5	



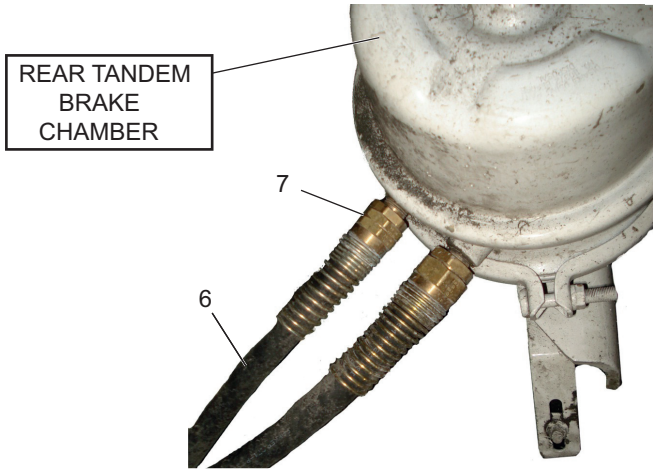
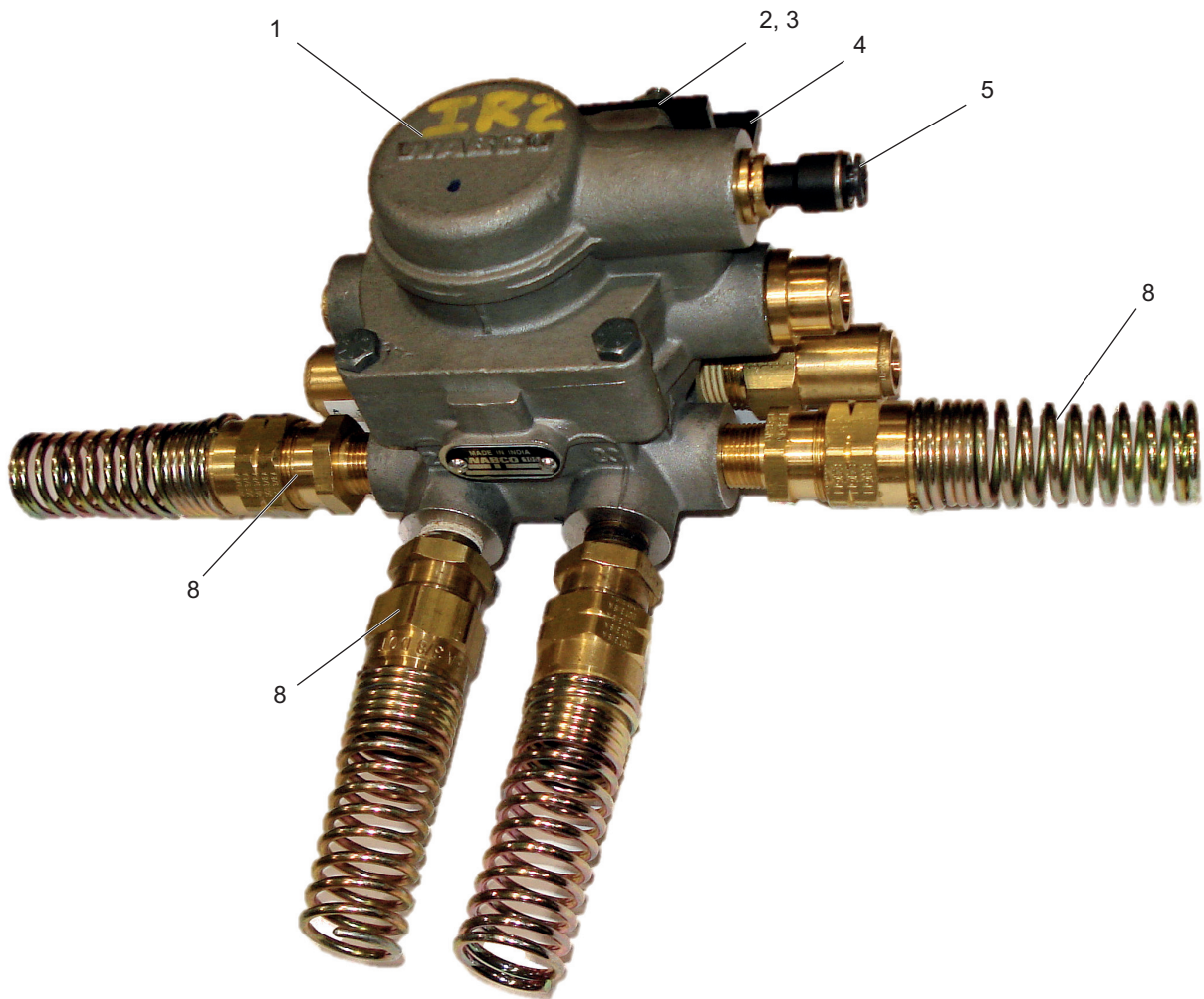
**BRAKE CHAMBER  
ON FRONT AXLE**



<u>REF</u>	<u>PART NO.</u>	<u>DESCRIPTION</u>	<u>QTY</u>	<u>REF</u>	<u>PART NO.</u>	<u>DESCRIPTION</u>	<u>QTY</u>
	34171	ASSY, Valve, ABS, Front, Relay, MY13					
1	34118	Valve, ABS, FT, Relay, MY13 .....	1	7	19348	Nut, Lock, 5/16-18.....	3
2	12924	FTG, Male, Pipe, 1/2" NPT, Brass ...	1	8	19068	Washer, Flat, 5/16 .....	3
3	33286	Elbow 1/2" NPT X 3/4" - 45'		9	33403	Hose Air, 1/2" (271-8).....	11
		Tube PTC.....	1	10	33402	FTG, Spring Guard, 1/2" Hose X 3/8" NPT .....	2
4	34443	Tee, Run 3/8" NPT X 1/2" X 3/8"		11	33401	FTG, Spring Guard, 1/2" Hose X 1/2" NPT.....	2
		Tube PTC.....	1				
5	34170	BRKT, ABS Valve, MY13.....	1				
6	19236	Bolt, HHCS, 5/16"-18 X 3", PF, GR8 .....	3				

WHEN ORDERING PARTS, SPECIFY MODEL NUMBER, SERIAL NUMBER AND DESCRIPTION OF PARTS REQUIRED

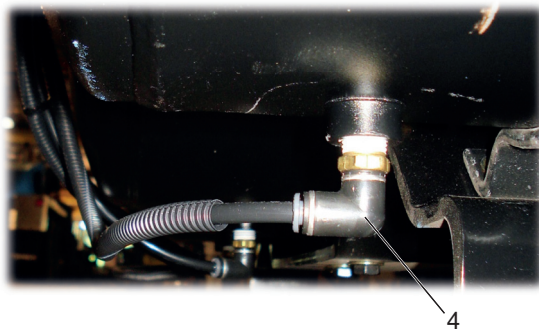
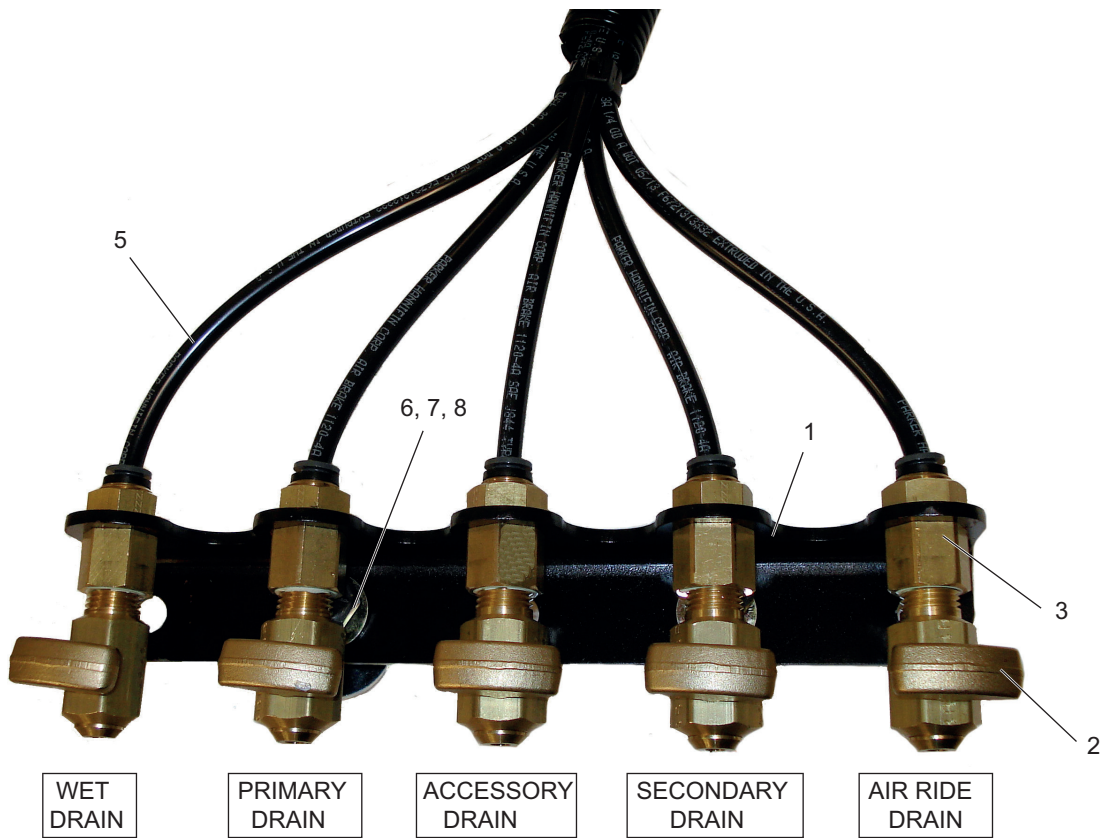
	<h2>ABS VALVE, FRONT, RELAY</h2>	DATE: Released 01-2016	<b>GROUP 12</b>
		MODEL: FD	
		PAGE: 12.6	



REF	PART NO.	DESCRIPTION	QTY	REF	PART NO.	DESCRIPTION	QTY
	33469	IR-2 Inversion Valve ASSY					
1	32966	IR-2 Inversion Relay Valve .....	1	6	15730	Hose Air, 3/8" (271-6).....	18.5
2	32043	Nut, M8-1.25.....	2	7	17655	FTG, Spring Guard	
3	32044	Washer, Flat, M8 .....	2			1/2" NPT X 3/8" Hose.....	4
4	14439	Bracket, QR Valve .....	1	8	17657	FTG, Spring Guard	
5	28927	FTG, PTC, Reducer, 3/8"M X 1/4"F Tube .....	1			3/8" NPT X 3/8" Hose.....	4

WHEN ORDERING PARTS, SPECIFY MODEL NUMBER, SERIAL NUMBER AND DESCRIPTION OF PARTS REQUIRED

	<h2>IR-2 INVERSION VALVE</h2>	DATE: Released 01-2016	<b>GROUP</b>  <h1>12</h1>
		MODEL: FD	
		PAGE: 12.7	



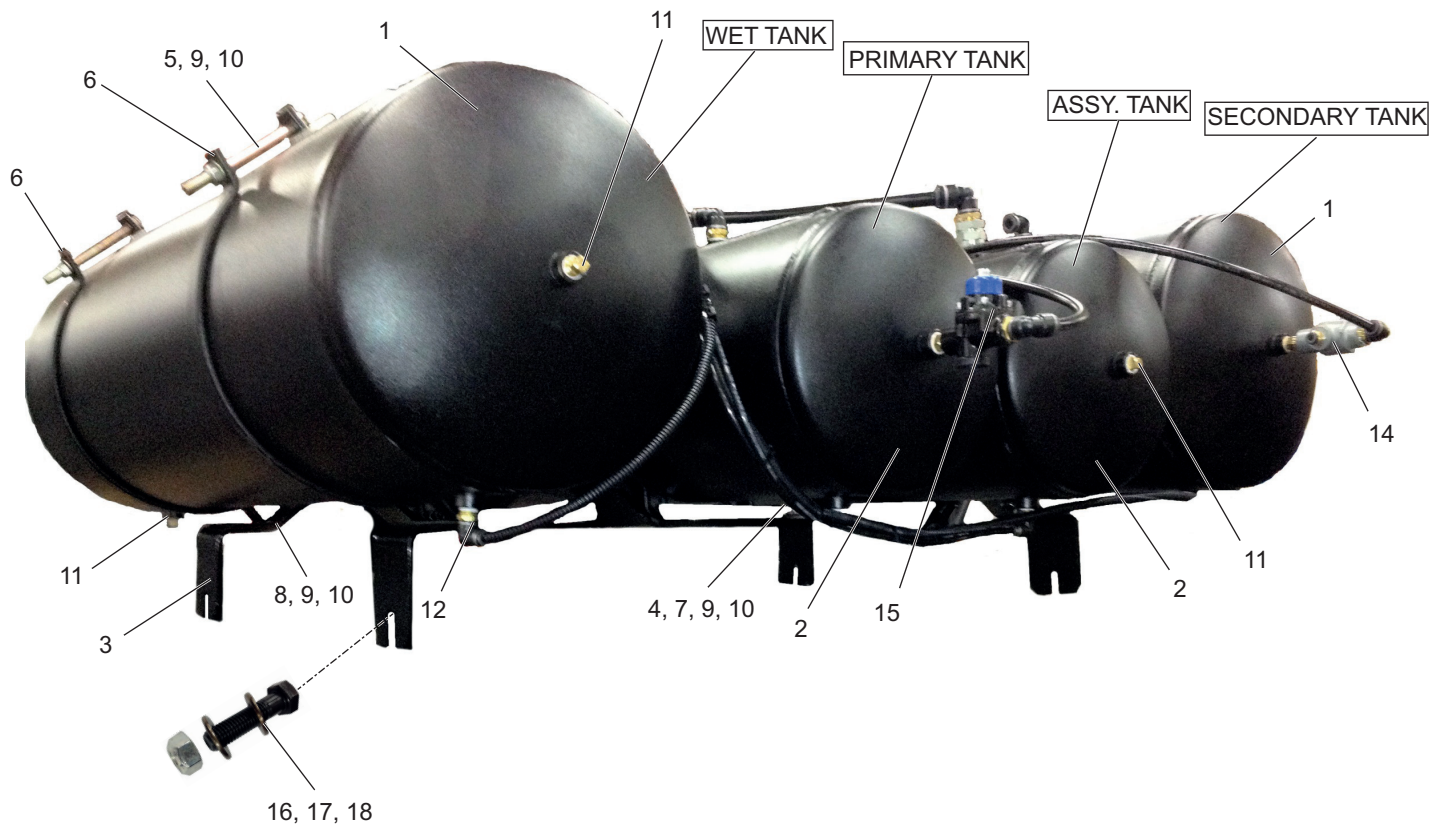
BOTTOM VIEW OF AIR TANK

REF	PART NO.	DESCRIPTION	QTY	REF	PART NO.	DESCRIPTION	QTY
	33812	Air Tank Drain ASSY. MY12					
1	33813	Bracket, Remote Air Drain, MY12....	1	5	15347	Tubing, Air, 1/4"	20FT
2	33814	Air, Drain Cock Valve, Dot .....	4-5	6	19107	HHCS, 3/8-16 X 1.25" GR 8, ZP18.5 .....	2
3	33815	FTG, BLKHD, 1/4" NPT Female X 1/4" Tube, PTC .....	4-5	7	19353	Nut, Lock, 3/8-16 GR 8, ZP .....	2
4	28143	Elbow 1/4" NPT X 1/4" - 90' Tube PTC.....	4-5	8	19045	Washer, Flat, 3/8, ZP .....	2

WHEN ORDERING PARTS, SPECIFY MODEL NUMBER, SERIAL NUMBER AND DESCRIPTION OF PARTS REQUIRED

	<h2>AIR TANK DRAIN ASSY</h2>	DATE: Released 01-2016	<b>GROUP</b>  <span style="font-size: 2em;">12</span>
		MODEL: FD	
		PAGE: 12.8	

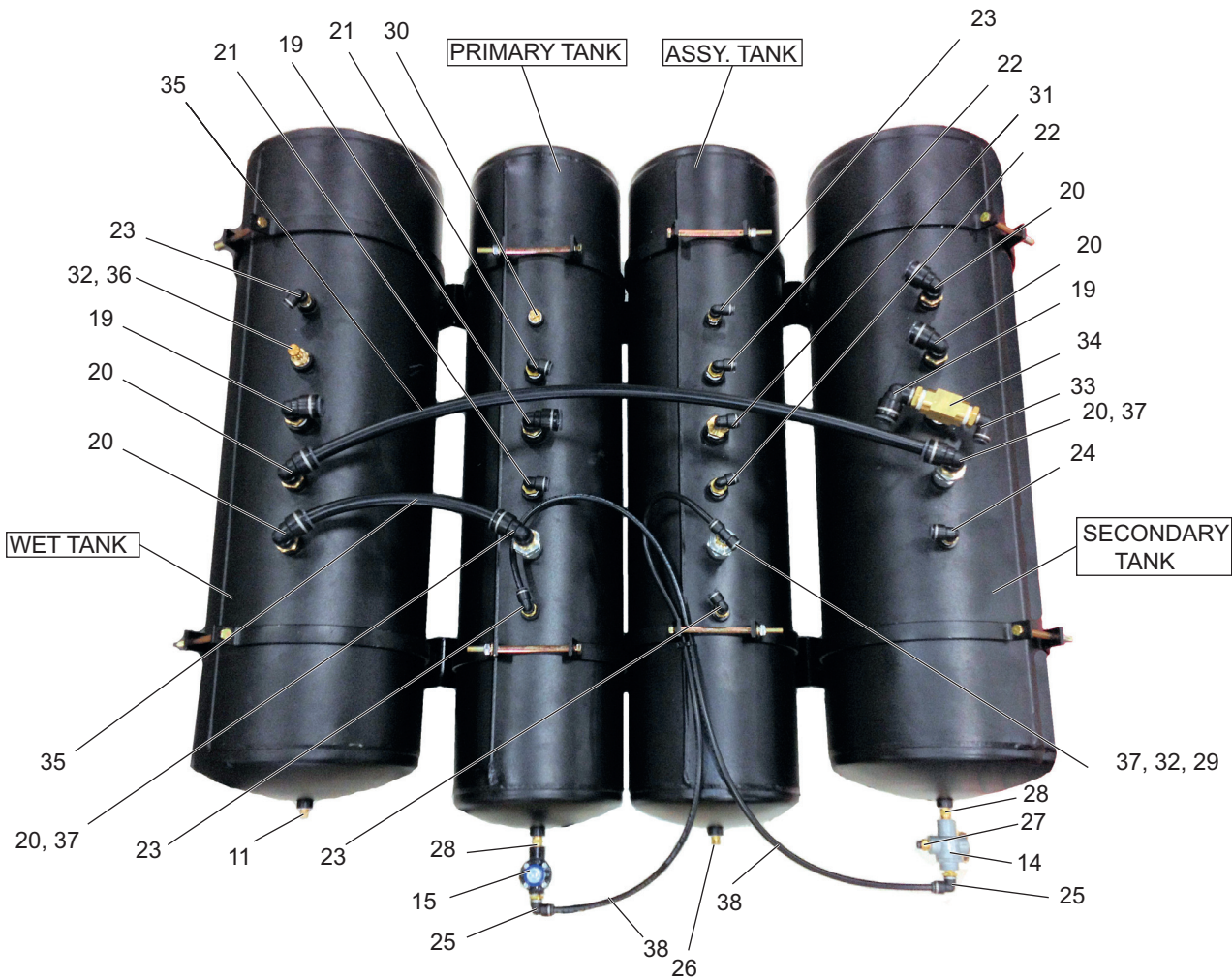




REF	PART NO.	DESCRIPTION	QTY	REF	PART NO.	DESCRIPTION	QTY
	33280	<i>Air Tank Assembly, MY12</i>					
1	32962	Tank, Air, 12 X 40, 4282 CI .....	2	11	12922	1/4 NPT Plug .....	7
2	32963	Tank, Air, 9.5 X 40, 2731 CI .....	2	12	28143	Elbow 1/4" NPT X 1/4" - 90' Tube	
3	32971	Bracket, Frame, Air Tank, MY12 ....	2			PTC .....	4-5
4	33266	Bracket, 9.5", Air Tank, MY12 .....	8	13	38812	Air Drain ASSY, MY12 .....	1
5	33620	HHCS, 3/8-16 X 6.5" Gr 8, ZP .....	4	14	16800	Check Valve, Double, Air .....	2
6	33267	Bracket, 12.0", Air Tank, MY12 .....	8	15	14658	Valve, Air, Pres. Protection, (80 PSI).....	1
7	33621	HHCS, 3/8-16 X 4.5" GR 8, ZP .....	4	16	19116	HHSC, 1/2-13 X 2.0", GR 8, ZP.....	4
8	19107	HHCS, 3/8-16 X 1.25" GR 8, ZP ....	16	17	19354	Nut, Lock, 1/2-13 GR 8, ZP.....	4
9	19353	Nut, Lock, 3/8-16 GR 8, ZP .....	24	18	33861	Washer, Flat, 1/2, ZP .....	8
10	19405	Washer, Flat, 3/8, ZP .....	24				

WHEN ORDERING PARTS, SPECIFY MODEL NUMBER, SERIAL NUMBER AND DESCRIPTION OF PARTS REQUIRED

	<h2>AIR TANK ASSEMBLY</h2>	DATE: Released 01-2016	<b>GROUP</b>  <span style="font-size: 2em;"><b>12</b></span>
		MODEL: FD	
		PAGE: 12.9	

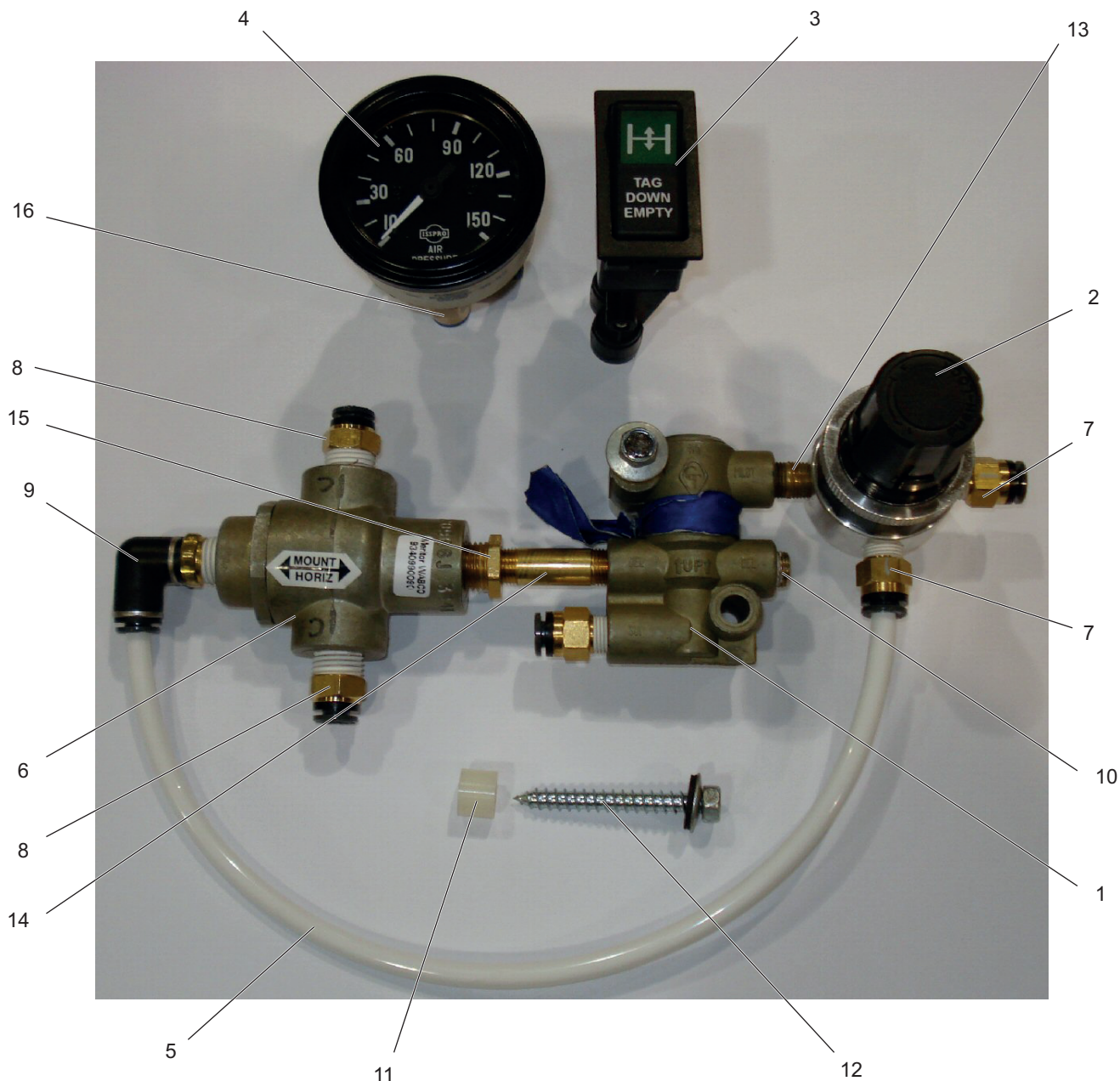


REF	PART NO.	DESCRIPTION	QTY	REF	PART NO.	DESCRIPTION	QTY
	33280	<i>Air Tank Assembly, MY12 (Contd.)</i>					
19	33287	FTG, 3/4 NPT X 3/4 Tube, 90° PTC....3	3	31	33652	Elbow 3/4" NPT X 1/2"-90' Tube PTC.....1	1
20	30446	FTG, 1/2 NPT X 3/4 Tube, 90° PTC....6	6	32	12980	1/2 NPT X 1/4 NPT Reducer.....2	2
21	23688	FTG, 1/2 NPT X 1/2 Tube, 90° PTC....2	2	33	33652	Elbow 3/4" NPT X 1/2" - 90' Tube PTC.....1	1
22	33283	FTG, 1/2 NPT X 3/8 Tube, 90° PTC....2	2	34	34466	Tee, 3/4" Brass.....1	1
23	23689	FTG, 3/8 NPT X 3/8 Tube, 90° PTC....4	4	35	15350	Tube, Air, 3/4" .....5FT	5
24	28606	FTG, 3/8 NPT X 1/2 Tube, 90° PTC....1	1	36	16786	Pop Off (150 PSI).....1	1
25	28091	FTG, 1/4 NPT X 3/8 Tube, 90° PTC....2	2	37	16788	Check Valve, Air, 1/2" NPT .....3	3
26	28143	FTG, 1/4 NPT X 1/4 Tube, 90° PTC....1	1	38	15348	Tube, Air, 3/8.....10FT	10
27	29292	FTG, 1/4 NPT X 1/4 Tube, ST. PTC....1	1				
28	13026	FTG, 1/4 NPT X 1/4 NPT .....2	2				
29	33291	Tee, 1/4 NPT X 3/8 Tube X 1/4 Tube..1	1				
30	12923	3/8 NPT Plug .....1	1				

WHEN ORDERING PARTS, SPECIFY MODEL NUMBER, SERIAL NUMBER AND DESCRIPTION OF PARTS REQUIRED

	<h2>AIR TANK ASSEMBLY</h2>	DATE: Released 01-2016	<b>GROUP</b>  <h1>12</h1>
		MODEL: FD	
		PAGE: 12.10	

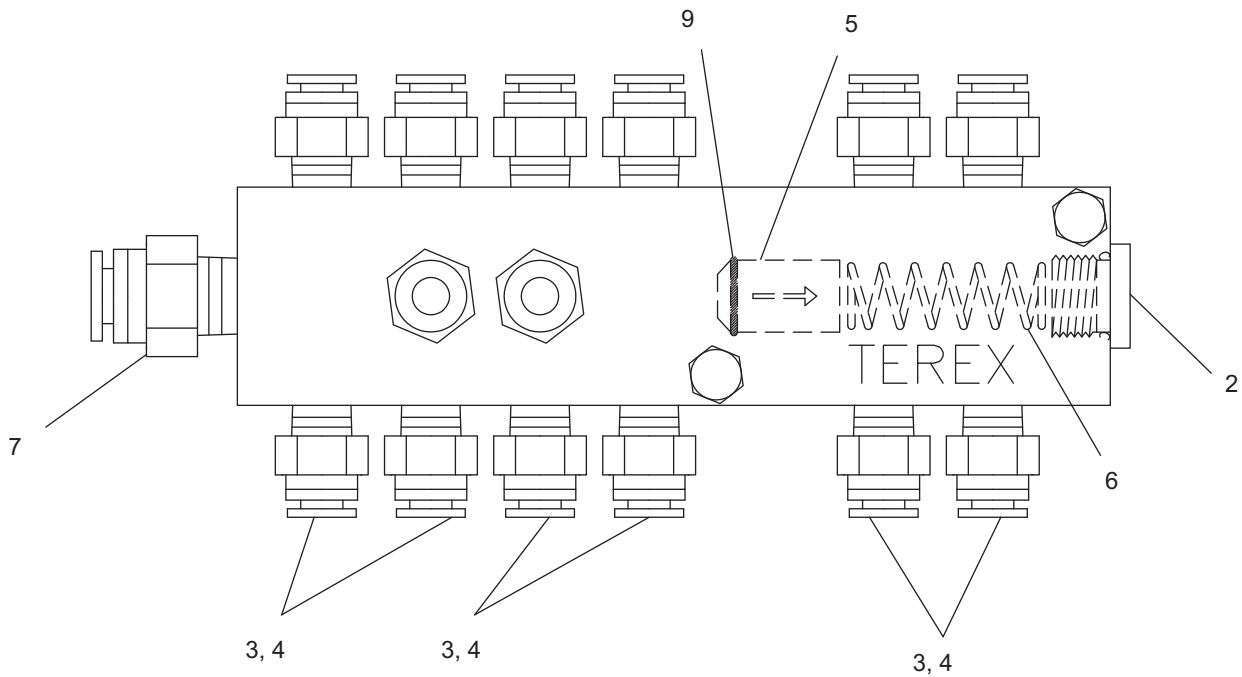
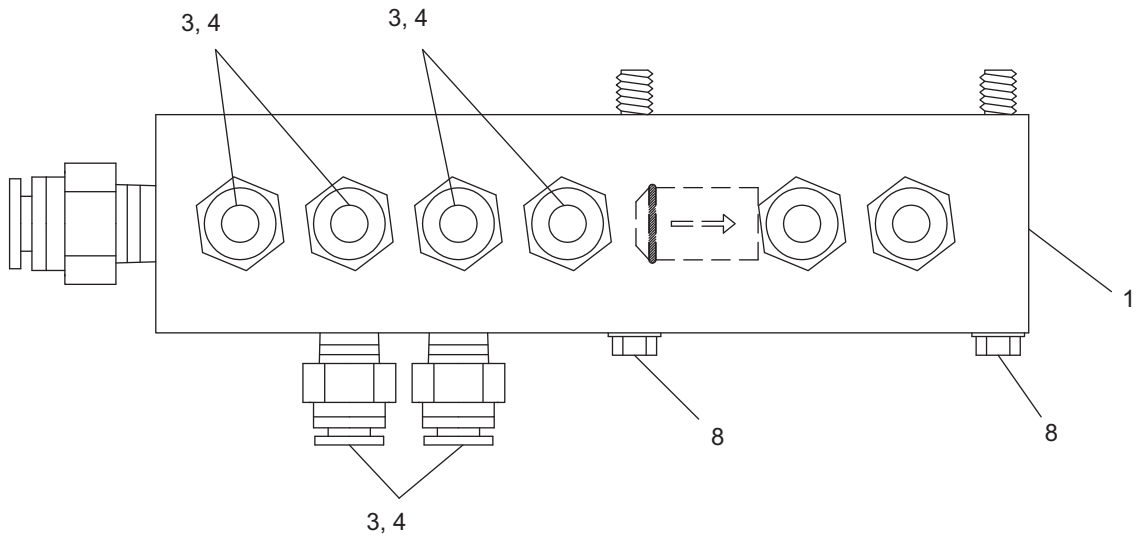




REF	PART NO.	DESCRIPTION	QTY	REF	PART NO.	DESCRIPTION	QTY
	31354	TAG Down Empty Option					
1	30028	Valve, Inversion .....	1	10	28134	Plug, 1/8" NPT, VIBRA Seal.....	1
2	13578	Regulator, Air.....	1	11	30141	Spacer, Nylon, 1/2"OD X 1/4"ID X 3/8" .....	2
3	28684	Switch, Air, Tag Down Empty.....	1	12	30044	Screw, WETGD, 14 X 2.0".....	2
4	11490	Gauge, Air, 0-150 PSI.....	1	13	15113	Pipe Nipple, 1/8" NPT, Close .....	1
5	15347	Tubing, Air, 1/4" .....	6	14	30963	Pipe Nipple, 1/8" NPT X 1.5" Brass. 1	
6	16800	Check, Double .....	1	15	12982	Reducer, 1/4" NPT X 1/8" NPT .....	1
7	28133	Fitting 1/8" NPT X 1/4" Tube PTC....	3	16	28110	Fitting, 1/8-27 NPT Female X 1/4"	
8	29292	Fitting 1/4" NPT X 1/4" Tube PTC....	2			Tube PTC .....	1
9	28143	Elbow 1/4" NPT X 1/4" - 90' Tube PTC .....	1				

WHEN ORDERING PARTS, SPECIFY MODEL NUMBER, SERIAL NUMBER AND DESCRIPTION OF PARTS REQUIRED

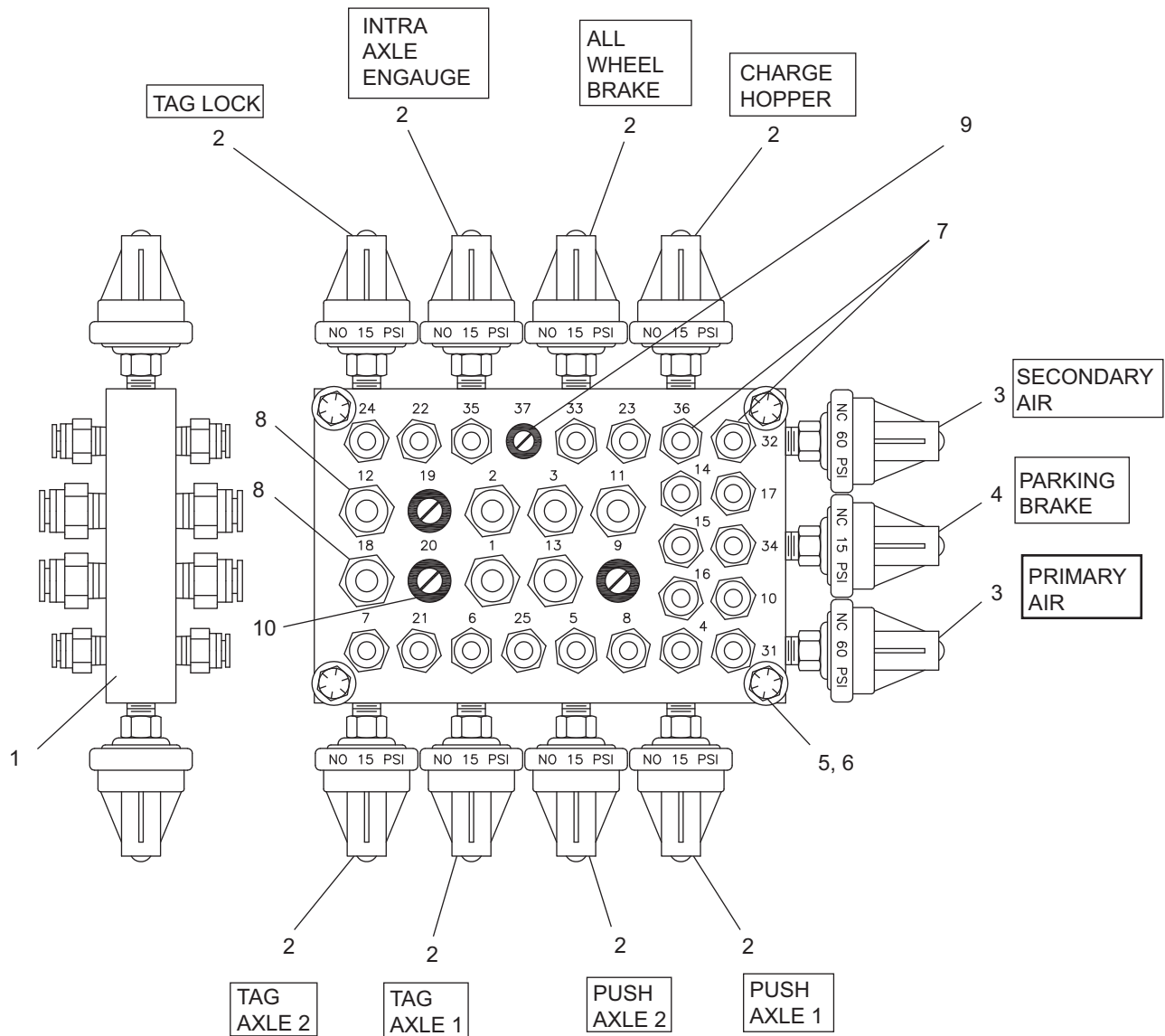
	<p><b>TAG DOWN EMPTY OPTION</b></p>	DATE: Released 01-2016	<p><b>GROUP</b> <b>12</b></p>
		MODEL: FD	
		PAGE: 12.11	



REF	PART NO.	DESCRIPTION	QTY	REF	PART NO.	DESCRIPTION	QTY
	<b>28025</b>	<i>Manifold ASSY, Air Distribution</i>					
1	<b>28006</b>	Manifold Air Distribution.....	1	6	<b>28136</b>	Spring.....	1
2	<b>28132</b>	Plug #6 SAE O-Ring Boss.....	1	7	<b>28137</b>	Fitting 1/4" NPTF X 3/8" Tube	
3	<b>28133</b>	Fitting 1/8" NPTF X 1/4" Tube				Push To CONN.....	1
		Push To CONN.....	4-14	8	<b>24425</b>	Screw Self Tap WETGD 14 X 2.5"	
4	<b>28134</b>	Plug 1/8" NPTF VIBRA Seal.....	0-10			BLK.....	2
5	<b>28135</b>	Check Valve.....	1	9	<b>28171</b>	O-Ring BUNA 70 DUR.....	1

WHEN ORDERING PARTS, SPECIFY MODEL NUMBER, SERIAL NUMBER AND DESCRIPTION OF PARTS REQUIRED

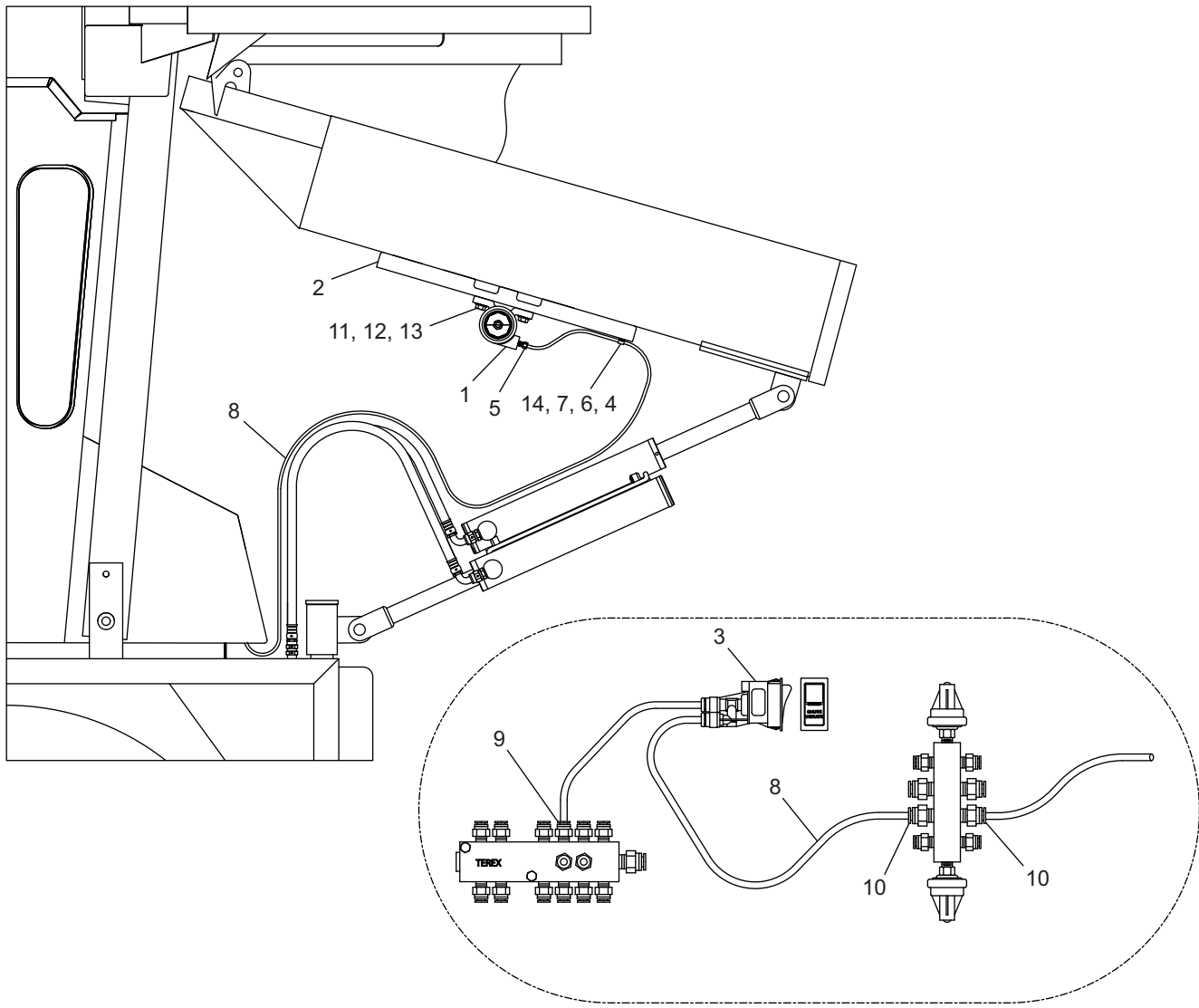
	<h2>AIR DISTRIBUTION MANIFOLD</h2>	DATE: Released 01-2016	<b>GROUP</b>  <h1>12</h1>
		MODEL: FD	
		PAGE: 12.12	



REF	PART NO.	DESCRIPTION	QTY	REF	PART NO.	DESCRIPTION	QTY
	<b>29091</b>	<i>Manifold ASSY, Air Switch / Bulkhead, 32 Port</i>					
1	28978	Manifold Air Switch / Bulkhead .....	1	7	28133	Fitting 1/8" NPTF X 1/4" Tube	
2	14242	Pressure Switch N.O. 15 PSI .....	1-9			Push To CONN .....	14-44
3	14277	Pressure Switch N.C. 60 PSI.....	2	8	<b>28137</b>	Fitting 1/4" NPTF X 3/8" Tube	
4	14243	Pressure Switch N.C. 15 PSI.....	1			Push To CONN .....	2-14
5	19053	Washer Flat 1/4" Zinc .....	4	9	29089	Plug, Plastic, 1/8" NPT.....	0-14
6	19061	HHS 1/4-20 X 3/4" GR.8 SS.....	4	10	29090	Plug, Plastic, 1/4" NPT.....	0-9

WHEN ORDERING PARTS, SPECIFY MODEL NUMBER, SERIAL NUMBER AND DESCRIPTION OF PARTS REQUIRED

	<b>AIR SWITCH/32 PORT, MANIFOLD</b>	DATE: Released 01-2016	<b>GROUP</b>  <b>12</b>
		MODEL: FD	
		PAGE: 12.13	



CONNECTIONS DETAIL INSIDE CAB

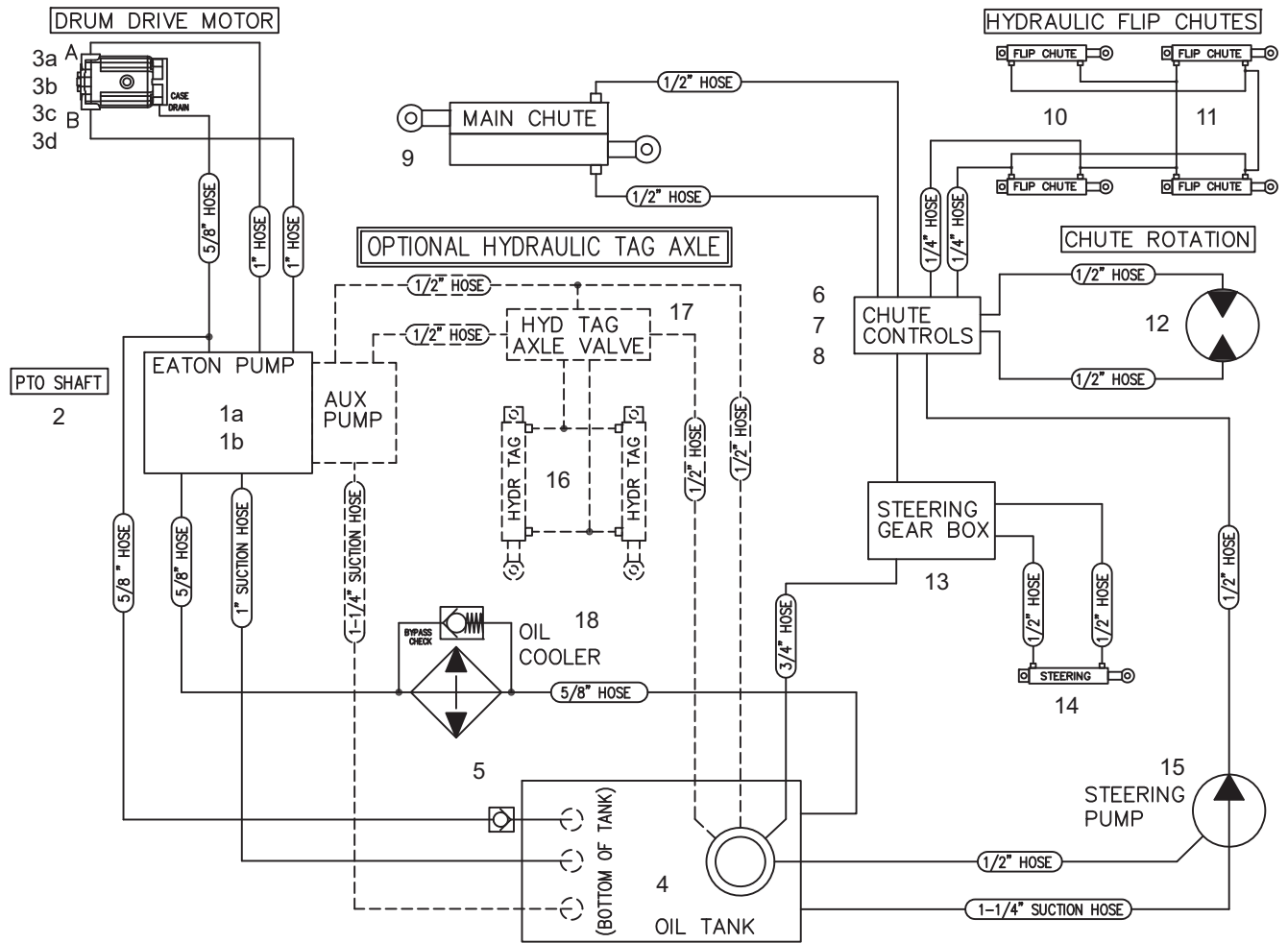
REF	PART NO.	DESCRIPTION	QTY	REF	PART NO.	DESCRIPTION	QTY
	31360	Assembly, Vibrator, Chute					
1	31355	Vibrator, Turbine, 500 LBS, 10.5 CFM .....	1	8	15347	Tube Air, 1/4", BLK.....	15
2	31359	Bracket, Vibrator .....	1	9	28133	Fitting 1/8" NPT X 1/4" Tube PTC....	1
3	28080	Switch, Rocker, (Air) Vibrator.....	1	10	29292	Fitting 1/4" NPT X 1/4" Tube PTC....	2
4	18772	Clamp, 1/4" RCB.....	1	11	19113	HHCS, 1/2-13 X 1.5", GR 8.....	2
5	11778	Fitting, 1/4" NPT X 1/4" Tube .....	1	12	19354	Nut, Lock, 1/2-13 .....	2
6	19127	HHCS, 1/4-20 X 1.0" .....	1	13	19093	Washer, Flat, 1/2".....	2
7	19352	Nut, Lock, 1/4-20 .....	1	14	19053	Washer, Flat, 1/4".....	1
				15*	22505	Tie Wrap, Cable Tie, 1/4" X 1/4" .....	5

\*ITEM 15 IS NOT SHOWN IN THE ILLUSTRATION

WHEN ORDERING PARTS, SPECIFY MODEL NUMBER, SERIAL NUMBER AND DESCRIPTION OF PARTS REQUIRED

	<h2>CHUTE VIBRATOR</h2>	DATE: Released 01-2016	<b>GROUP</b>  <h1>12</h1>
		MODEL: FD	
		PAGE: 12.14	

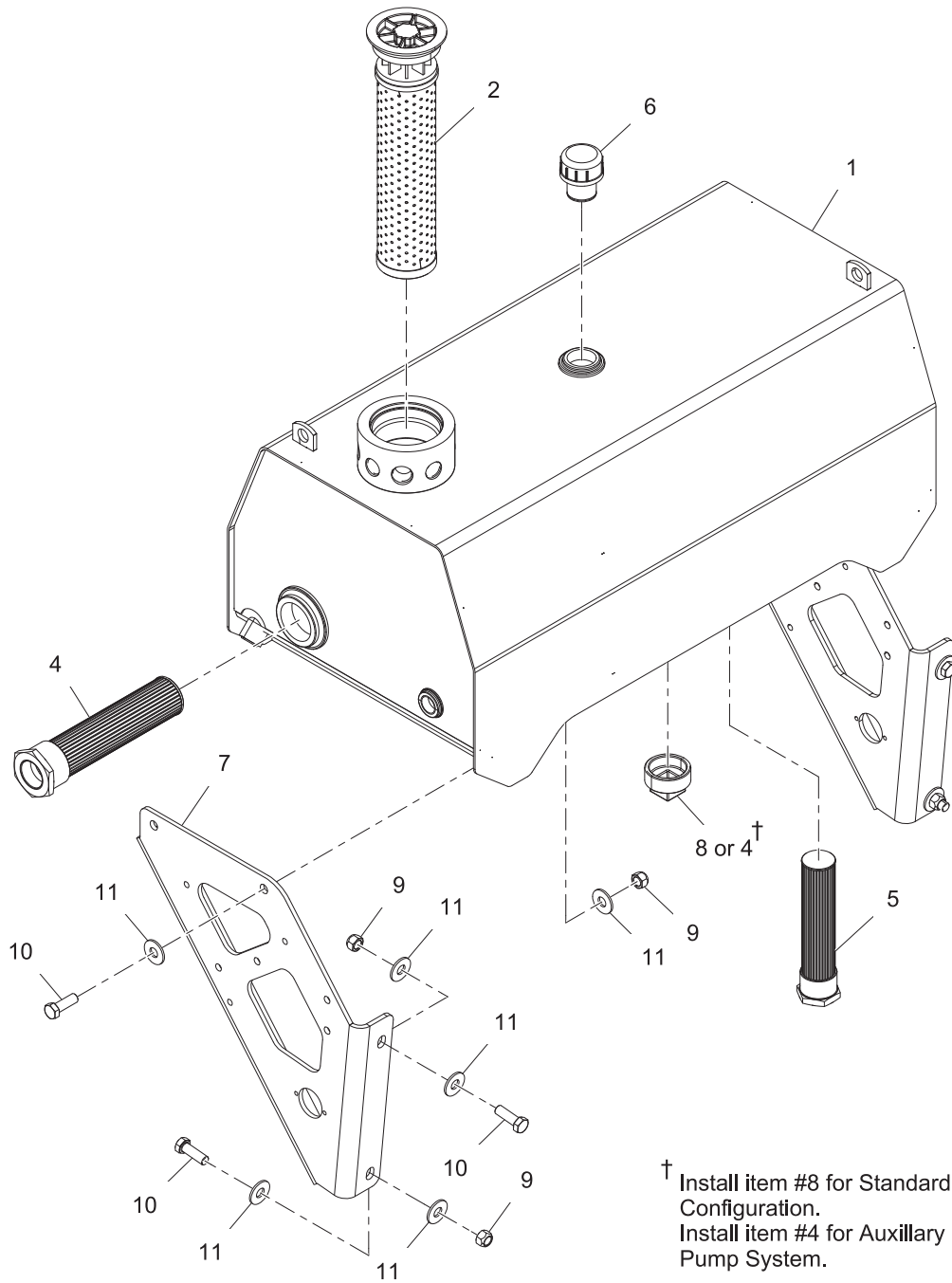
# HYDRAULIC SYSTEMS



REF	PART NO.	DESCRIPTION	REF	PART NO.	DESCRIPTION
1	29311	Pump, Hydrostatic, L.H. (CCW), 5.4, 1.50", RE	7	33437	Shield, ELEC/HYD, MY12
	29313	Pump, Hydrostatic, L.H. (CCW), 1.5", RE, AUX 2.14	8	33421	Bracket, ELECT/HYD, MY12
2	30201	Drive Shaft, PTO, 1410, ISX	9	12660	Cylinder, HYD Chute, Piggyback
	32312	Drive Shaft, PTO, 1410, DD13	10	31683	CYL, Chute Flip, Offset Ports
3	29318	Motor, Drum Drive, Eaton, 4.6 C.I.	11	16099	CYL, Chute, HYD, Fold Down
	29320	Motor, Drum Drive, Eaton, 4.6 C.I., CONSTNT SPD	12	33405	Motor, HYD Chute Swing, Waton, 5.9 CI
	29317	Motor, Drum Drive, Eaton, 5.4 C.I.	13	17479	Gear, Steering, TAS
	29319	Motor, Drum Drive, Eaton, 5.4 C.I., CONSTNT SPD	14	33709	ASSY, CYL, Steering, W/Sockets
4	29427	Kit, Reservoir, HYD, 22 Gallon	15	32231	Pump, STRG, 1.51CI, CCW, 7.5GPM, RLF, 11T
5	15434	Valve, Check, By-Pass, DC-750-25		31887	Pump, STRG, 1.94CI, CCW, 7.5GPM, RLF, 11T
6	24327	ASSY, Control Manifold, ELEC/HYD, 3-Spools	16	28151	Cylinder, Lift, TAG, ADV-5190
	31210	ASSY, Control Manifold, ELEC/HYDR, 2-Spools	17	32868	ASSY, Valve HYD TAG
			18	3S0133597100	Oil Cooler For Radiator 30290

WHEN ORDERING PARTS, SPECIFY MODEL NUMBER, SERIAL NUMBER AND DESCRIPTION OF PARTS REQUIRED





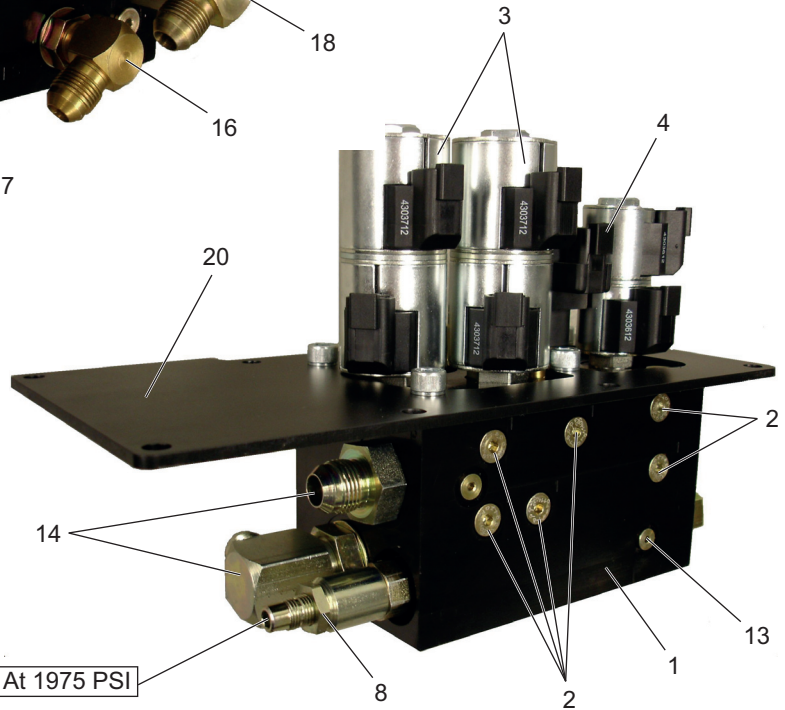
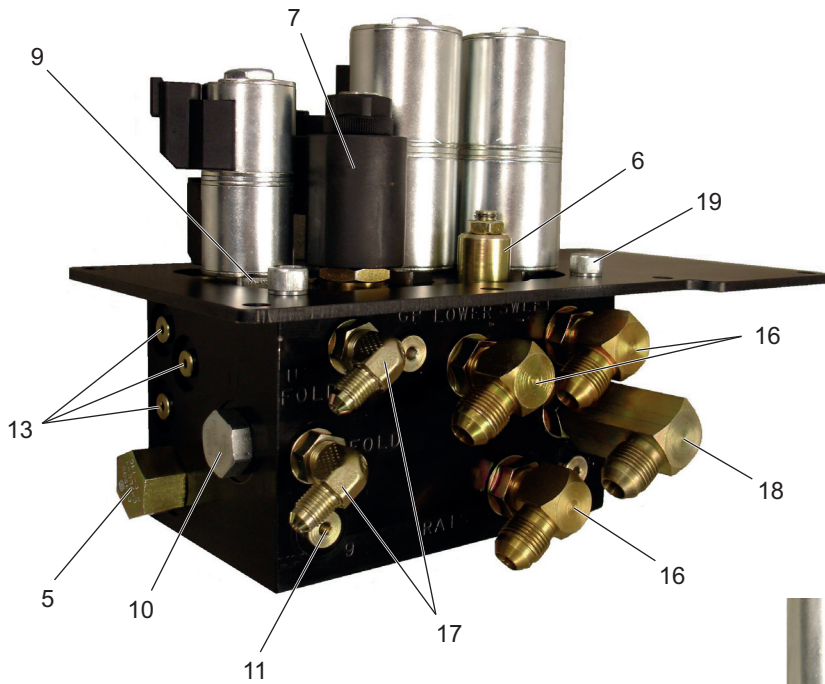
† Install item #8 for Standard Configuration.  
Install item #4 for Auxillary Pump System.

REF	PART NO.	DESCRIPTION	QTY	REF	PART NO.	DESCRIPTION	QTY
	29427	Kit, Reservoir, HYD, 22 GAL					
1	34907	Reservoir, HYD, 22 GAL .....	1	7	29482	Bracket, HYD Tank, Mount.....	2
2	29428	Filter, 10 MIC, 25 PSI .....	1	8	29436	Plug, 2" NPT .....	0-1
3*	29429	Switch, Pressure, No, 21 PSI .....	1	9	19354	Nut, Lock, 1/2"-13 .....	8
4	29430	Strainer, 2 X 1.25 NPT, 100 MESH ....	1	10	29604	HHCS, 1/2"-13 X 1.5 GR.8.....	4
5	17512	Strainer, 1.5 X 1.0 NPT, 100 MESH ...	1	11	29605	Washer, Flat, 1/2" .....	8
6	29431	Breather, 10 Micron .....	1				

\* ITEM 3 IS NOT SHOWN IN THE ILLUSTRATION

WHEN ORDERING PARTS, SPECIFY MODEL NUMBER, SERIAL NUMBER AND DESCRIPTION OF PARTS REQUIRED

	<h2>HYDRAULIC RESERVOIR</h2>	DATE: Released 01-2016	<b>GROUP</b>  <h1>13</h1>
		MODEL: FD	
		PAGE: 13.2	



REF	PART NO.	DESCRIPTION	QTY	REF	PART NO.	DESCRIPTION	QTY
24327/31210 Manifold ASSY, ELECT/HYD							
1	27050	Manifold.....	1	13	27062	Plug 1/8" SAE O-Ring #2.....	6
2	27051†	Check Valve Load Sense.....	6	14	27063	SAE-12 O-Ring Boss X -8	
	31212‡	Plug, Cavity, 2 Way, 02.....	2			Male JIC ST.....	2
3	27052	Valve 4-Way Proportional.....	2	15*	33437	Shield, ELECT/HYD, MY12.....	1
4	27053†	Valve 4-Way On/Off.....	1	16	27065	SAE-8 O-Ring Boss X -8	
	31211‡	Plug, Cavity, 4 Way, 08.....	1			Male JIC 90'.....	3
5	28828	Valve Logic Element 190#.....	1	17	27066†	SAE-6 O-Ring Boss X -4	
6	27055	Valve Counter Balance.....	1			Male JIC 90'.....	2
7	27056	Valve Solenoid N.O. Poppet.....	1		28132‡	Plug, #6 O-Ring Boss.....	2
8	27057	Valve Relief (Or Cavity Plug).....	1	18	27067	SAE-8 O-Ring Boss X -8	
9	27058	1/16" Orifice Plug (.043).....	1			Male JIC 90' Tall.....	1
10	27059	Valve PO Check 8 Size.....	1	19	27068	SHCS 3/8"-16 X 3/4 Zinc.....	4
11	27060	1/16" Orifice Plug (0.030).....	1	20	33421	Bracket ELECT/HYD	
12*	27061	Plug 1/4" SAE O-Ring #4.....	5			Manifold Mount.....	1

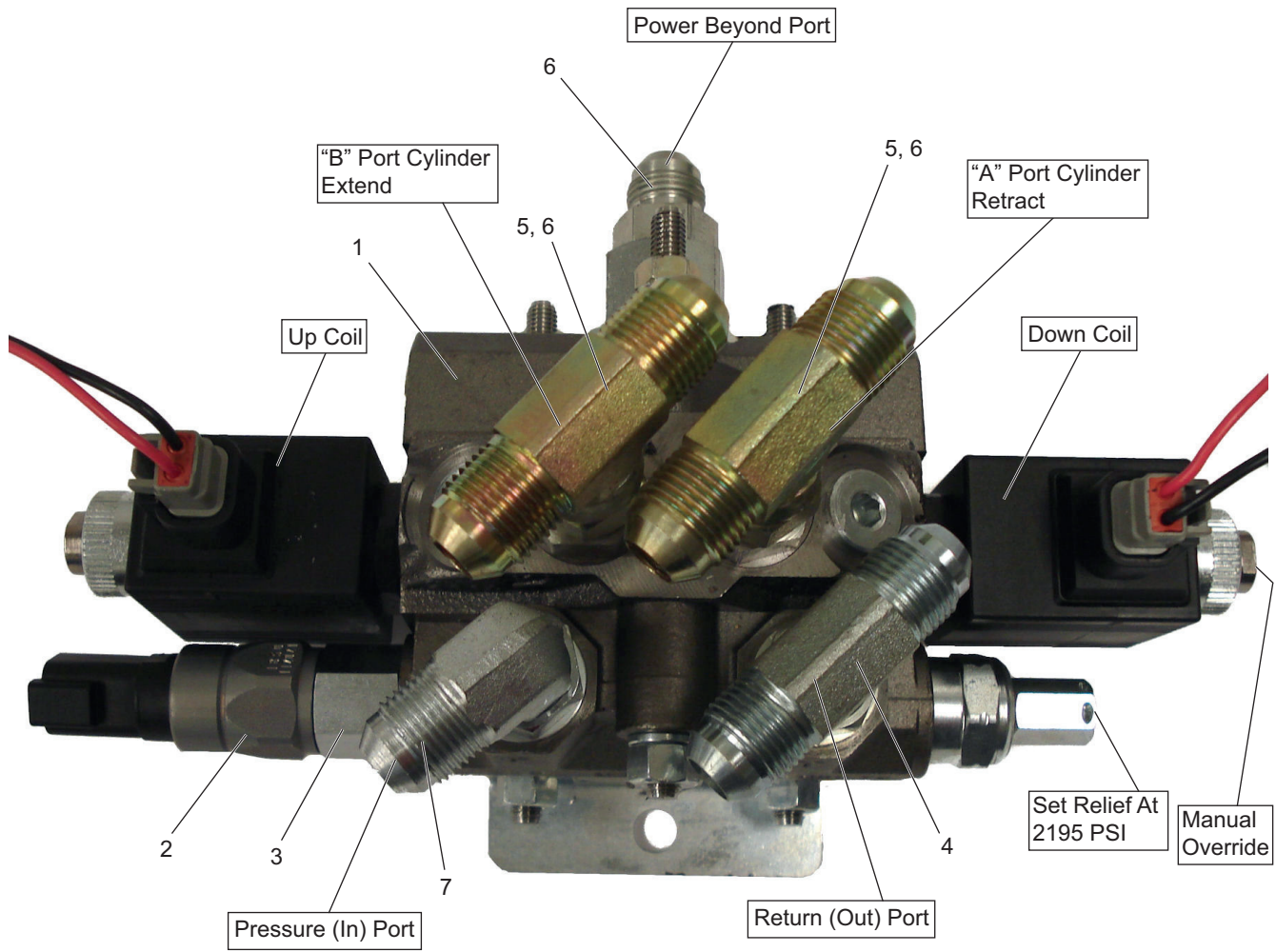
\* ITEMS 12 & 15 ARE NOT SHOWN IN THE ILLUSTRATION

† ITEMS ARE APPLICABLE FOR 3 SPOOLS ASSEMBLY 24327

‡ ITEMS ARE APPLICABLE FOR 2 SPOOLS ASSEMBLY 31210

WHEN ORDERING PARTS, SPECIFY MODEL NUMBER, SERIAL NUMBER AND DESCRIPTION OF PARTS REQUIRED

	<h2>HYDRAULIC MANIFOLD</h2>	DATE: Released 01-2016	<b>GROUP</b>  <b>13</b>
		MODEL: FD	
		PAGE: 13.3	



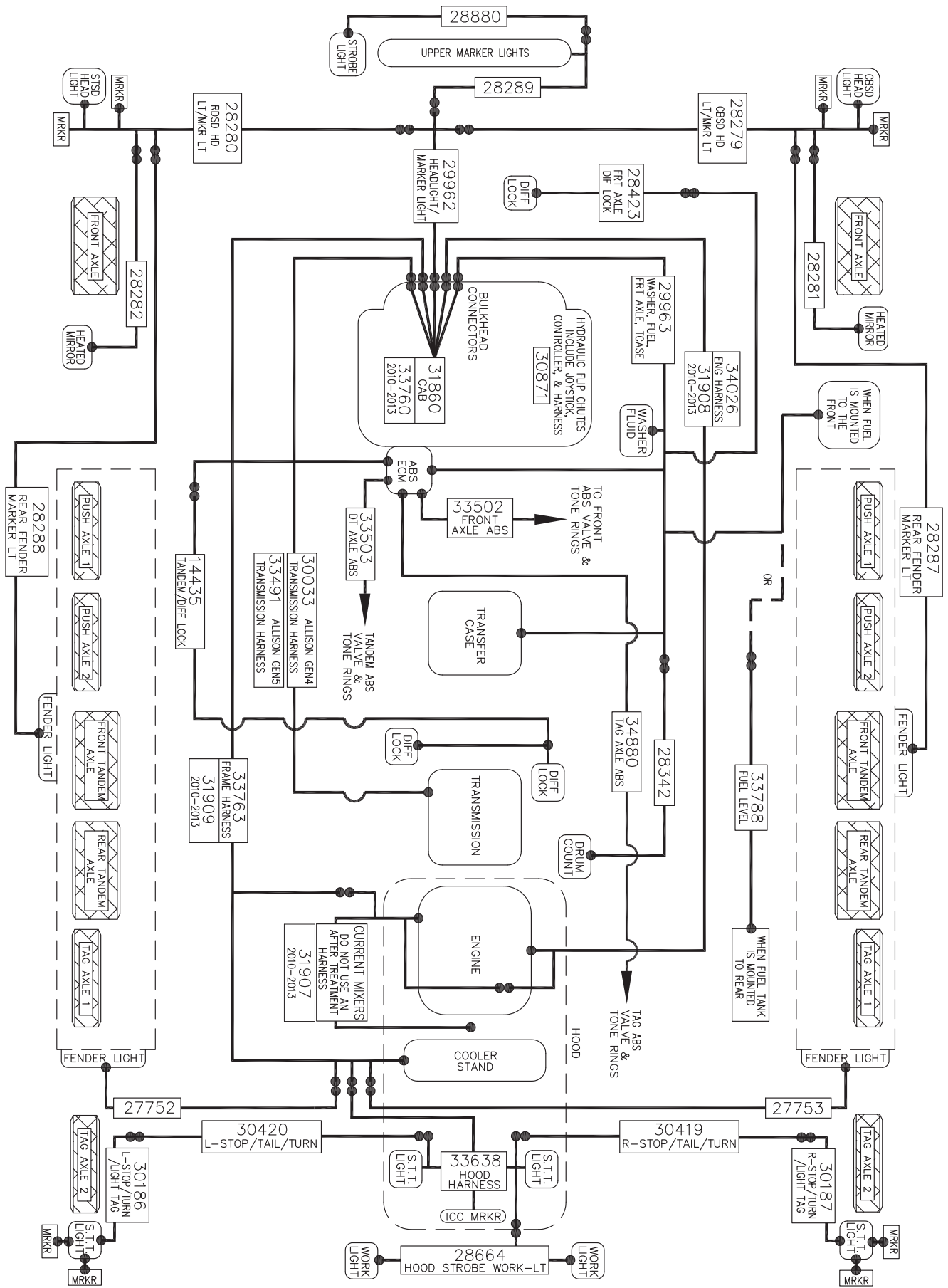
\*12V<sup>+ve</sup> must be connected to red wire.

REF	PART NO.	DESCRIPTION	QTY	REF	PART NO.	DESCRIPTION	QTY
	32868	Valve ASSY, HYD Tag, MY11					
1	32784	Valve, MS, PB, 12V SOL. Diode, Bucher, MY11.....	1	4	29203	Tee, -08 O-Ring X -08 JIC Male X -08 JIC Male.....	1
2	32877	Switch, Pressure, NC, HYD, 1850 PSI.....	1	5	29204	Tee, -08 JIC Female X -08 JIC Male X -08 JIC Male.....	2
3	32878	Adaptor, Reducer, -08 O-Ring X -06 O-Ring.....	1	6	12177	Adaptor, 08 O-Ring X 08 JIC ST.....	3
				7	12214	Adaptor, 08 O-Ring X 08 JIC 90°.....	1

WHEN ORDERING PARTS, SPECIFY MODEL NUMBER, SERIAL NUMBER AND DESCRIPTION OF PARTS REQUIRED

	<h2>HYDRAULIC TAG VALVE</h2>	DATE: Released 01-2016	<b>GROUP</b>  <h1>13</h1>
		MODEL: FD	
		PAGE: 13.4	

# ELECTRICALS



WHEN ORDERING PARTS, SPECIFY MODEL NUMBER, SERIAL NUMBER AND DESCRIPTION OF PARTS REQUIRED



## WIRING HARNESS, ISX

DATE: Released 01-2016

MODEL: FD

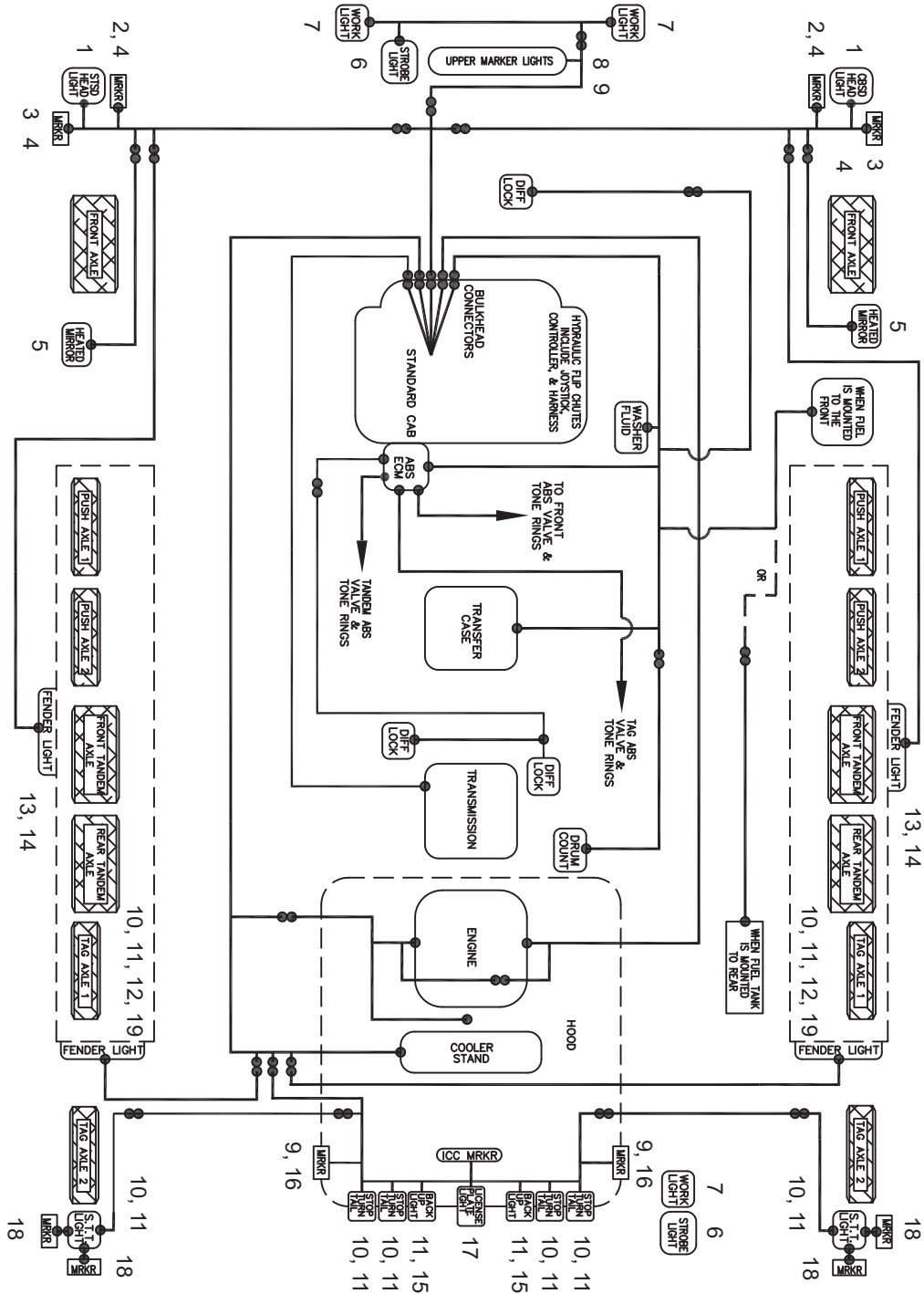
PAGE: 14.1

GROUP

14





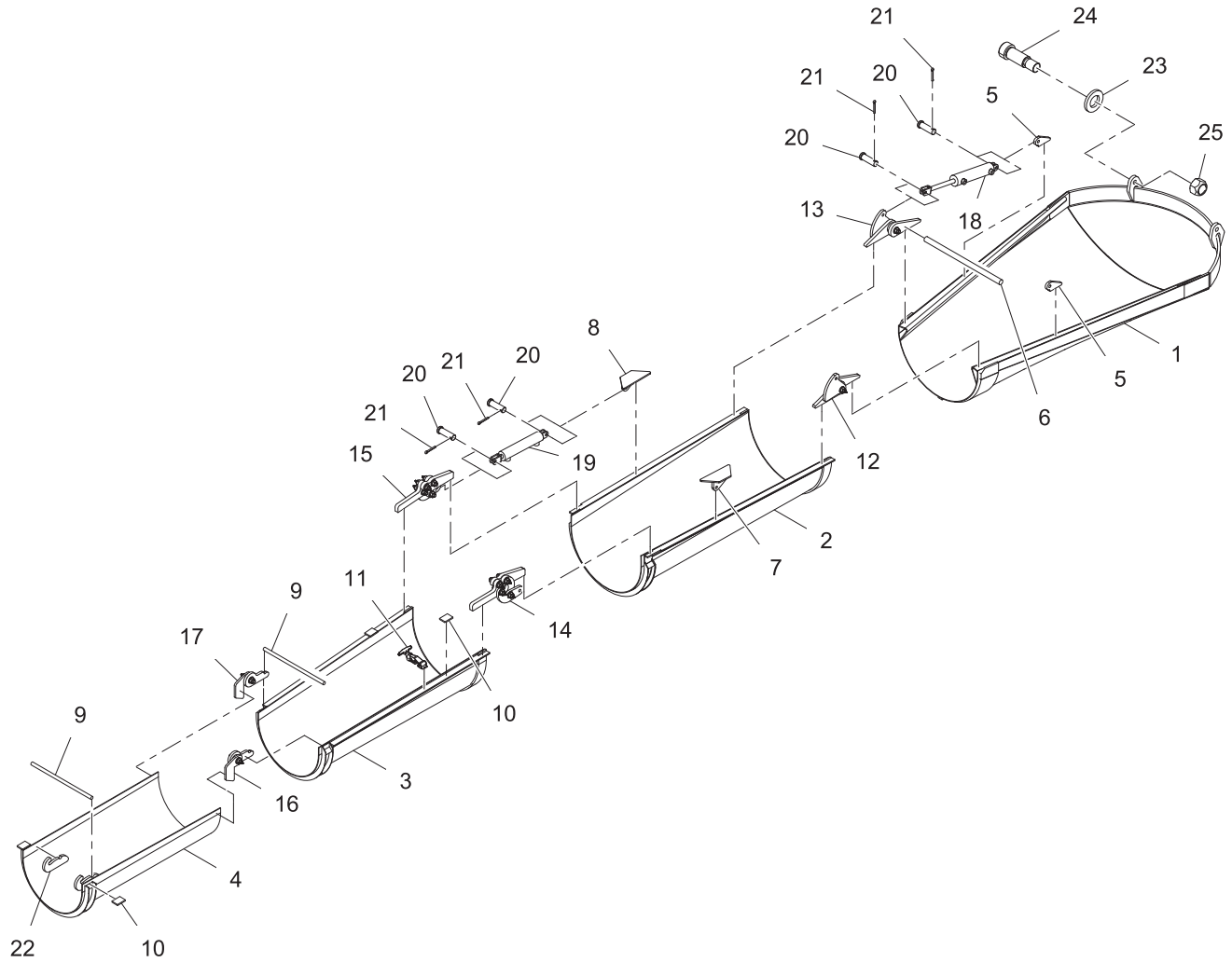


REF	PART NO.	DESCRIPTION	REF	PART NO.	DESCRIPTION
1	13466	ASSY, Head Light	10	40661	4" RND, LED, Stop/Tail/Turn Light
2	24979	LMP-Marker/Turn, 12V, CED, AM	11	40663	4" Rubber Grommet
3	23596	Light, LED, Park/Turn, Amber, Oval	12	23598	Plug, 4.5" LED M/C, #6 Ring Terminal
4	13773	Grommet, Light Mount, Truck Light	13	31430	Light, Marker, Amber, LED W/Gasket
5	11522	Mirror, Heated, 7 X16	14	23601	Plug, Fit 'N' Forget Pigtail For Light
6	32390	Light, Strobe, LED, Class 1	15	33606	Light, Back-Up, LED Round
7	23212	Light, Flood, Top Mount	16	33605	Light, Marker, Red, 2.5" RND, LED
8	23597	Light, LED, CLR/MKR, Amber, RND, 2-1/2"	17	30233	Light, License Plate, LED
9	19537	Grommet, Light, 2.5", MOL 10, Open Back	18	30129	Light, Clearance/Marker, LED, Red, 1 X 4
			19	14771	Reflectors, Red

WHEN ORDERING PARTS, SPECIFY MODEL NUMBER, SERIAL NUMBER AND DESCRIPTION OF PARTS REQUIRED

	<h2>MIXER LIGHTING</h2>	DATE: Released 01-2016	<b>GROUP</b>  <span style="font-size: 2em;">14</span>
		MODEL: FD	
		PAGE: 14.3	

**CHUTES**

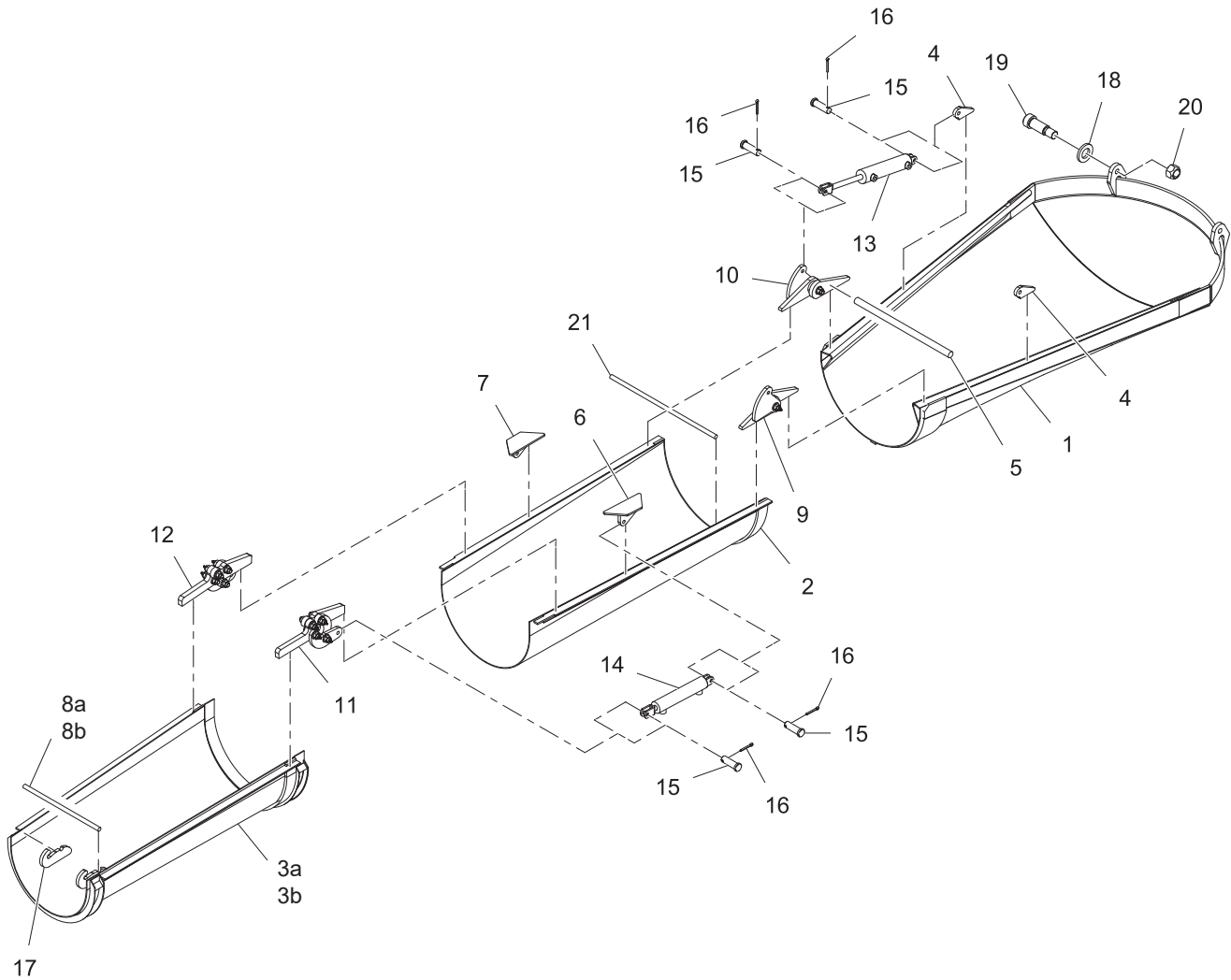


REF	PART NO.	DESCRIPTION	QTY	REF	PART NO.	DESCRIPTION	QTY
1	21847	WDMT, Main Chute, Hydraulic .....	1	10	22907	Rest, #4 Section Manual Flip Chute ...	4
2	22867	WDMT, Chute, HYD Flip, #2 Section..	1	11	13093	Latch, Battery Box .....	1
3	22871	WDMT, Chute, HYD Flip, #3 Section, 16" .....	1	12	28744	ASSY, Hinge, #1, LH .....	1
	22880	WDMT, #3 Paver Hydraulic Flip Chute .....	1	13	28745	ASSY, Hinge, #1, RH .....	1
4	22873	WDMT, #4 Advance Manual Flip Chute .....	1	14	28746	ASSY, Hinge, #2, LH .....	1
	22988	WDMT, #4 Paver Manual Flip Chute..	1	15	28747	ASSY, Hinge, #2, RH .....	1
5	21840	Lug, Main Chute Hydraulic Cylinder...	2	16	28748	ASSY, Hinge, #3, LH .....	1
6	20585	Rod, Main Chute Hinge Support .....	1	17	28749	ASSY, Hinge, #3, RH .....	1
7	22863	WDMT, #2 SEC RDSD HYD Pivot Base .....	1	18	31683	CYL, Chute Flip, Offset Ports.....	2
8	22864	WDMT, #2 SEC CBSD HYD Pivot Base .....	1	19	16099	CYL, Chute, HYD, Fold Down.....	2
9	20704	Rod, Support, Chute Extension, 15-3/4" .....	2	20	19205	Pin, Clevis, 1/2 X 1-1/2" .....	8
	20705	Rod, Chute Support 17-1/2" .....	2	21	19060	Pin, Cotter, 1/8" X 1", GR2 .....	8
				22	12664	Hook, Main Chute .....	2
				23	19039	Washer, Structural, 3/4", ASTM, A325, PF .....	2
				24	19097	Bolt, Stripper, 3/4 X 1-1/2 AL .....	2
				25	19351	Nut, Lock, Top, 5/8"-11, ZP, GRC.....	2
				26*	19515	Liner, Main Chute.....	1

\*ITEM 26 IS NOT SHOWN IN THE ILLUSTRATION

WHEN ORDERING PARTS, SPECIFY MODEL NUMBER, SERIAL NUMBER AND DESCRIPTION OF PARTS REQUIRED

	<p><b>CHUTE, HYD FLIP, 4 SECTION</b></p>	DATE: Released 01-2016	<p><b>GROUP</b> <b>15</b></p>
		MODEL: FD	
		PAGE: 15.1	



REF	PART NO.	DESCRIPTION	QTY	REF	PART NO.	DESCRIPTION	QTY
1	21847	WDMT, Main Chute, Hydraulic	1	9	28744	ASSY, Hinge, #1, LH	1
2	22867	WDMT, Chute, HYD Flip, #2 Section	1	10	28745	ASSY, Hinge, #1, RH	1
3	22871	WDMT, Chute, HYD Flip, #3 Section, 16"	1	11	28746	ASSY, Hinge, #2, LH	1
	22880	WDMT, #3 Paver Hydraulic Flip Chute	1	12	28747	ASSY, Hinge, #2, RH	1
4	21840	Lug, Main Chute Hydraulic Cylinder	2	13	31683	CYL, Chute Flip, Offset Ports	2
5	20585	Rod, Main Chute Hinge Support	1	14	16099	CYL, Chute, HYD, Fold Down	2
6	22863	WDMT, #2 SEC RSD HYD Pivot Base	1	15	19205	Pin, Clevis, 1/2 X 1-1/2"	8
7	22864	WDMT, #2 SEC CBSD HYD Pivot Base	1	16	19060	Pin, Cotter, 1/8" X 1", GR2	8
8	20704	Rod, Support, Chute Extension, 15-3/4"	1	17	12664	Hook, Main Chute	2
	20705	Rod, Chute Support 17-1/2"	1	18	19039	Washer, Structural, 3/4", ASTM, A325, PF	2
				19	19097	Bolt, Stripper, 3/4 X 1-1/2 AL	2
				20	19351	Nut, Lock, Top, 5/8"-11, ZP, GRC	2
				21	22861	Rod, #2 Section Chute Support 22"	1
				22*	19515	Liner, Main Chute	1

\*ITEM 22 IS NOT SHOWN IN THE ILLUSTRATION

WHEN ORDERING PARTS, SPECIFY MODEL NUMBER, SERIAL NUMBER AND DESCRIPTION OF PARTS REQUIRED

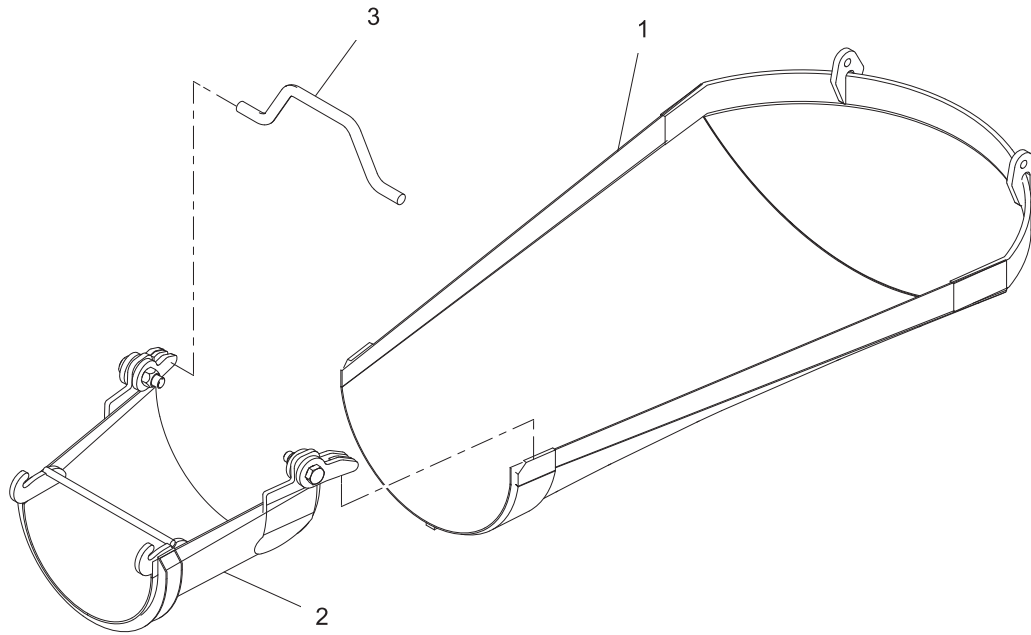


**CHUTE, HYD FLIP, 3 SECTION**

DATE: Released 01-2016  
 MODEL: FD  
 PAGE: 15.2

GROUP

**15**



REF	PART NO.	DESCRIPTION	QTY	REF	PART NO.	DESCRIPTION	QTY
1	22848	WDMT, Main Chute, 44", STD.....	1	3	30225	BRKT, Support, Manual Main Chute...	1
2	33513	WDMT, Chute Flip, Standard, 2012....	1	4*	19515	Liner Main Chute - Weld IN.....	1
	33514	WDMT, Chute, Flip, Paver, MY12.....	1	5*	20829	Liner, Flip Chute - Weld IN - Paver .....	1

\* ITEMS 4 & 5 ARE NOT SHOWN IN THE ILLUSTRATION

WHEN ORDERING PARTS, SPECIFY MODEL NUMBER, SERIAL NUMBER AND DESCRIPTION OF PARTS REQUIRED

	<p><b>MANUAL FLIP CHUTES</b></p>	DATE: Released 01-2016	<p><b>GROUP</b> <b>15</b></p>
		MODEL: FD	
		PAGE: 15.3	



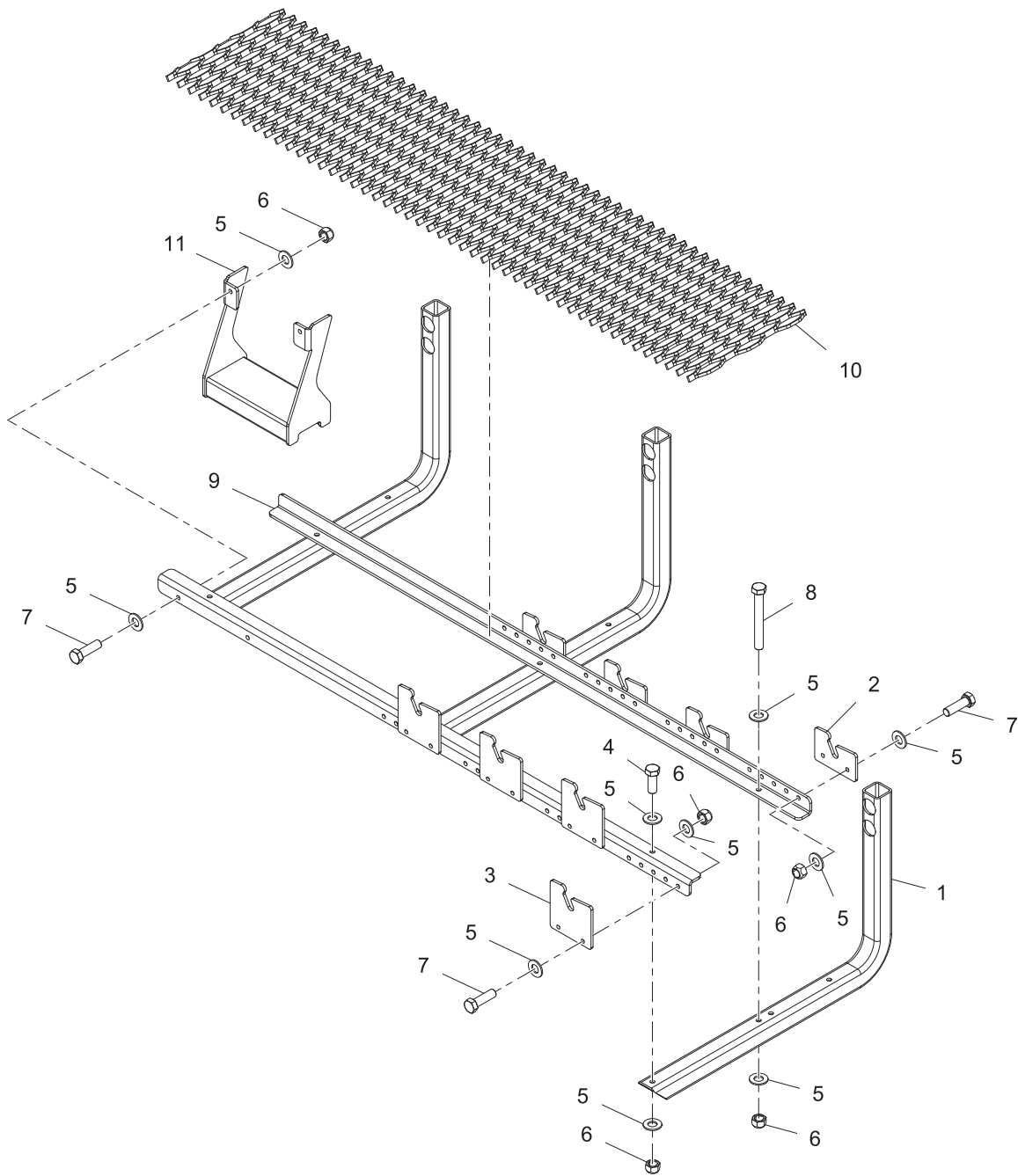
<u>REF</u>	<u>PART NO.</u>	<u>DESCRIPTION</u>	<u>REF</u>	<u>PART NO.</u>	<u>DESCRIPTION</u>
1	12666	Extension Chute, STL, Terex-14GA	7	23521	Chute, EXT, Terex PREM, W/LNR, UNPN
2	15316	Extension Chute, Paver, STL, 18"	8	32478	EXT CHT, STD AL W/HD AL Liner, ERNST
3	12674	Extension Chute, STD, ALUM, 16"	9	17051	WDMT, Chute, Slip Form, STL, 16" X 2'
4	18068	Extension Chute, Paver, AL	10	26971	WDMT, Chute, Slip Form, AL, 16" X 2'
5	20299	Extension Chute, STD, AL W/AL Liner	11	28780	WDMT, Chute, Stub, 16", Advance, STL
6	24133	Extension Chute, Paver AL, AL W/AL Liner	12	28778	WDMT, Chute, Stub, 18", Paver, STL

WHEN ORDERING PARTS, SPECIFY MODEL NUMBER, SERIAL NUMBER AND DESCRIPTION OF PARTS REQUIRED

	<b>EXTENSION CHUTES</b>	DATE: Released 01-2016	<b>GROUP 15</b>
		MODEL: FD	
		PAGE: 15.4	



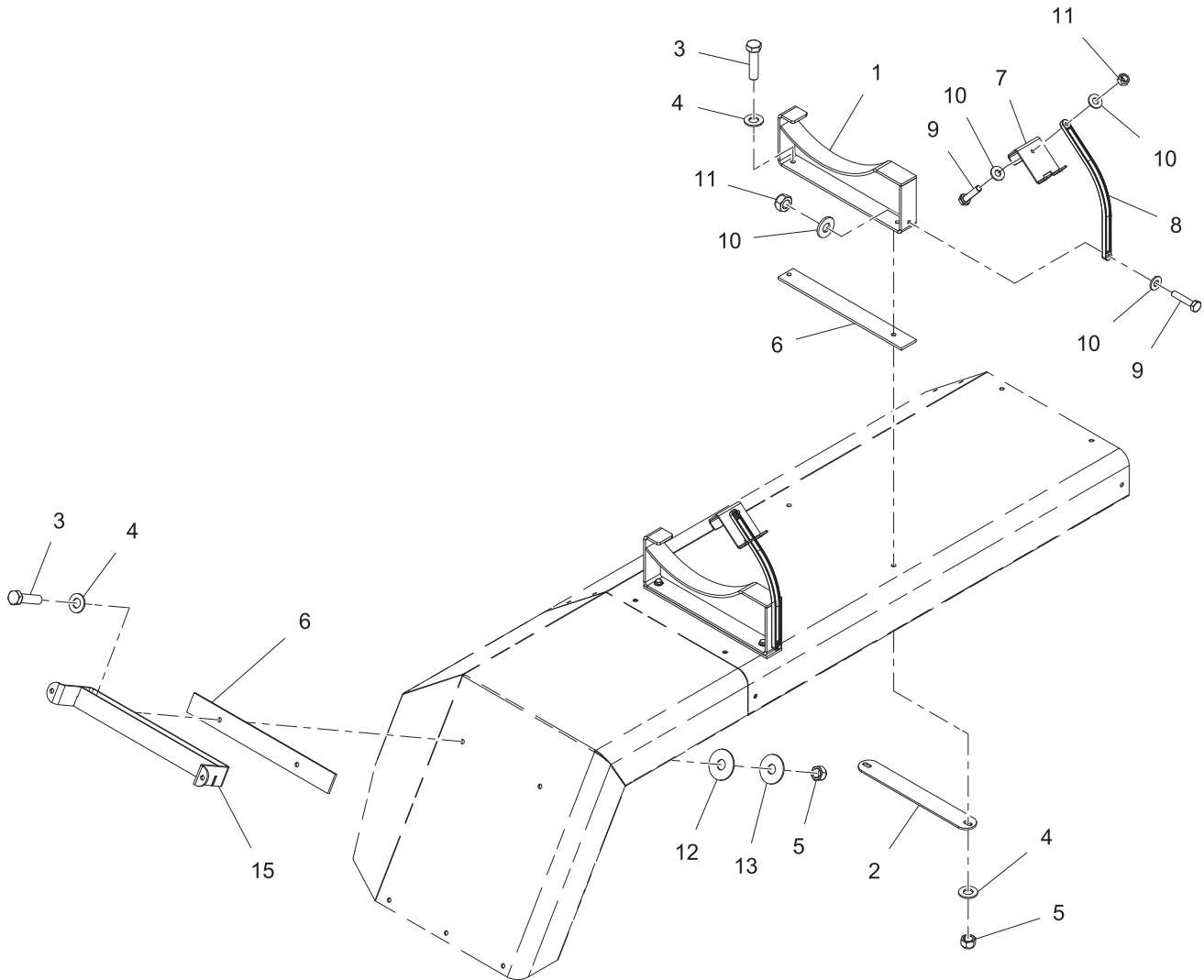
# CHUTES



REF	PART NO.	DESCRIPTION	REF	PART NO.	DESCRIPTION
1	31392	BRKT, Chute Carrier, 2008	10	32389	Tray, Chute Carrier, 14.25 X 28, STD
2	31488	Mount, Chute Carrier, Low, Inside		32388	Tray, Chute Carrier, 15.75 X 28, Paver
3	31489	Mount, Chute Carrier, High, Outside		34089	Tray, Chute Carrier, 14.25 X 38, STD
4	19105	Bolt, HHCS, 3/8-16 X 1, GR8		34088	Tray, Chute Carrier, 15.75 X 38, Paver
5	19272	Washer, Flat, 3/8 A325		32109	Tray, Chute Carrier, 14.25 X 46, STD
6	19353	Nut, Auto Style, 3/8-16, GRC		32108	Tray, Chute Carrier, 15.75 X 46, Paver
7	19107	Bolt, HHCS, 3/8-16 X 1-1/4, GR8		34091	Tray, Chute Carrier, 14.25 X 53, STD
8	19148	Bolt, HHCS, 3/8-16 X 3, GR8		34090	Tray, Chute Carrier, 15.75 X 53, Paver
9	32391	Rail, Chute Carrier, FD, 28"		31495	Tray, Chute Carrier, 14.25 X 65, STD
	34086	Rail, Chute Carrier, FD, 38"		32397	Tray, Chute Carrier, 15.75 X 65, Paver
	32394	Rail, Chute Carrier, FD, 46"	11	31497	WDMT Step Chute Carrier
	34087	Rail, Chute Carrier, FD, 53"			
	31487	Rail, Chute Carrier, FD, 65"			

WHEN ORDERING PARTS, SPECIFY MODEL NUMBER, SERIAL NUMBER AND DESCRIPTION OF PARTS REQUIRED

	<h2>CHUTE CARRIER</h2>	DATE: Released 01-2016	<b>GROUP</b>  <h1>15</h1>
		MODEL: FD	
		PAGE: 15.5	



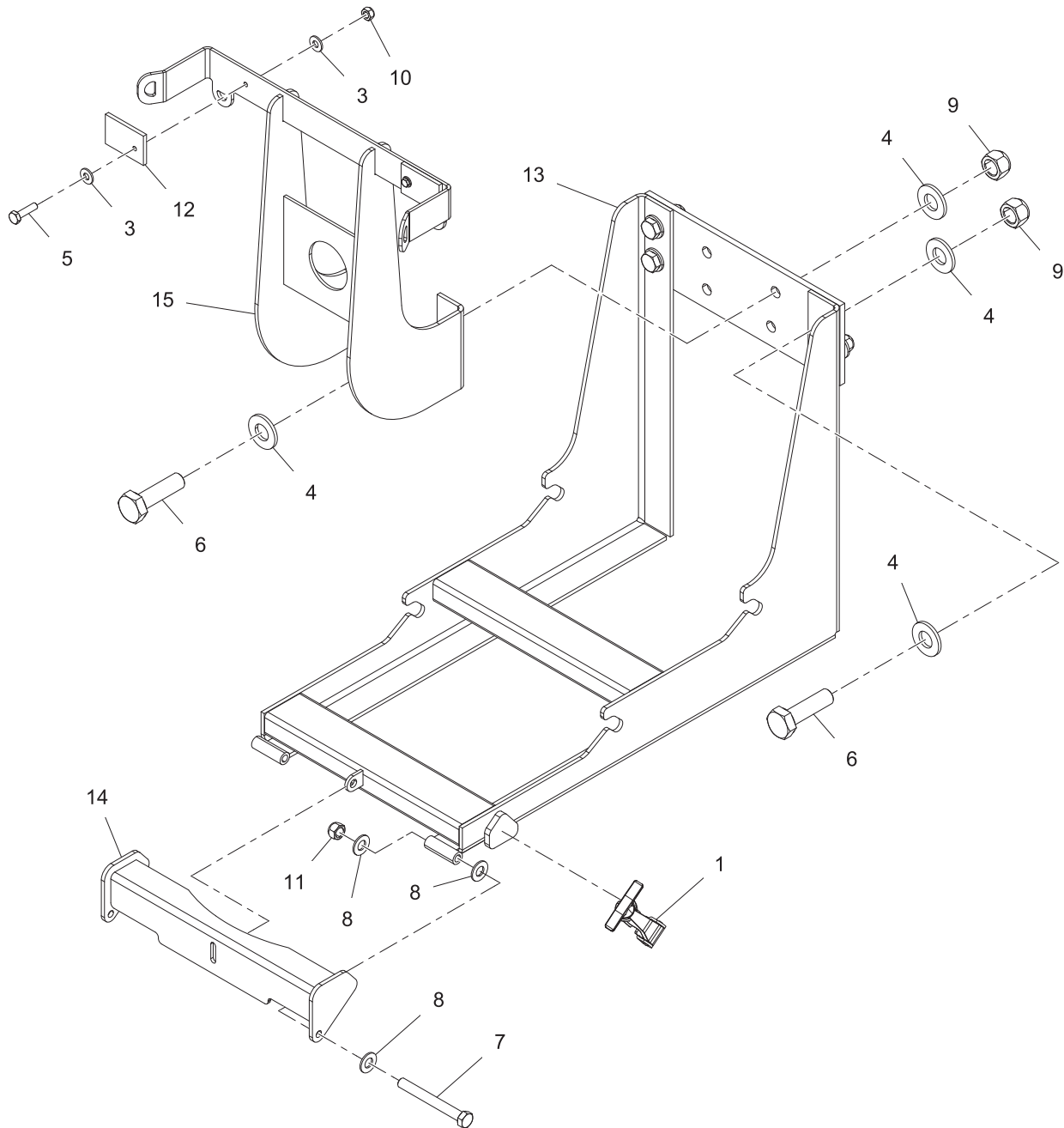
REF	PART NO.	DESCRIPTION	REF	PART NO.	DESCRIPTION
1	26973	WDMT, Chute Holder, RR Fender	12	19308	Washer, Flat, 3/8", PVC
2	30323	Plate, Backing, Chute Saddle	13	22288	Washer, FNDR, 3/8" X 1-1/4", ZP
3	19109	Bolt, HHCS, 3/8"-16 X 1-1/2", PF, GR8	14*	16903	Strap, Rubber Chute Tie Down, 31"
4	19045	Washer, Flat, 3/8", GR2		27034	Strap, Rubber, Chute Tie Down, 41"
5	19353	Nut, Lock, Top, 3/8"-16, ZP, GRC		32469	Strap, Ratchet, Chute Tie-Down
6	20300	Pad, Rubber, 1/4" X 2"	15	30313	WDMT, Chute Rest, Rear Fender, ADV AL
7	32217	Chute Hold-Down Clamp		30315	WDMT, Chute Rest, Rear Fender, AL PVR
8	16902	Strap, Rubber, 15"		32928	WDMT, Chute Rest, Tall, RR Fender, ADV AL
9	19174	Bolt, HHCS, 1/4"-20 X 1-1/4", PF, GR8		34011	WDMT, Chute Rest, RR FNDR, Paver, Tall
10	19053	Washer, Flat, 1/4", SAE, ZP			
11	19352	Nut, Lock, Top, 1/4"-20, ZP, GRC			

\* ITEM 14 IS NOT SHOWN IN THE ILLUSTRATION

WHEN ORDERING PARTS, SPECIFY MODEL NUMBER, SERIAL NUMBER AND DESCRIPTION OF PARTS REQUIRED

	<h2>CHUTE REST &amp; MOUNTS</h2>	DATE: Released 01-2016	<b>GROUP</b>  <span style="font-size: 2em;"><b>15</b></span>
		MODEL: FD	
		PAGE: 15.6	

# CHUTES



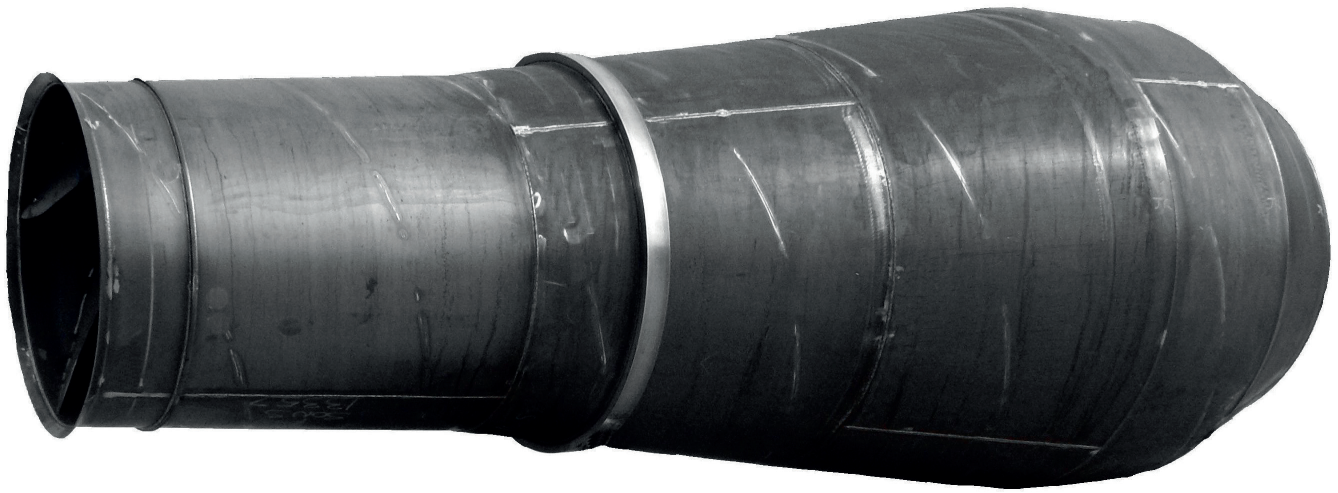
REF	PART NO.	DESCRIPTION	QTY	REF	PART NO.	DESCRIPTION	QTY
1**	13093	Latch, Battery Box .....	1	10	19352	Nut, Lock, Top, 1/4"-20, ZP, GRC .....	2
2*	16903	Strap, Chute Tie Down, 31" .....	1	11	19353	Nut, Lock, Top, 3/8"-16, ZP, GRC .....	2
3	19053	Washer, Flat, 1/4", SAE, ZP .....	4	12	20300	Pad, Rubber, 1/4 X 2" .....	2
4	19086	Washer, Flat, 5/8" .....	16	13	30952	WDMT, Chute Holder, Twin, Locking .....	1
5	19127	Bolt, HHCS, 1/4"-20 X 1", PF, GR8 .....	2	14	30953	WDMT, Chute Lock Plate, Premier Chutes .....	1
6	19157	Bolt, HHCS, 5/8"-11 X 2-1/4", PF, GR8 .....	8		31555	WDMT, Chute Locking Plate, 16" STL STD Chute .....	1
7	19242	Bolt, HHCS, 3/8"-16 X 3-1/4", YZ, GR8 .....	2	15	31028	WDMT, Chute Holder Support .....	1
8	19272	Washer, Flat, 3/8", SAE, HHS, PF .....	6				
9	19351	Nut, Lock, Top, 5/8"-11, ZP, GRC .....	8				

\* ITEM 2 IS NOT SHOWN IN THE ILLUSTRATION

\*\*LATCH TO BE PLACED AND WELD WITH 30952 & 30953

WHEN ORDERING PARTS, SPECIFY MODEL NUMBER, SERIAL NUMBER AND DESCRIPTION OF PARTS REQUIRED

	<h2>VERTICAL CHUTE HOLDER</h2>	DATE: Released 01-2016	<b>GROUP</b>  <h1>15</h1>
		MODEL: FD	
		PAGE: 15.7	



Front Discharge Drum



Rear Discharge Drum

Terex® mixer drums are built with an abrasion resistant (AR) material that provides longer lasting performance. Terex® Front and Rear Discharge drums and fins are available in:

- 3/16-inch AR 230,
- 3/16-inch AR 400 Brinell, and
- 1/4-inch AR 230.


The standard Rear Discharge drum is made with AR 230 - 1/4 mixing fins.

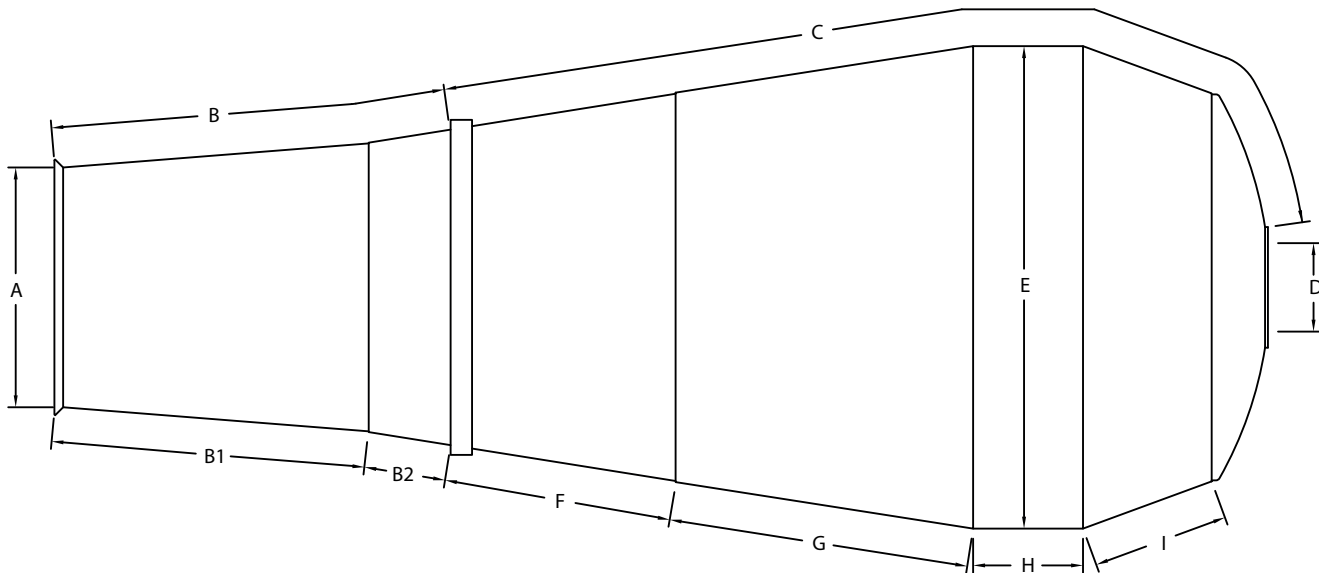
Also available on both the Front Discharge and Rear Discharge is an optional 1/8-inch AR 450 drum with 3/16-inch AR 230 fins. The weight advantage of this drum is 1,000 pounds less, allowing for more payloads while providing superior wear and durability.

As an added service, our Terex service technicians are available to perform measuring, thickness testing and installations at your site. Fin kits to rebuild your drum are available for customer installation, or custom installation by Terex personnel, and are size specific.

***The best way to protect your investment and keep costs down is to use genuine OEM Terex replacement parts manufactured to your mixer's exact specifications to maximize productivity. For more information or to place an order, call toll free (800) 433-6691 or fax (260) 497-0939.***

WHEN ORDERING PARTS, SPECIFY MODEL NUMBER, SERIAL NUMBER AND DESCRIPTION OF PARTS REQUIRED

	<b>FRONT &amp; REAR DISCHARGE MIXER REPLACEMENT DRUMS</b>	DATE: Released 01-2016	<b>GROUP 16</b>
		MODEL: FD	
		PAGE: 16.1	



**Dimensions**

- A. \_\_\_\_\_ Inside Drum
- B. \_\_\_\_\_ From Front Of Drum Including Flange To Front Of Roller Track
- B1. \_\_\_\_\_ Flange To Seam
- B2. \_\_\_\_\_ Seam To Front Of Track
- C. \_\_\_\_\_ Follow Curvature Of Drum From Front Of Roller Track To Drum Drive Flange On Head
- D. \_\_\_\_\_ Inside Diameter
- E. \_\_\_\_\_ Circumference Of Drum
- F. \_\_\_\_\_ Front Of Track To Seam
- G. \_\_\_\_\_ Seam To Seam
- H. \_\_\_\_\_ Seam To Seam
- I. \_\_\_\_\_ Seam To Seam

Number Of Bolts In Flange: \_\_\_\_\_

Mixer Serial Number: \_\_\_\_\_

Mixer Size: \_\_\_\_\_

Mixer Brand: \_\_\_\_\_

Customer Name: \_\_\_\_\_

Street Address: \_\_\_\_\_

City: \_\_\_\_\_

State & Zip: \_\_\_\_\_

Phone #: \_\_\_\_\_

Fax #: \_\_\_\_\_

Contact Name: \_\_\_\_\_

**Drum Configuration**

Drum Shell Thickness:  3/16"  1/4"

Fin Thickness:  3/16"  1/4"

**Options**

Quick Hatch

Twin Hatch

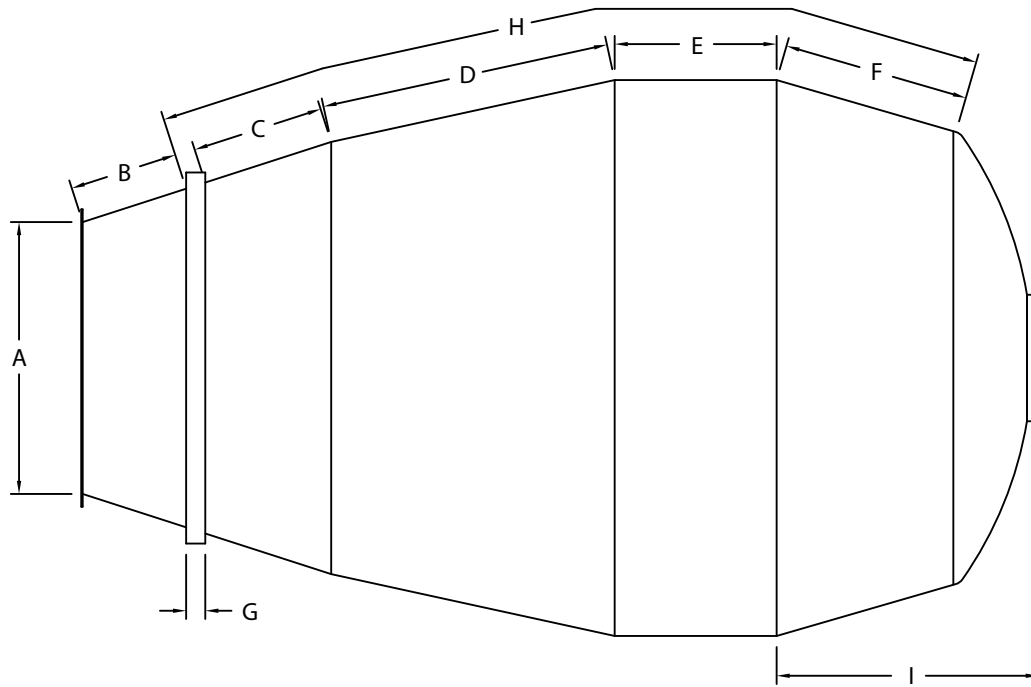
Primed

Painted

Terex Advance Mixer Inc. For information Call (877) 327-2116 Fax 586-601-1904  
 WHEN ORDERING PARTS, SPECIFY MODEL NUMBER, SERIAL NUMBER AND DESCRIPTION OF PARTS REQUIRED

	MEASUREMENT SHEET FRONT DISCHARGE DRUM	DATE: Released 01-2016	GROUP
		MODEL: FD	16
		PAGE: 16.2	





**Dimensions**

- A. \_\_\_\_\_ Inside Opening
- B. \_\_\_\_\_
- C. \_\_\_\_\_
- D. \_\_\_\_\_
- E. \_\_\_\_\_
- F. \_\_\_\_\_
- G. \_\_\_\_\_
- H. \_\_\_\_\_ Follow Curvature Of Drum
- I. \_\_\_\_\_ Straight Line Measurement

Number Of Bolts In Flange: \_\_\_\_\_

Mixer Serial Number: \_\_\_\_\_

Mixer Size: \_\_\_\_\_

Mixer Brand: \_\_\_\_\_

Customer Name: \_\_\_\_\_

Street Address: \_\_\_\_\_

City: \_\_\_\_\_

State & Zip: \_\_\_\_\_

Phone #: \_\_\_\_\_

Fax #: \_\_\_\_\_

Contact Name: \_\_\_\_\_

**Drum Configuration**

Drum Shell Thickness:  3/16"  1/4"

Fin Thickness:  3/16"  1/4"

**Options**

Quick Hatch

Twin Hatch

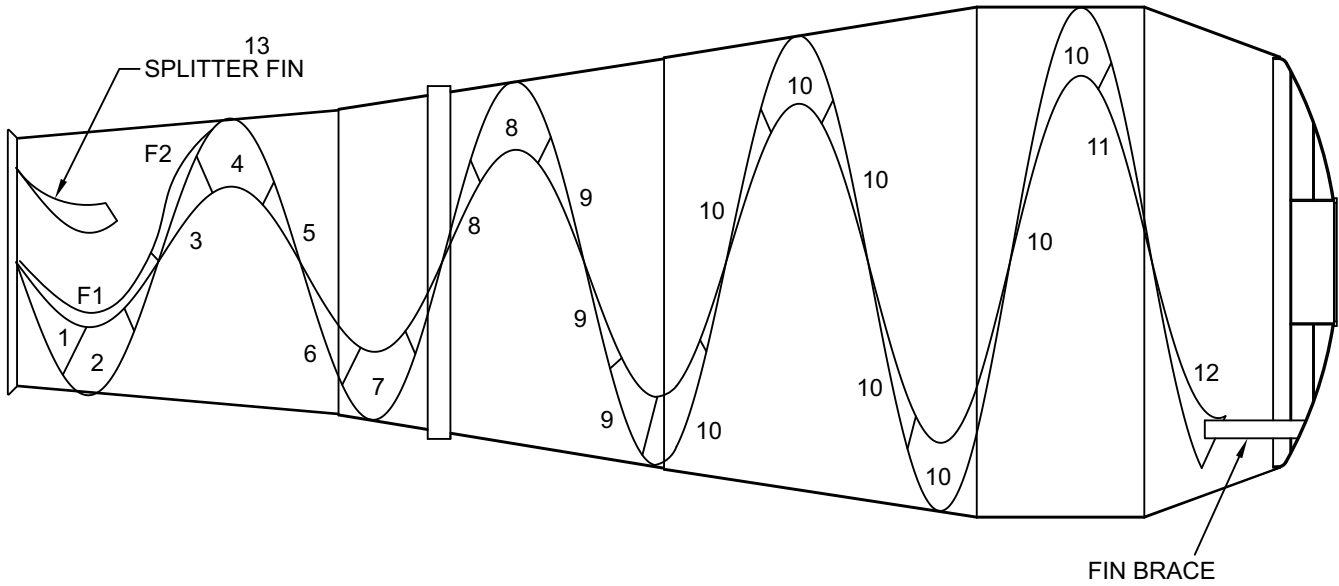
Frt Water Injection

Primed

Painted

Terex Advance Mixer Inc. For information Call (877) 327-2116 Fax 586-601-1904  
 WHEN ORDERING PARTS, SPECIFY MODEL NUMBER, SERIAL NUMBER AND DESCRIPTION OF PARTS REQUIRED

	<b>MEASUREMENT SHEET                  REAR DISCHARGE DRUM</b>	DATE: Released 01-2016	<b>GROUP                  16</b>
		MODEL: FD	
		PAGE: 16.3	



**BARRELS**

Fin Breakdown (Formed Fin Design)-Post 2006 *Effective March 2006						
No	Description	10GA	3/16" AR230	1/4" AR230	3/16" AR400	QTY
1	FIN#1	28703				2
2	FIN#2	28704				2
3	FIN#3	28705				2
4	FIN#4		28706			2
5	FIN#5		28707			2
6	FIN#6		28710			2
7	FIN#7		28711			2
8	FIN#8		29055			4
9	FIN#9		28712	29121	28720	6
10	FIN#10		28713	29122	28721	16
11	FIN#11		28716	29123	28724	2
12	FIN#12		28717	29124	28725	2
13	SPLITTER FIN	27870				2
F-1	FLIGHT#1	28708				2
F-2	FLIGHT#2	28709				2
	FIN BRACE				16352	2
	UNIVERSAL CAP		31374			AR

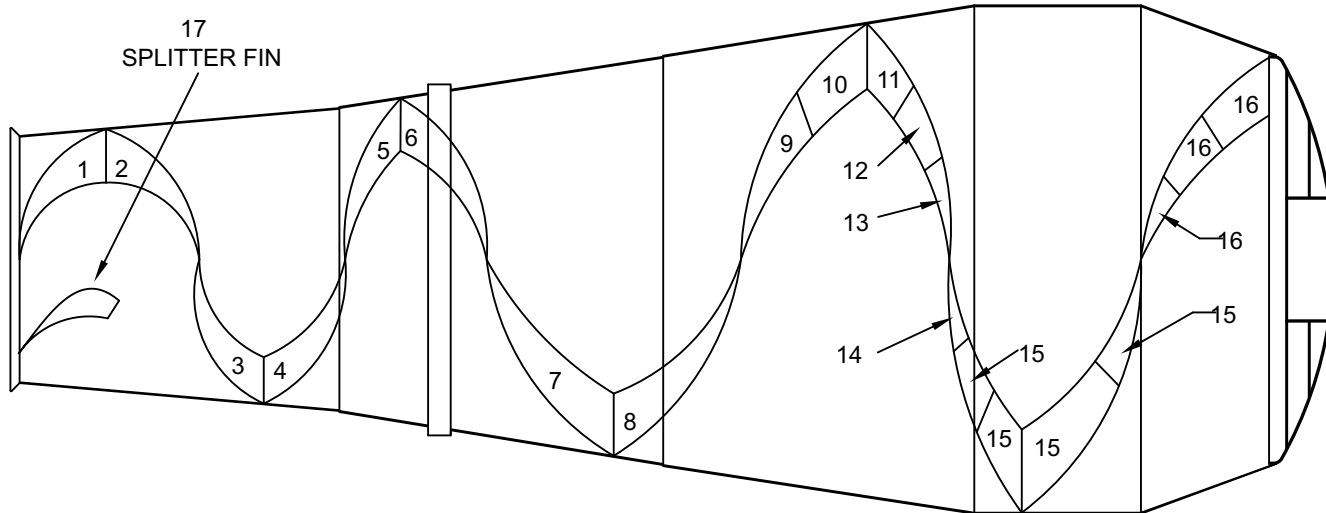
WHEN ORDERING PARTS, SPECIFY MODEL NUMBER, SERIAL NUMBER AND DESCRIPTION OF PARTS REQUIRED



**FIN BREAKDOWN  
(FORMED FIN DESIGN)  
POST MARCH 2006**

DATE: Released 01-2016  
MODEL: FD  
PAGE: 16.4

**GROUP  
16**



Fin Breakdown (T-Blade Configuration) Prior to March 2006						
No	Description	10GA	3/16" AR230	1/4" AR230	3/16" AR400	QTY
1	FIN#1	16332				2
2	FIN#2	16333				2
3	FIN#3	16334				2
4	FIN#4	16335				2
5	FIN#5	16336				2
6	FIN#6	16337				2
7	FIN#7	16338				2
8	FIN#8	16342				2
9	FIN#9	16339				2
10	FIN#10		26572	28570	16343	2
11	FIN#11		26573	28574	16340	2
12	FIN#12		26574	28577	16344	2
13	FIN#13		26575	28580	16341	2
14	FIN#14		26576	28583	16358	2
15	FIN#15		26568	28586	16361	8
16	FIN#16		26569	28589	16362	4
17	SPLITTER FIN	16349				2
No	Description	10GA-6" Tall	10GA-10" Tall		Part No.	QTY
1a*	FLIGHT #4 - 51"	19118	27834			8
2a*	FLIGHT #3 - 41"	19119	27833			2
3a*	FLIGHT #2 - 40"	19120	27832			2
4a*	FLIGHT #1B - 36"	19121	27831			2
5a*	FLIGHT #1B - 34"	19122	27830			2
6a*	DRIP RING				18649	1
7a*	WEAR BAND				18620	2
8a*	NOSE RING				28908	2

\* ITEMS ARE NOT SHOWN IN THE ILLUSTRATION

WHEN ORDERING PARTS, SPECIFY MODEL NUMBER, SERIAL NUMBER AND DESCRIPTION OF PARTS REQUIRED



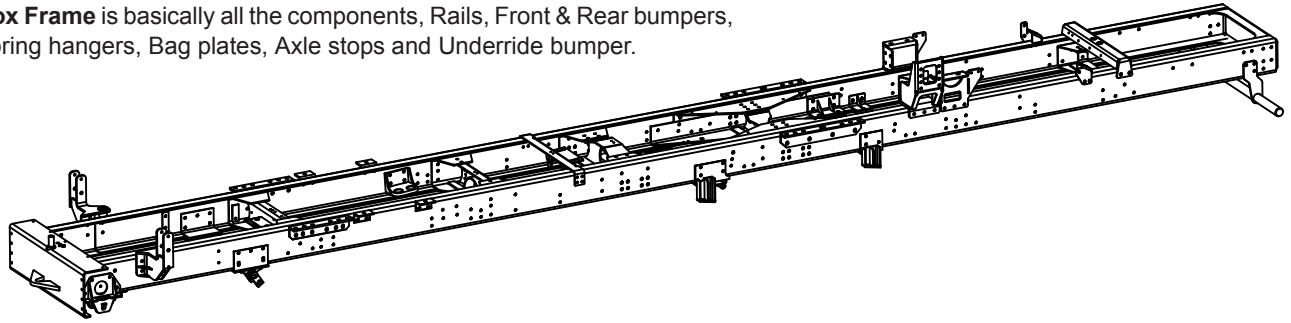
**FIN BREAKDOWN  
(T-BLADE CONFIGURATION)  
PRE MARCH 2006**

DATE: Released 01-2016  
MODEL: FD  
PAGE: 16.5

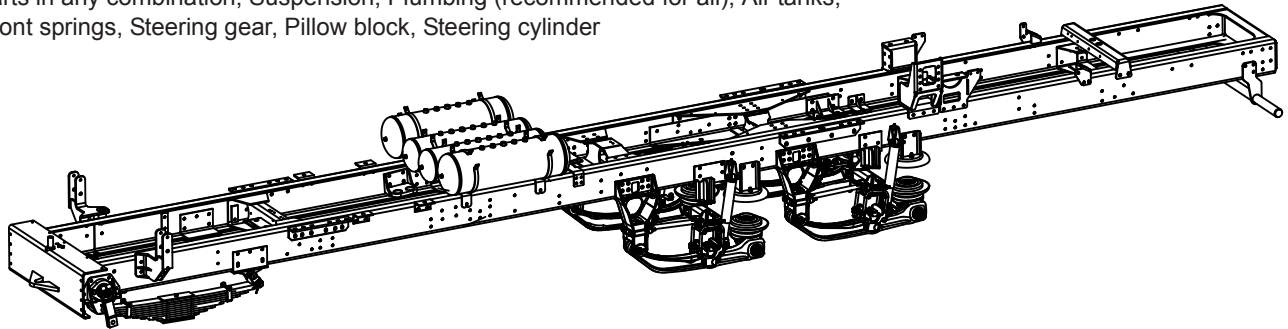
**GROUP  
16**

**TEREX PROVIDES A FULL LINE OF CUSTOM BUILT BOX FRAMES FOR SPECIFIC AXLE CONFIGURATION**

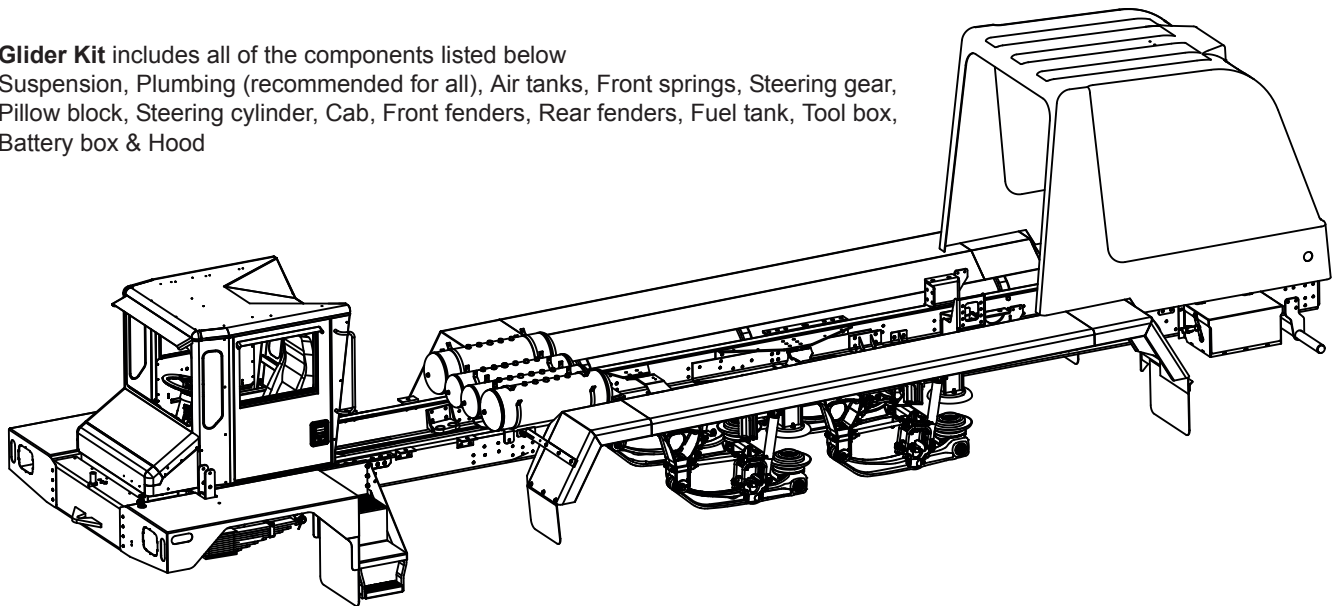
**Box Frame** is basically all the components, Rails, Front & Rear bumpers, Spring hangers, Bag plates, Axle stops and Underride bumper.



**Box Frame Plus (Service Frame)** is basically a box frame with additions of the below listed parts in any combination, Suspension, Plumbing (recommended for all), Air tanks, Front springs, Steering gear, Pillow block, Steering cylinder



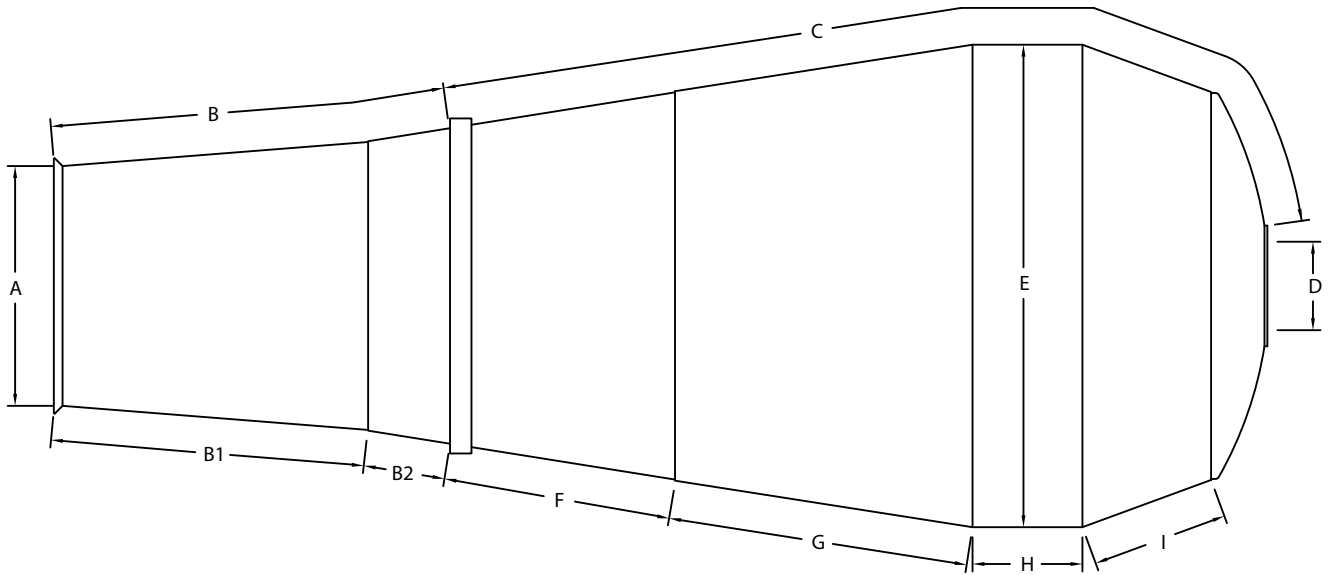
**Glider Kit** includes all of the components listed below  
Suspension, Plumbing (recommended for all), Air tanks, Front springs, Steering gear, Pillow block, Steering cylinder, Cab, Front fenders, Rear fenders, Fuel tank, Tool box, Battery box & Hood



**Parts sold separately:**  
Upright, Main and Flip chutes, Hydraulic Flip chutes, Charge Hopper, Water Tank, Front Pedestal & Rear Pedestal

WHEN ORDERING PARTS, SPECIFY MODEL NUMBER, SERIAL NUMBER AND DESCRIPTION OF PARTS REQUIRED

	<p><b>BOX FRAME KITS</b></p>	DATE: Released 01-2016	<p><b>GROUP</b> <b>17</b></p>
		MODEL: FD	
		PAGE: 17.1	



**Dimensions**

- A. \_\_\_\_\_ Inside Drum
- B. \_\_\_\_\_ From Front Of Drum Including Flange To Front Of Roller Track
- B1. \_\_\_\_\_ Flange To Seam
- B2. \_\_\_\_\_ Seam To Front Of Track
- C. \_\_\_\_\_ Follow Curvature Of Drum From Front Of Roller Track To Drum Drive Flange On Head
- D. \_\_\_\_\_ Inside Diameter
- E. \_\_\_\_\_ Circumference Of Drum
- F. \_\_\_\_\_ Front Of Track To Seam
- G. \_\_\_\_\_ Seam To Seam
- H. \_\_\_\_\_ Seam To Seam
- I. \_\_\_\_\_ Seam To Seam

- Number Of Bolts In Flange: \_\_\_\_\_
- Mixer Serial Number: \_\_\_\_\_
- Mixer Size: \_\_\_\_\_
- Mixer Brand: \_\_\_\_\_
- Customer Name: \_\_\_\_\_
- Street Address: \_\_\_\_\_
- City: \_\_\_\_\_
- State & Zip: \_\_\_\_\_
- Phone #: \_\_\_\_\_
- Fax #: \_\_\_\_\_
- Contact Name: \_\_\_\_\_

**Drum Configuration**

Drum Shell Thickness:  3/16"  1/4"

Fin Thickness:  3/16"  1/4"

**Options**

Quick Hatch

Twin Hatch

Primed

Painted

Terex Advance Mixer Inc. For information Call (877) 327-2116 Fax 586-601-1904  
 WHEN ORDERING PARTS, SPECIFY MODEL NUMBER, SERIAL NUMBER AND DESCRIPTION OF PARTS REQUIRED



**MEASUREMENT SHEET  
 FRONT DISCHARGE DRUM**

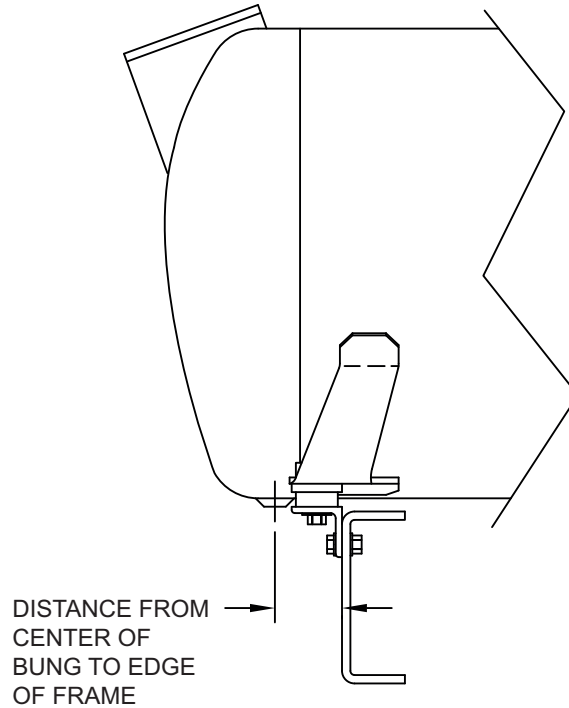
DATE: Released 01-2016  
 MODEL: FD  
 PAGE: 18.1

**GROUP  
 18**





WATER TANK SPEC SHEET



Trk#: \_\_\_\_\_ # of Axles: \_\_\_\_\_

# of Chutes in Pan: \_\_\_\_\_

Fill Neck:

- Roadside                       Curbside                       Dual Fill
- One Handle                       Two Handle (1 each side)                       No Handle(s)

New Underside Plumbing Assembly:

- No                       Yes

Type of Mounting Feet:

- New Style (Outside of Frame)
- Old Style (On Top of Frame)

Tank Size:

- 150 Gal.                       200 Gal.                       250 Gal.

Material:

- Steel
- Aluminium

Site Guage:

- Roadside
- Curbside

Customer Name: \_\_\_\_\_

Ship To: \_\_\_\_\_

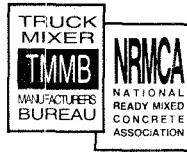
City: \_\_\_\_\_ St: \_\_\_\_\_ Zip: \_\_\_\_\_

Customer PO#: \_\_\_\_\_ Terex Order # \_\_\_\_\_

# TRUCK MIXER MANUFACTURERS BUREAU

Affiliated with National Ready Mixed Concrete Association

900 SPRING STREET  
SILVER SPRING, MD. 20910



Telephone: (301) 587-1400

FAX: 585-4219

*Peter T. Vlahos., Executive Secretary*

## Request for Replacement of Lost or Damaged Rating Plate

### TO BE COMPLETED BY MIXER OWNER:

The undersigned company is the owner of the ready mixed concrete truck or trailer with a rated mixer capacity of \_\_\_\_\_ cubic yards, to which was attached a rating plate issued by the Truck Mixer Manufacturers Bureau bearing NRMCA Registry No.\_\_\_\_\_. This mixer was manufactured by \_\_\_\_\_ and bears manufacturer's Serial No.\_\_\_\_\_.

Said rating place was stolen\_\_\_\_, lost\_\_\_\_, destroyed\_\_\_\_, damaged\_\_\_\_. I hereby request that the Truck Mixer Manufacturers Bureau issue a replacement rating plate for this mixer.

-----  
(NAME OF COMPANY)

-----  
(STREET)

-----  
(CITY)

(STATE)

(ZIP)

-----  
(AUTHORIZED OFFICER)

(TITLE)

The above should be filled out and forwarded to the mixer manufacturer with check *made payable to the Truck Mixer Manufacturers Bureau* covering the charge for the new plate, computed at a rate of \$25 per plate.

- OVER -

**TO BE COMPLETED BY MIXER MANUFACTURER:**

The undersigned member of the Truck Mixer Manufacturers Bureau certifies that it supplied to the owner above named a ready mixed concrete truck mixer of the rated capacity and bearing the rating plate above described. This company will make every effort to assure proper attachment of the replacement plate and certifies that the replacement plate will, to the best of our knowledge, be attached to the standard mixer described above.

Terex Advance Mixer, Inc.

-----  
(NAME OF MANUFACTURER)

By \_\_\_\_\_

(AUTHORIZED OFFICER)

NOTE: The Bureau recognizes that in rare instances records may have been lost or destroyed so that it is impossible for the owner or the manufacturer to furnish information as to the NRMCA Registry Number of the original plate for which replacement is requested. In such case, the manufacturer must execute the following:

The undersigned member of the Truck Mixer Manufacturers Bureau certifies that the replacement plate requested above will be attached to a standard mixer manufactured by this company, with the rated capacity indicated above, and which did originally carry a Bureau rating plate. It is further certified that this mixer still conforms to the Bureau's Standards and is still entitled to bear a rating plate.

Terex Advance Mixer, Inc.

-----  
(NAME OF MANUFACTURER)

By \_\_\_\_\_

(AUTHORIZED OFFICER)

To the Manufacturer: If NRMCA Registry Number is not available for some reason, please give year mixer was originally shipped: \_\_\_\_\_

---

---

**When Completed -- Please Return With Payment to:**

Attn: Plate Request  
Truck Mixer Manufacturers Bureau  
900 Spring Street  
Silver Spring, MD 20910

FAX: (301) 587-4260  
PHONE: (301) 587-1400

---

---



**Concrete Mixer Truck Speedometer Request Form**

WHITE FACE       BLACK FACE

DATE: \_\_\_\_\_

COMPANY NAME: \_\_\_\_\_

CONTACT NAME: \_\_\_\_\_

PHONE NUMBER: \_\_\_\_\_

FAX NUMBER: \_\_\_\_\_

TRUCK MODEL YEAR: \_\_\_\_\_

FULL TRUCK VIN NUMBER: \_\_\_\_\_

DATE IN SERVICE: \_\_\_\_\_

DATE OF FAILURE: \_\_\_\_\_

MILES TO BE PROGRAMMED: \_\_\_\_\_

HOURS TO BE PROGRAMMED: \_\_\_\_\_

SENDING UNIT LOCATION:  TRANSFER CASE  TRANSMISSION

I CERTIFY THAT THE ABOVE INFORMATION REGARDING MACHINE HOURS AND MILEAGE IS ACCURATE

SHIP TO ADDRESS

PRINTED NAME \_\_\_\_\_ ADDRESS \_\_\_\_\_

SIGNATURE \_\_\_\_\_ CITY \_\_\_\_\_

STATE \_\_\_\_\_ ZIP \_\_\_\_\_

Please complete this form and fax to the Terex Parts Department **FAX: (586) 601-1904**





### CREDIT APPLICATION

Please return by fax to: 586-601-1904 Attn: Bryan Syler

#### NAME & ADDRESS

Legal Company Name: \_\_\_\_\_

DBA: \_\_\_\_\_

Address: \_\_\_\_\_ City: \_\_\_\_\_ St: \_\_\_\_\_ Zip: \_\_\_\_\_

Telephone: \_\_\_\_\_ Fax: \_\_\_\_\_ E-mail: \_\_\_\_\_

In Business Since: \_\_\_\_\_ A/P: Contact: \_\_\_\_\_

#### DELIVERY ADDRESS

Address \_\_\_\_\_

City \_\_\_\_\_

Zip \_\_\_\_\_

TAXABLE     NON-TAXABLE / IF TAX-EXEMPT, TAX EXEMPT CERTIFICATE MUST BE PROVIDED

#### BANK REFERENCES

Institution Name: \_\_\_\_\_

Address: \_\_\_\_\_ City: \_\_\_\_\_ St: \_\_\_\_\_ Zip: \_\_\_\_\_

Telephone: \_\_\_\_\_ Fax: \_\_\_\_\_ Contact: \_\_\_\_\_

#### TRADE REFERENCES:

Company Name: \_\_\_\_\_

Address: \_\_\_\_\_ City: \_\_\_\_\_ St: \_\_\_\_\_ Zip: \_\_\_\_\_

Telephone: \_\_\_\_\_ Fax: \_\_\_\_\_ Contact: \_\_\_\_\_

Company Name: \_\_\_\_\_

Address: \_\_\_\_\_ City: \_\_\_\_\_ St: \_\_\_\_\_ Zip: \_\_\_\_\_

Telephone: \_\_\_\_\_ Fax: \_\_\_\_\_ Contact: \_\_\_\_\_

Company Name: \_\_\_\_\_

Address: \_\_\_\_\_ City: \_\_\_\_\_ St: \_\_\_\_\_ Zip: \_\_\_\_\_

Telephone: \_\_\_\_\_ Fax: \_\_\_\_\_ Contact: \_\_\_\_\_

I certify the information contained in this credit application is complete and accurate. I further understand the information provided above will be used for the purpose of obtaining credit with Mixer & Plant Parts Mfg. I/We authorize Mixer & Plant Parts Mfg. to investigate the references listed and perform a general credit check as it pertains to the applicant's financial responsibility.

Name: \_\_\_\_\_ Date: \_\_\_\_\_

Print Name: \_\_\_\_\_ Title: \_\_\_\_\_













